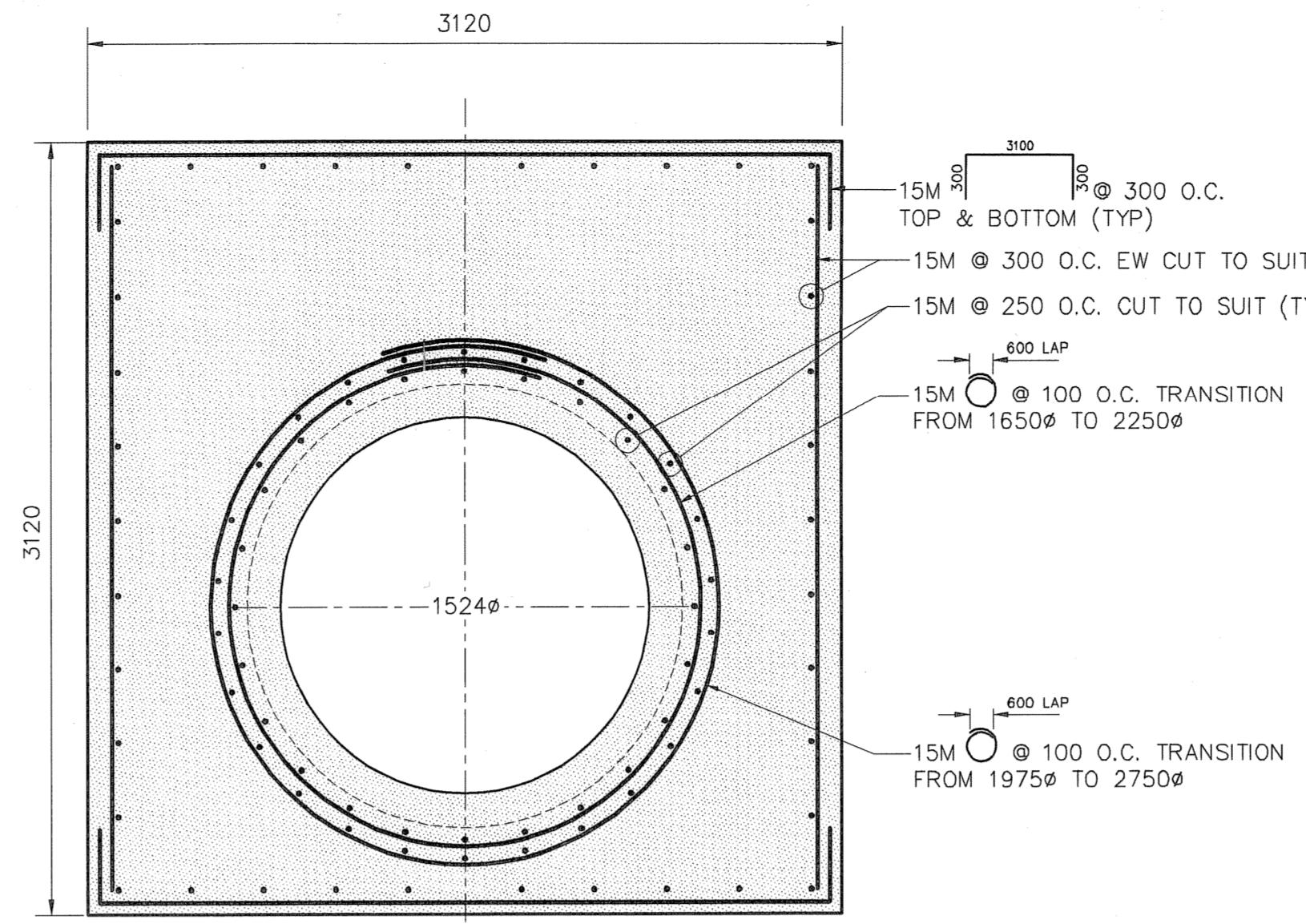
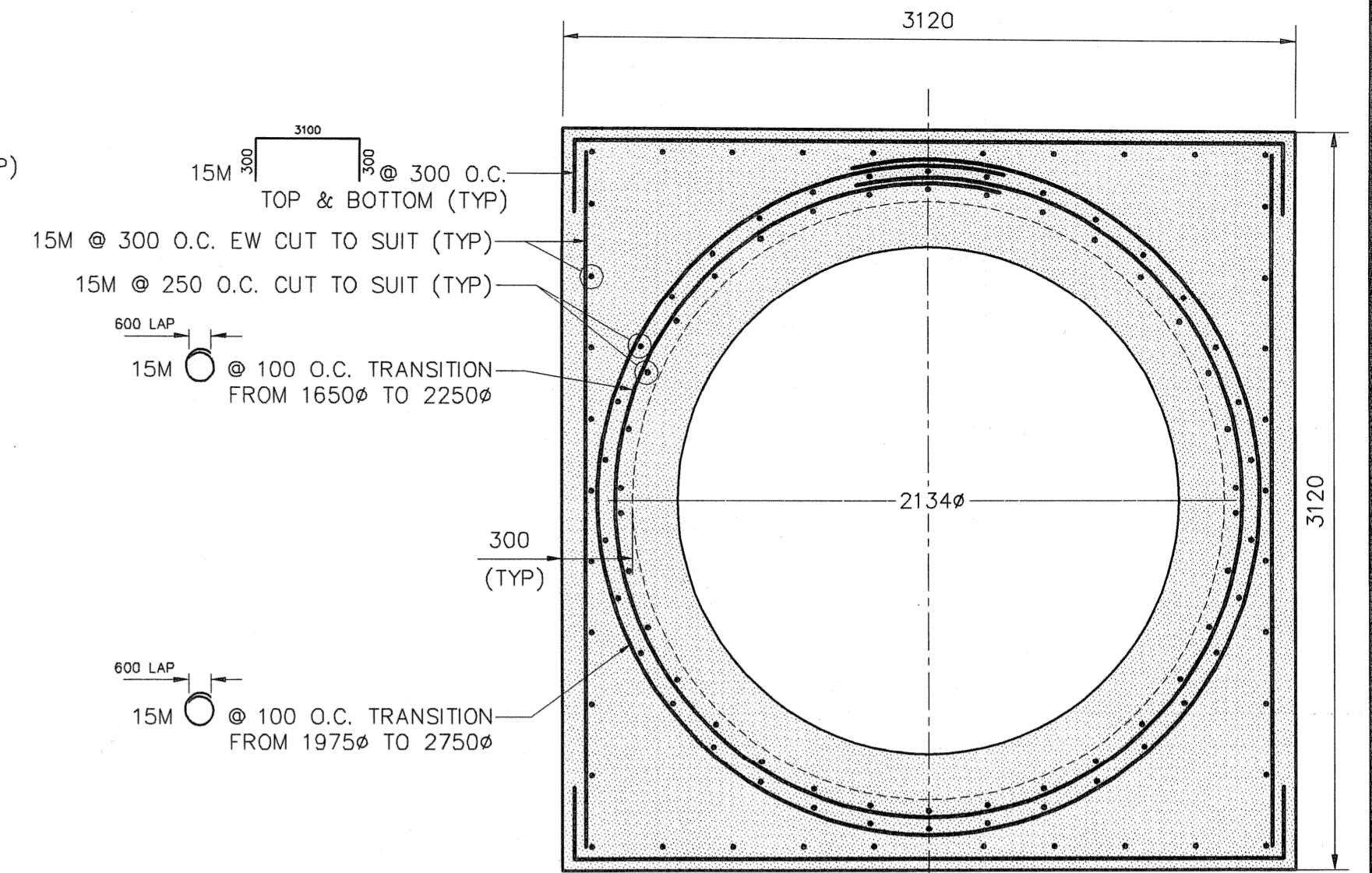


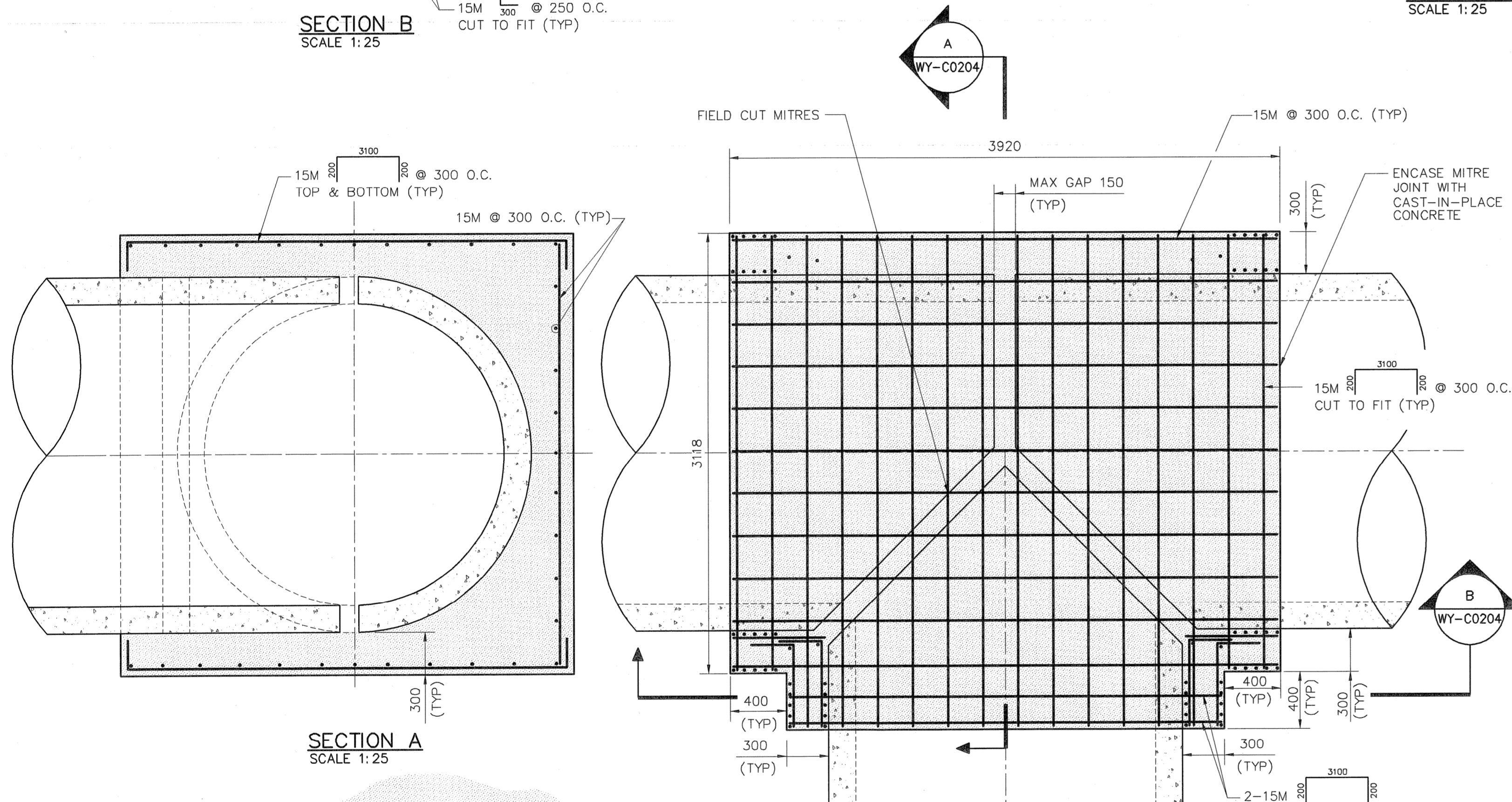
SECTION B
SCALE 1:25



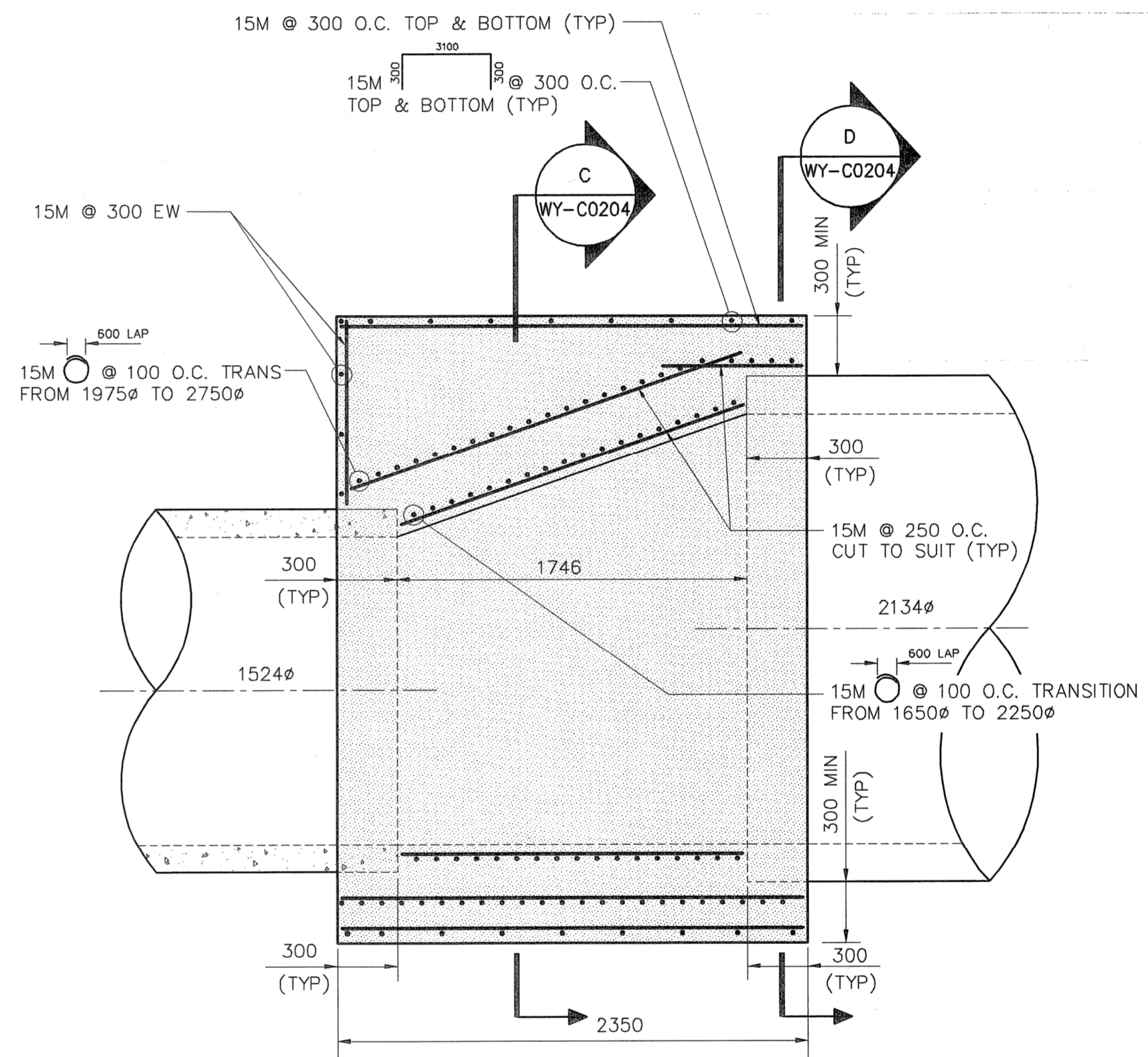
SECTION C
SCALE 1:25



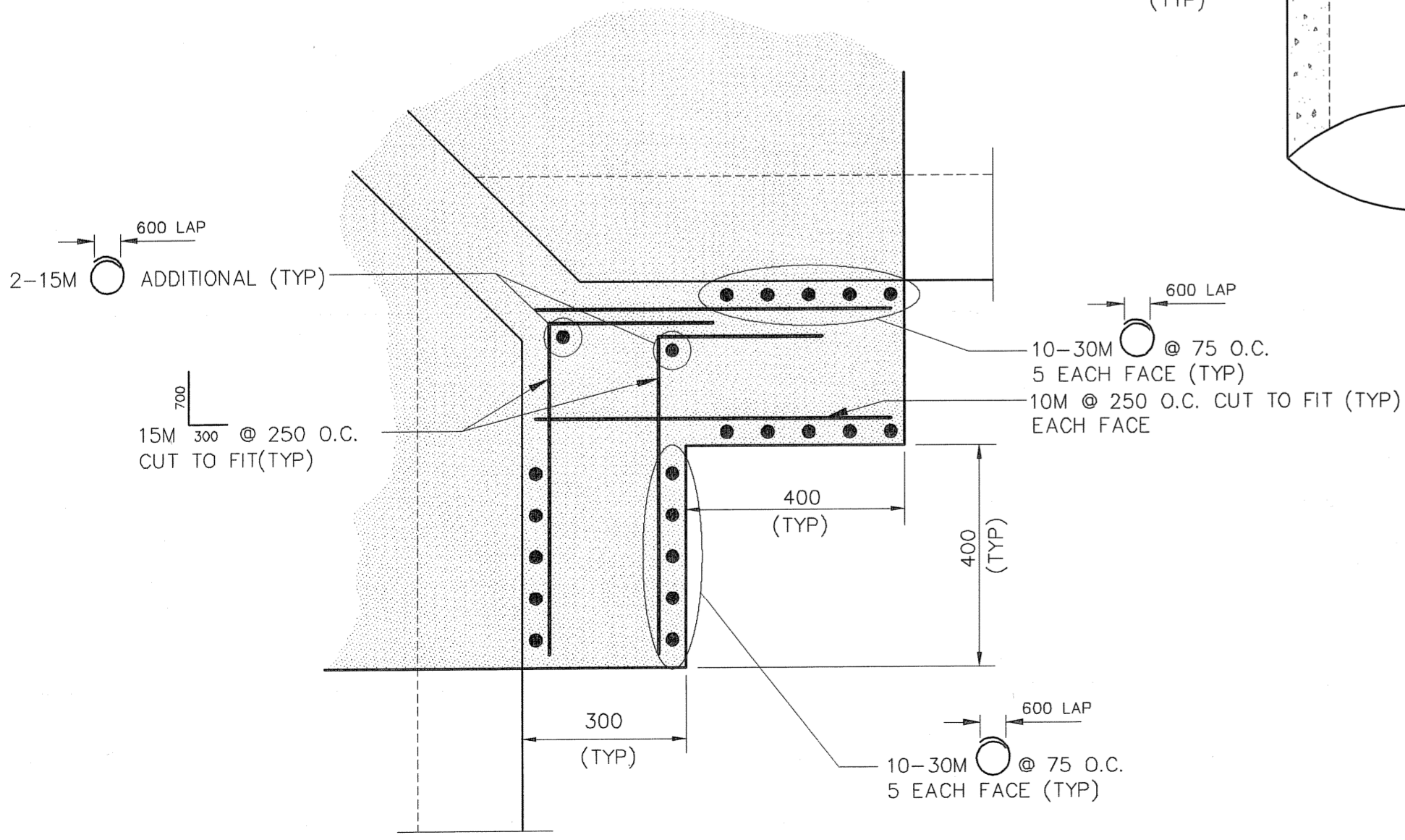
SECTION D
SCALE 1:25



SECTION A
SCALE 1:25

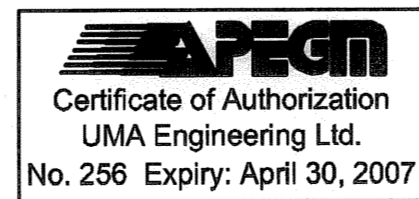


2134mm x 1524mm CONNECTION DETAIL
SCALE 1:25



2134mm TEE CORNER REBAR DETAIL
SCALE 1:10

2134mm TEE DETAIL
SCALE 1:25



B.M. ELEV.					
DESIGNED BY	EDT / GEB	CHECKED BY			
DRAWN BY	WJd	APPROVED BY			
HOR. SCALE:	AS NOTED	RELEASED FOR CONSTRUCTION BY:			
VERTICAL SCALE:	AS NOTED				
00 ISSUED FOR TENDER	07/01/26	WJd			
NO. REVISIONS	DATE	BY	DATE	2006/10/12	DATE

UMA | AECOM

© 2005 UMA ENGINEERING LTD. ALL RIGHTS RESERVED.

ENGINEER'S SEAL: S.B. BISWANGER, PROFESSIONAL ENGINEER, PROVINCE OF MANITOBA

CONSULTANT DRAWING NO. WY C0204

THE CITY OF WINNIPEG
WATER AND WASTE DEPARTMENT
ENGINEERING DIVISION

WINNIPEG WATER TREATMENT PROGRAM
WTP OVERFLOW SUPERNATANT LINE

CIVIL
2134mm TEE & CONNECTION
MISCELLANEOUS SECTIONS AND DETAILS

CITY FILE NUMBER
SHEET 1 OF 1
CITY DRAWING NUMBER
1-0601Y-C-C0204-001-00D