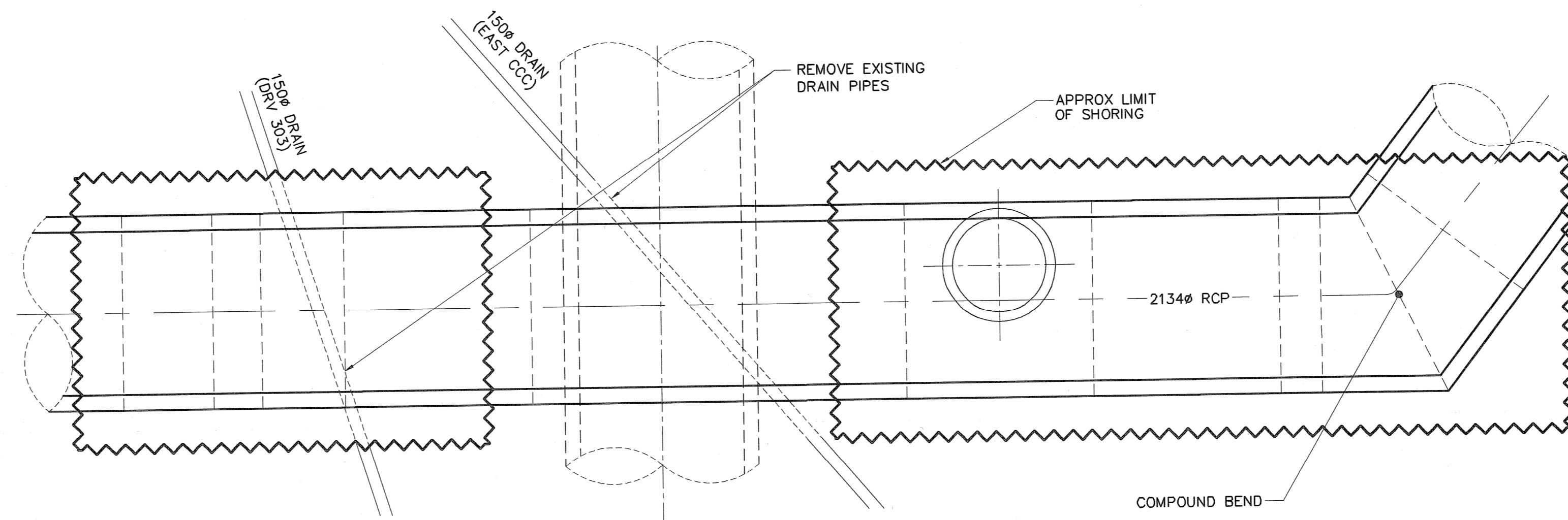
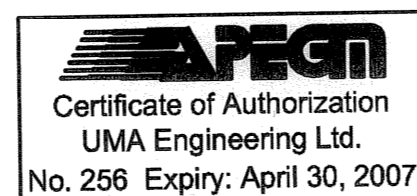


EXISTING CELL 3 OUTLET CROSSING DETAIL
SCALE 1:50



PLAN VIEW
SCALE 1:50



B.M. ELEV.		UMA AECOM		ENGINEER'S SEAL	
		© 2005 UMA ENGINEERING LTD. ALL RIGHTS RESERVED.			
DESIGNED BY	EDT	CHECKED BY	<i>[Signature]</i>	WINNIPEG WATER TREATMENT PROGRAM	
DRAWN BY	WJd	APPROVED BY	<i>[Signature]</i>	WTP OVERFLOW SUPERNATANT LINE	
HOR. SCALE: AS NOTED		RELEASED FOR CONSTRUCTION BY:		CITY FILE NUMBER	
VERTICAL SCALE: AS NOTED		DATE 2006/10/12		SHEET 1 OF 1	
NO.	ISSUED FOR TENDER	DATE	BY	CITY DRAWING NUMBER	
00	ISSUED FOR TENDER	07/01/26	WJd	1-0601Y-C-C0203-001-00D	
NO.	REVISIONS	DATE	BY	MISCELLANEOUS SECTIONS AND DETAILS	

THE CITY OF WINNIPEG
 WATER AND WASTE DEPARTMENT
 ENGINEERING DIVISION
 WINNIPEG WATER TREATMENT PROGRAM
 WTP OVERFLOW SUPERNATANT LINE
 CIVIL
 2134 SIPHON
 MISCELLANEOUS SECTIONS AND DETAILS