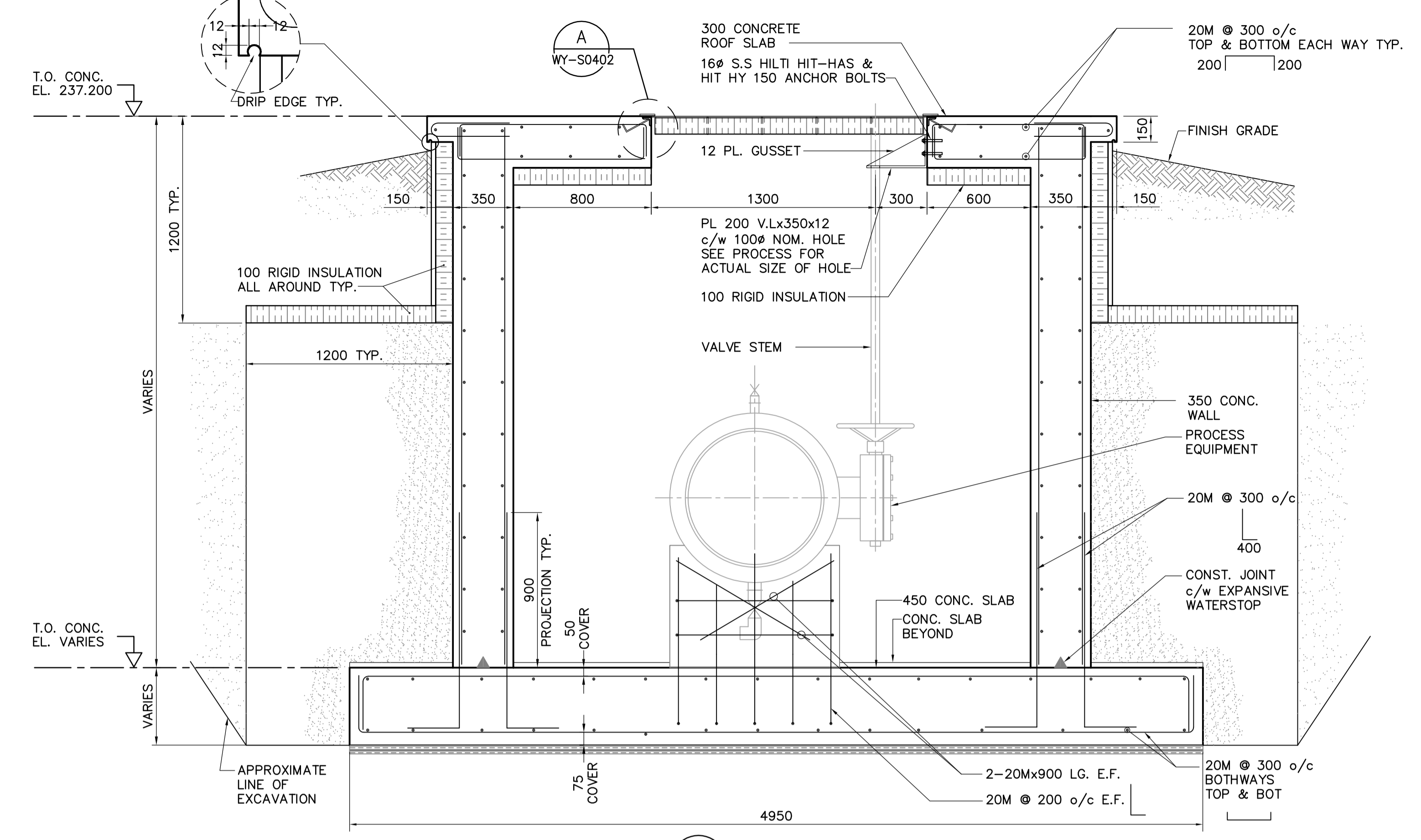
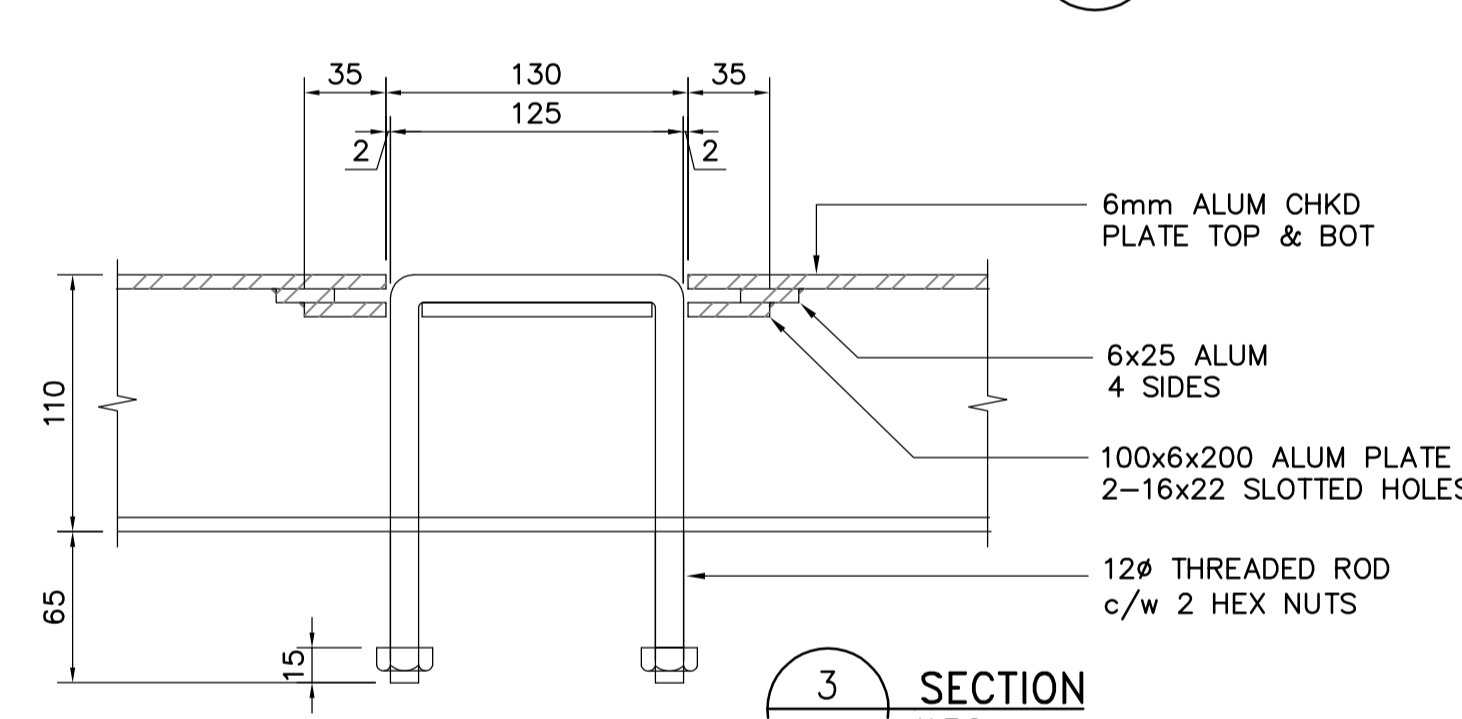


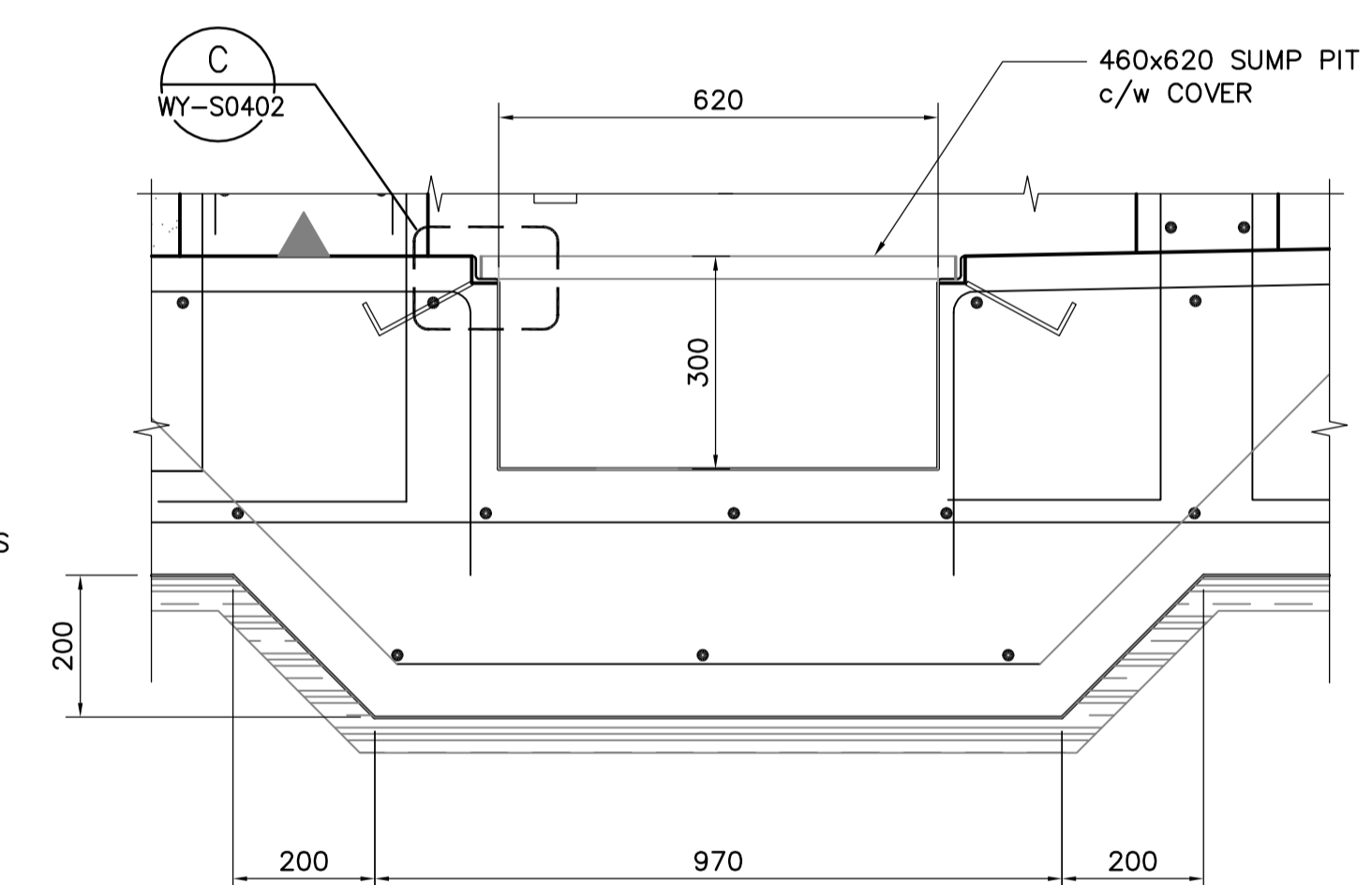
1 SECTION
WY-S0401 1:20



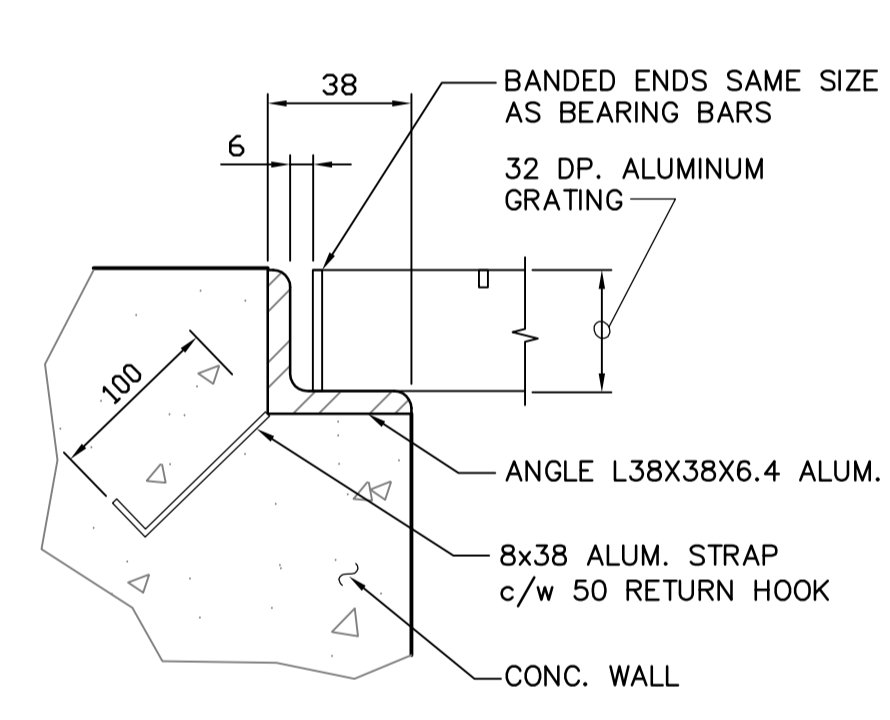
2 SECTION
WY-S0401 1:20



3 SECTION
WY-S0402 N.T.S.

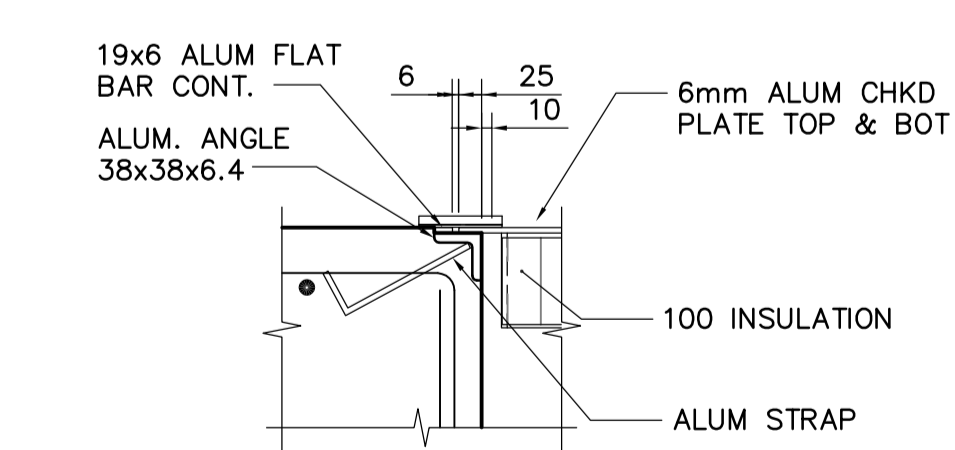


B DETAIL
WY-S0402 1:10

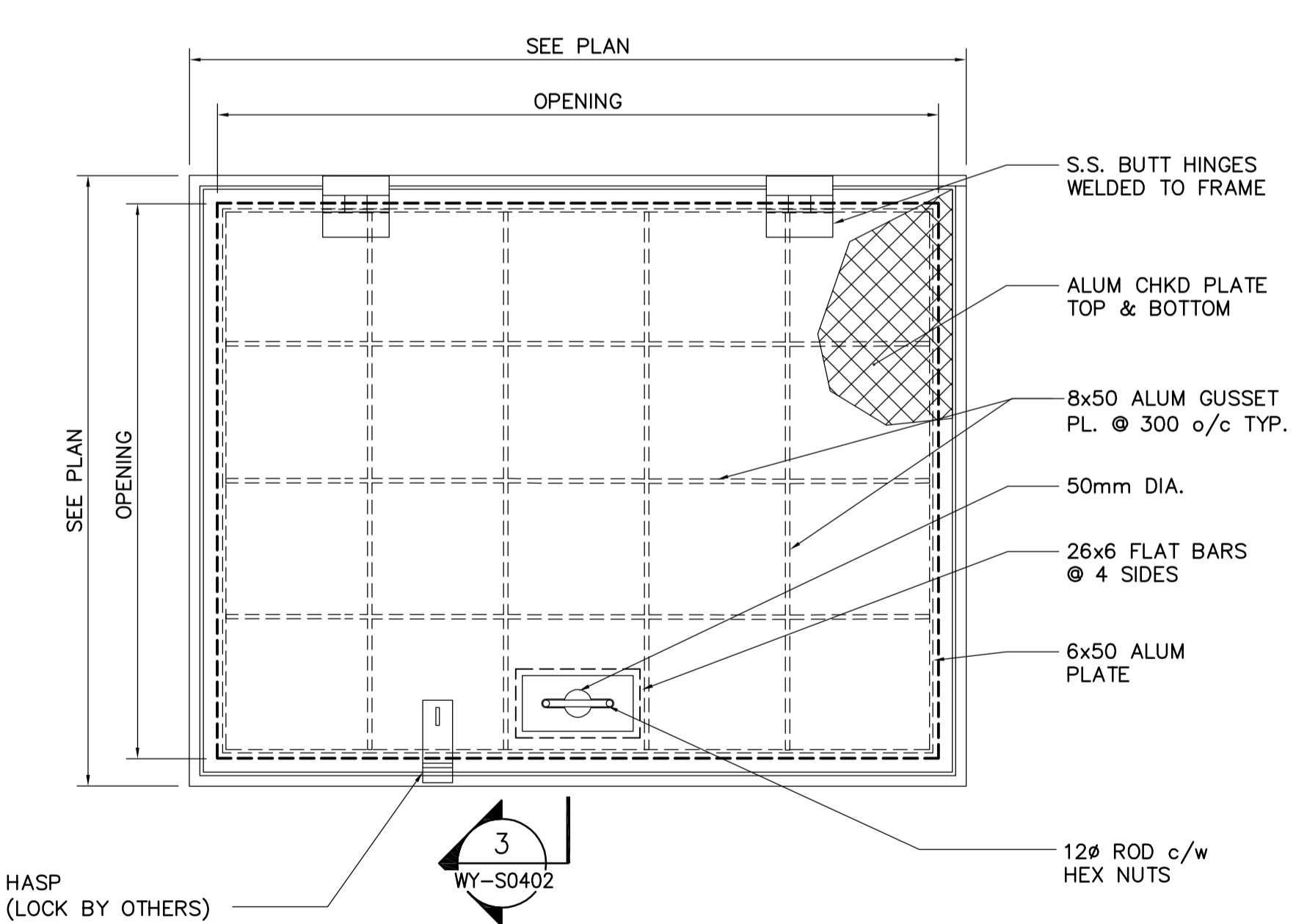


NOTES:
1. GRATING DESIGN FOR LIVE LOAD SEE PLANS & STRUCTURAL NOTES
2. ALL PARTS SHALL BE ALUMINUM UNLESS NOTED OTHERWISE

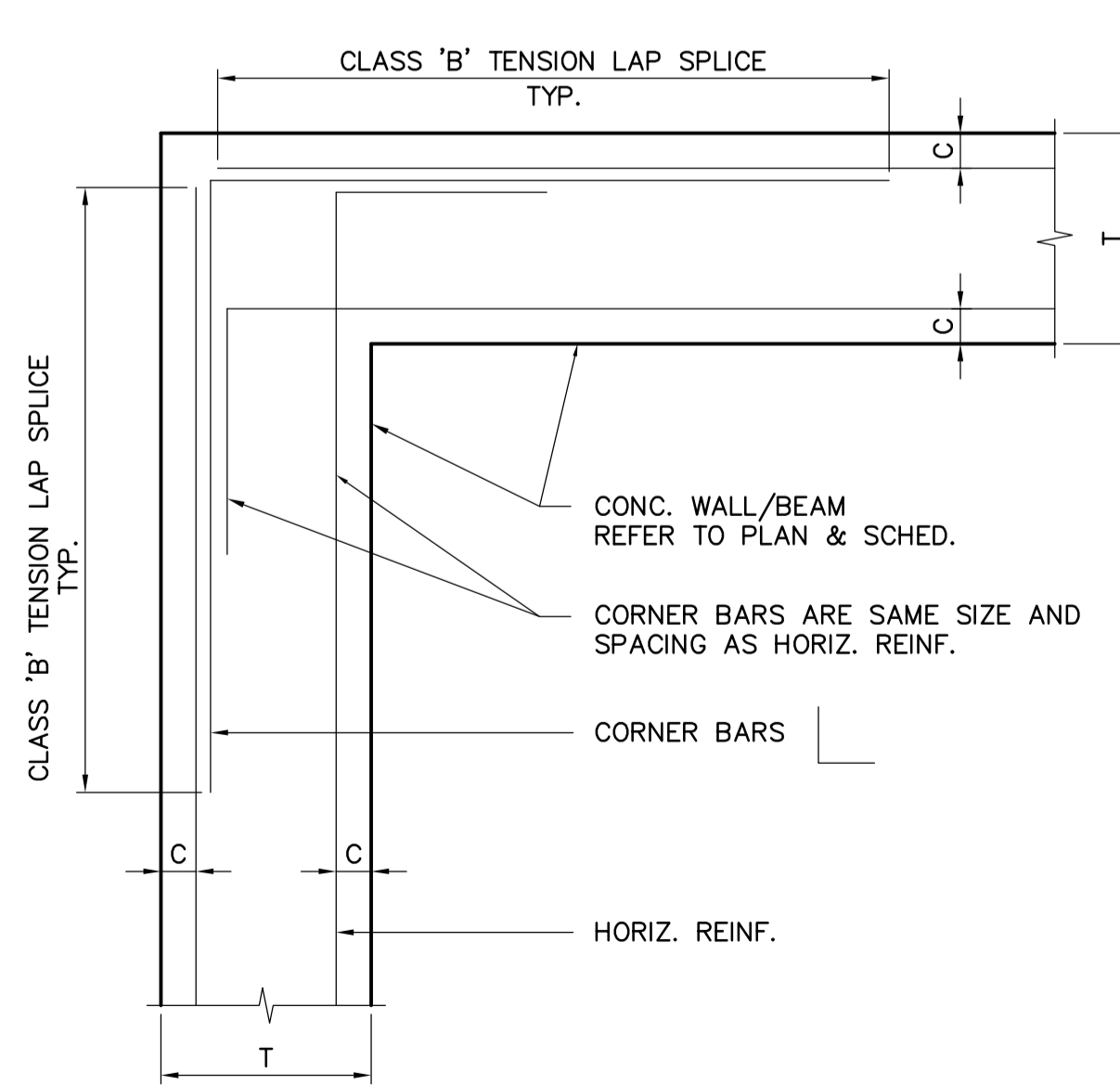
C ALUMINUM GRATING WITH EMBEDDED FRAME
WY-S0402 1:2



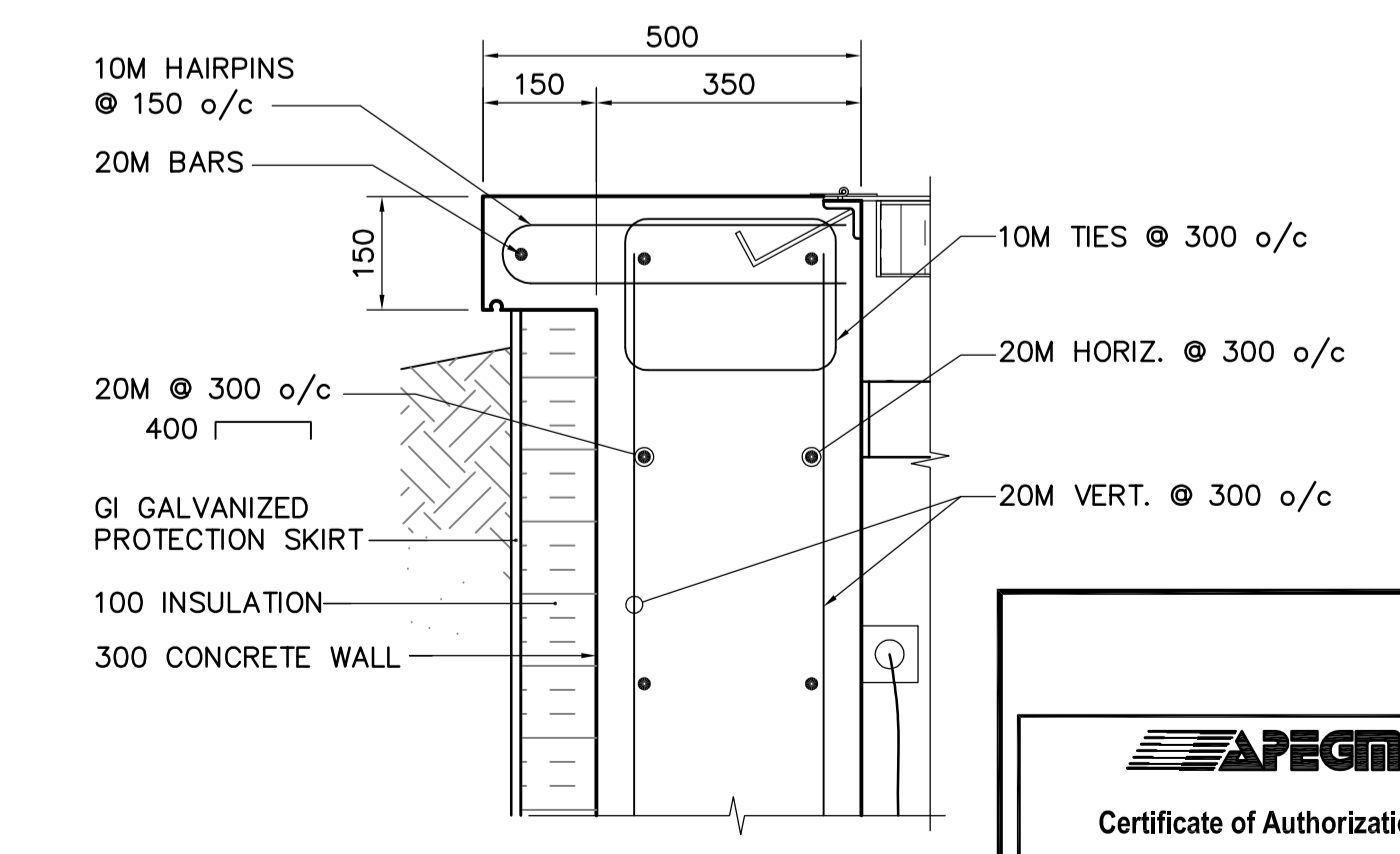
A DETAIL
WY-S0402 1:8



D TYP. INSULATED ALUMINUM COVER & FRAME DETAIL
WY-S0402 1:10



REINFORCING FOR WALL/BEAM INTERSECTION AT A CORNER



E DETAIL
WY-S0402 1:10

 Certificate of Authorization Earth Tech Canada Inc. No. 730 Expiry: April 30, 2007	B.M. ELEV.	 Frederickson Cooper ARCHITECTS	 A Tyco International Ltd. Company	ENGINEER'S SEAL	 THE CITY OF WINNIPEG WATER AND WASTE DEPARTMENT ENGINEERING DIVISION		
				DESIGNED BY: GGP / AP		CHECKED BY: MK	ORIGINAL SIGNED BY: A. POCHANART
				DRAWN BY: CMF		APPROVED BY: AHL	2007/01/26
				SCALE: AS NOTED		RELEASED FOR CONSTRUCTION BY: R. SOROKOWSKI	CONSULTANT DRAWING NO. WY-S0402
	00 ISSUED FOR TENDER 07/01/26 CMF	NO. REVISIONS	DATE BY DATE 2006/11/14	DATE 2007/01/26	WATER TREATMENT PLANT WTP OVERFLOW SUPERNATANT LINE STRUCTURAL SUPERNATANT VALVE CHAMBER 1 SECTIONS & DETAILS		
					CITY FILE NUMBER SHEET OF CITY DRAWING NUMBER 1-0601Y-A-S0402-001-00D		