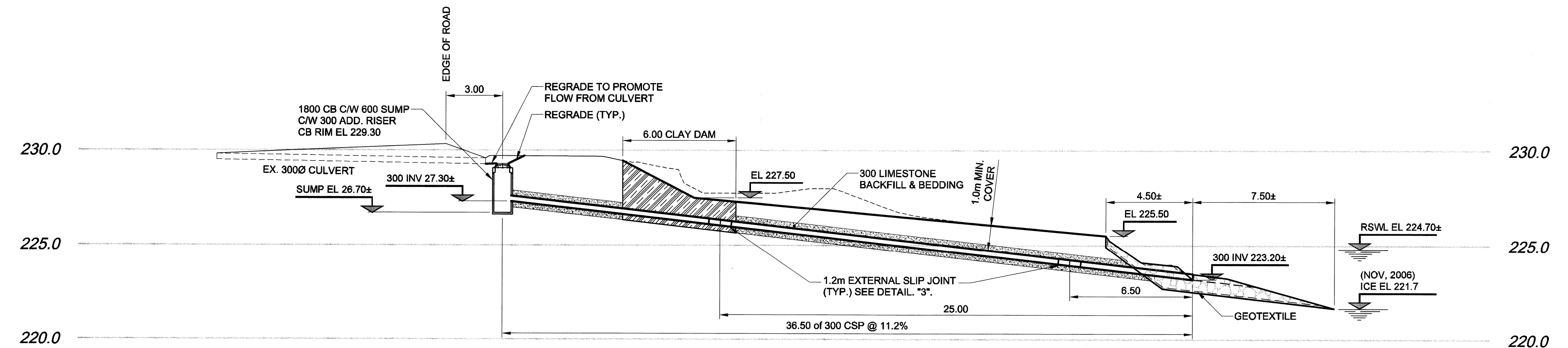
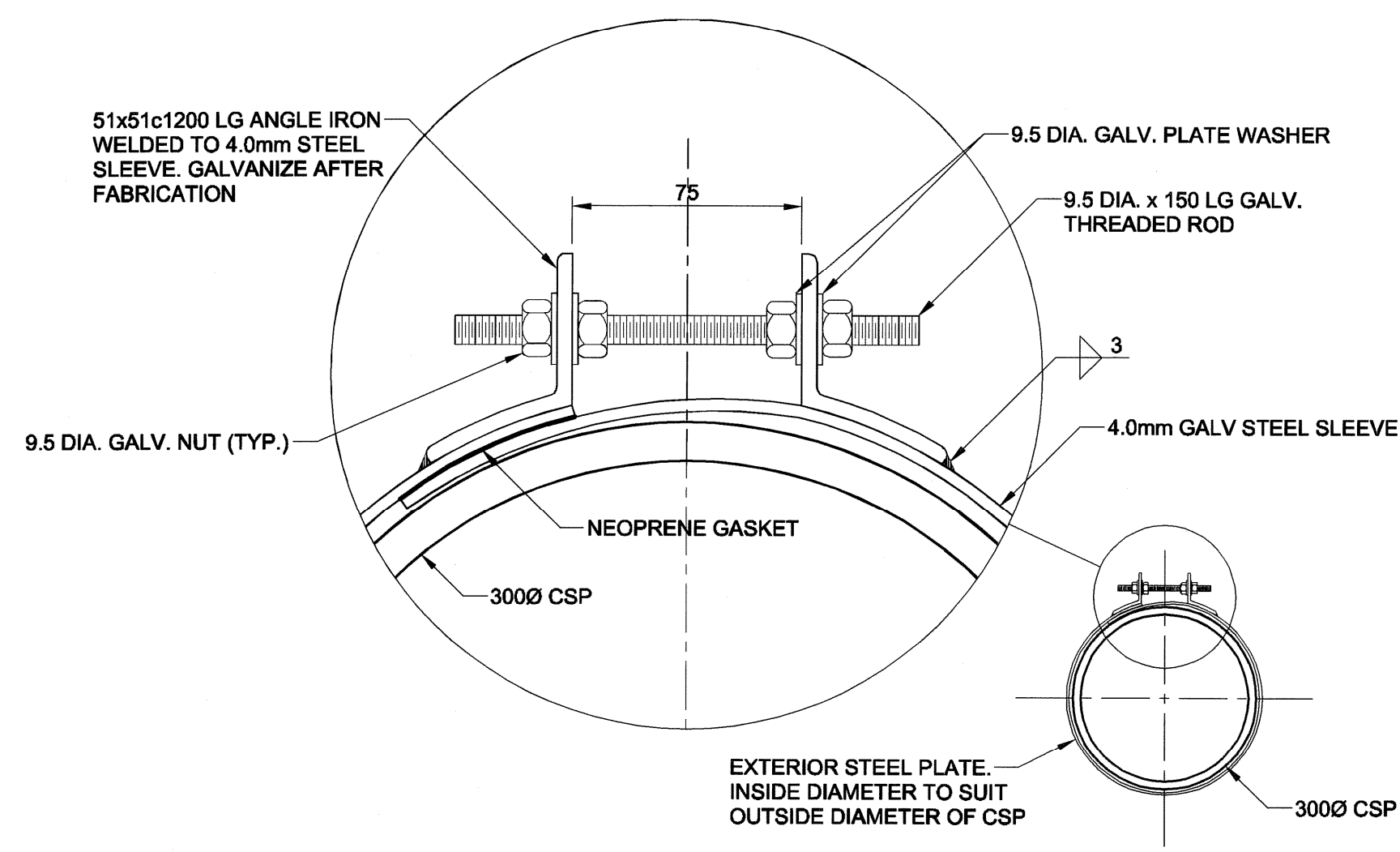


SECTION M
 SCALE 1:150
 S.15-BC-2
 CULVERT #1

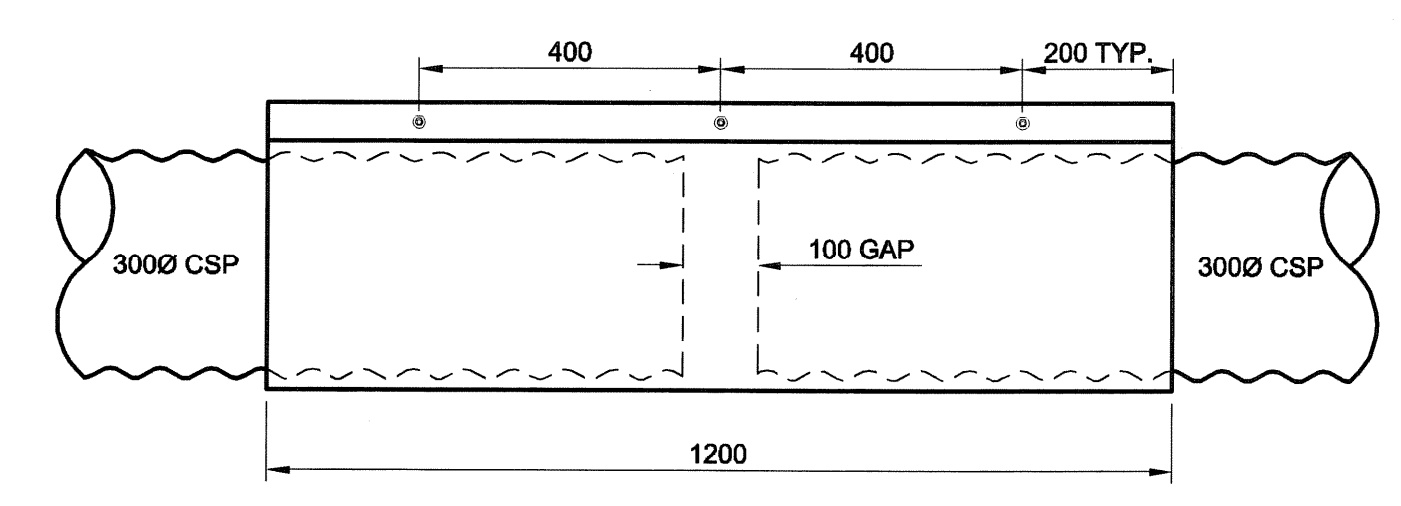


SECTION N
 SCALE 1:150
 S.15-BC-2
 CULVERT #2

NOTES: TYPICAL SUBMERGENCE OF 1200mm FROM RSWL TO TOP OF PIPE AT RIVER. SHAPE RIP RAP TO FORM DRAINAGE CHANNEL FROM END OF PIPE TOWARDS RIVER.



SECTION THROUGH SLIP JOINT
 SCALE 1:10



DETAIL 3
 SCALE 1:10
 EXTERNAL SLIP JOINT

LOCATION APPROVED UNDERGROUND STRUCTURES

SUPR. U/G STRUCTURES	DATE	COMMITTEE

NOTE: LOCATION OF UNDERGROUND STRUCTURES AS SHOWN ARE BASED ON THE BEST INFORMATION AVAILABLE. BUT NO GUARANTEE IS GIVEN THAT ALL EXISTING UTILITIES ARE SHOWN OR THAT THE GIVEN LOCATIONS ARE EXACT. CONFIRMATION OF EXISTENCE AND EXACT LOCATION OF ALL SERVICES MUST BE OBTAINED FROM THE INDIVIDUAL UTILITIES BEFORE PROCEEDING WITH CONSTRUCTION.

NO.	REVISIONS	YYMMDD	BY
0	ISSUED FOR CONSTRUCTION	06/12/19	LJV

UMA | AECOM

© 2006 UMA ENGINEERING LTD. ALL RIGHTS RESERVED

DESIGNED BY	KJM	CHECKED BY	[Signature]
DRAWN BY	ADL	APPROVED BY	[Signature]
HOR. SCALE	AS NOTED	RELEASED FOR CONSTRUCTION	[Signature]
VERT. SCALE	N/A	DATE	06/12/19

APGM
 Certificate of Authorization
 UMA Engineering Ltd.
 No. 256 Expiry: April 30, 2007

PROFESSIONAL'S SEAL
 PROVINCE OF MANITOBA
 K.J. MCRAE
 REGISTERED PROFESSIONAL ENGINEER
 CONSULTANT DRAWING NO. 006
 0265-390-00

THE CITY OF WINNIPEG
 PUBLIC WORKS DEPARTMENT

St. Vital Park
 Riverbank Stabilization Works

Culvert Sections and Details

SHEET 6 OF 6
 CITY DRAWING NUMBER REV
 S.15-BC-6 0