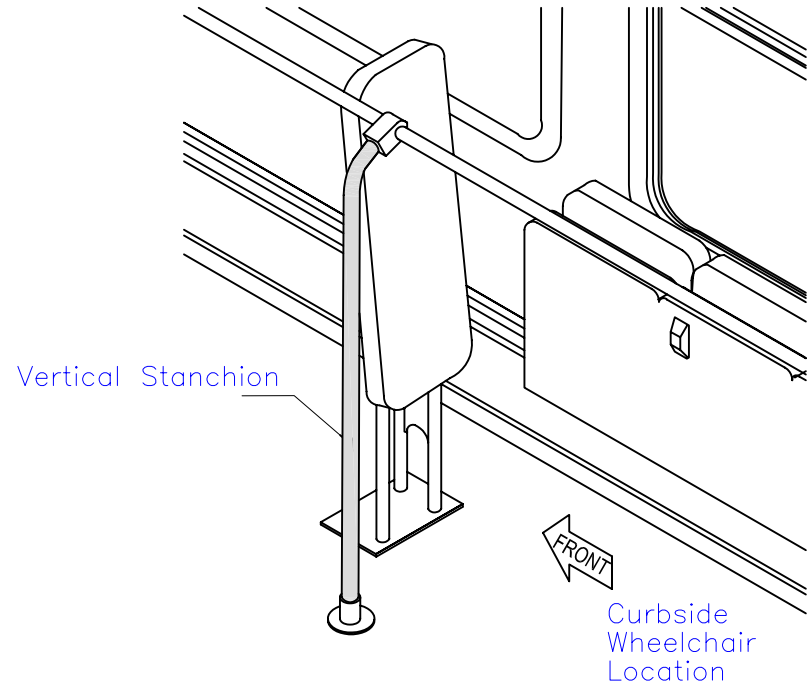
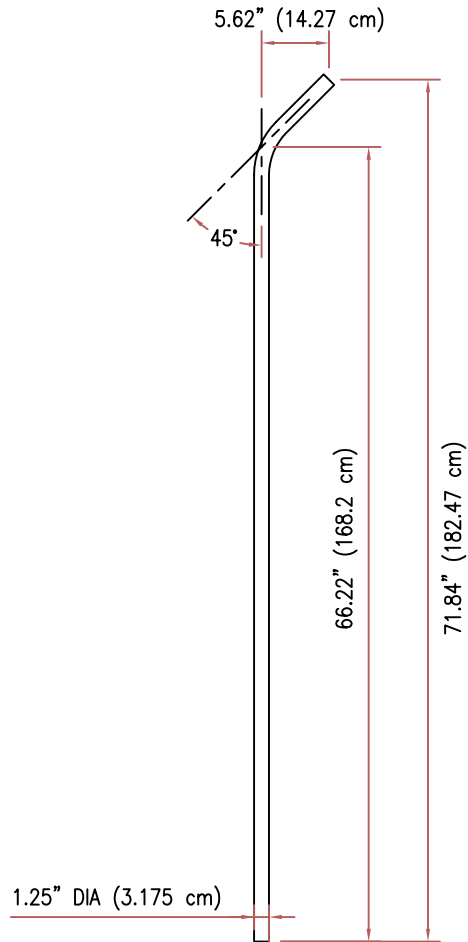




ITEM	NAME	DESCRIPTION	QTY
01	VERT. STANCHION W/C C/S	BENT TUBE	1



1
S-1

DETAIL: ITEM 01



SPEC REF E2 526.06 - 7		REV	DESCRIPTION	DATE
CATEGORY	City of Winnipeg Transit Department	SCALE	N.T.S.	723-2006-008
		DRAWN BY	TVD	DRAWING NO.
DRAWING TITLE	Vertical Stanchion at Wheelchair Curbside Location	DATE	2006.11.10	SHEET NO. 08/08