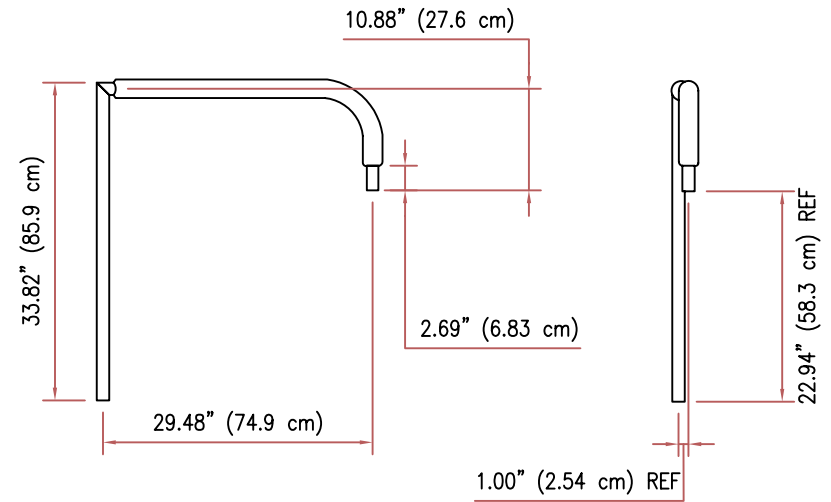
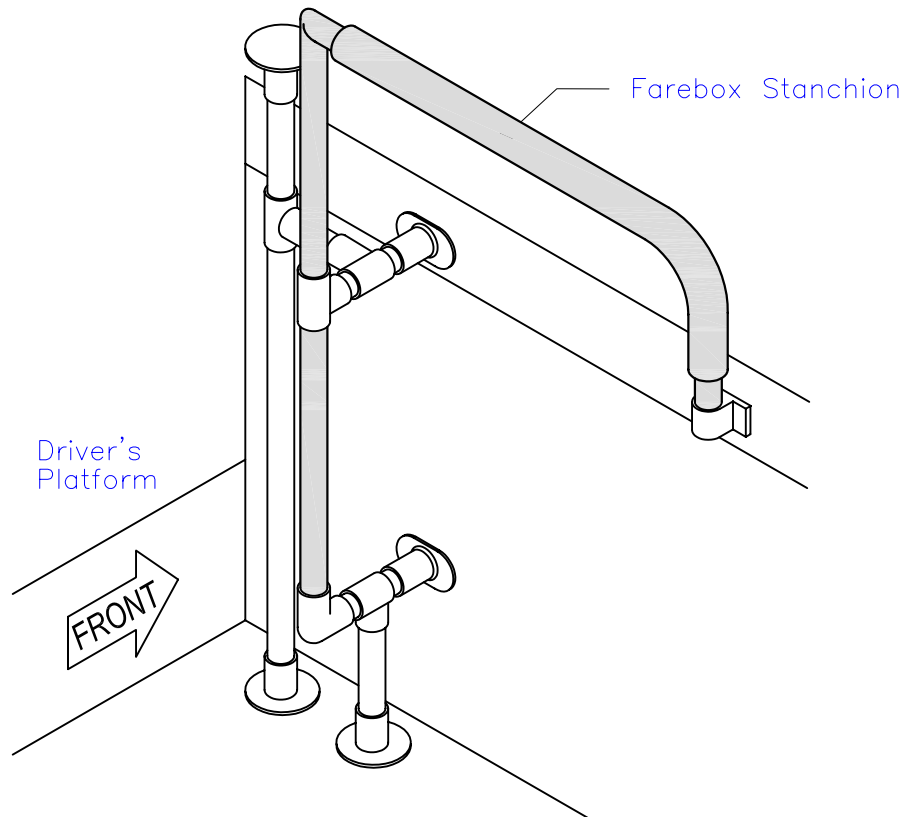




ITEM	NAME	DESCRIPTION	QTY
01	FAREBOX STANCHION	WELDED TUBE & BLACK PADDING	1



1
S-1

DETAIL: ITEM 01
SCALE: 3" = 1'-0"



SPEC REF E2 526.05		REV	DESCRIPTION	DATE
CATEGORY	City of Winnipeg Transit Department	SCALE	N.T.S.	723-2006-005
		DRAWN BY	TVD	
DRAWING TITLE	Bus Tender 723-2006 Farebox Stanchion	DATE	2006.11.09	SHEET NO. 05/08