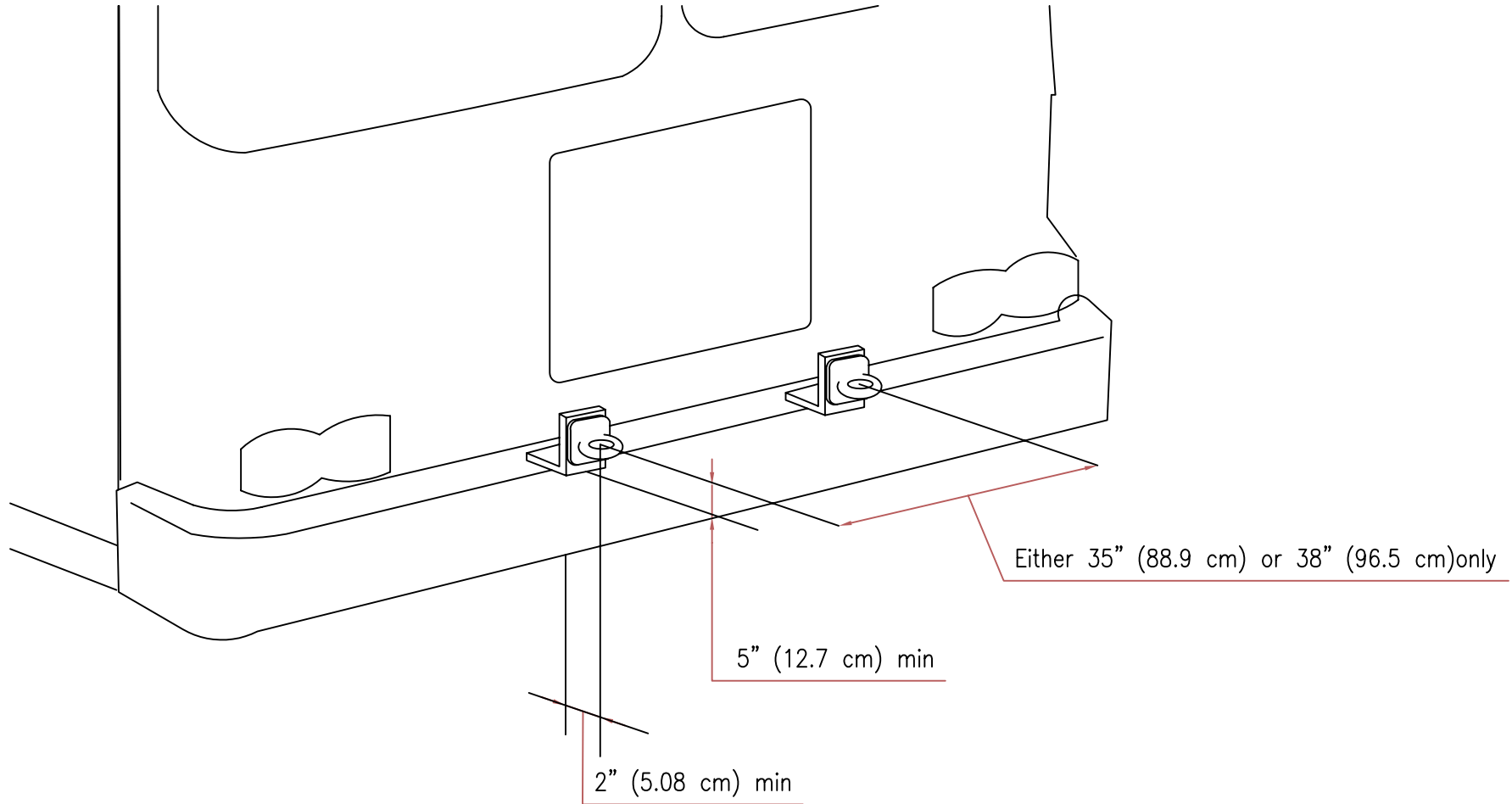




ITEM	NAME	DESCRIPTION	QTY



SPEC REF E2 201.03

REV	DESCRIPTION	DATE

CATEGORY	City of Winnipeg Transit Department	SCALE	N.T.S.	DATE	723-2006-002
	DRAWN BY	TVD	DRAWING NO.		

DRAWING TITLE	Bus Tender 723-2006 Bus Front Tow Eye	DATE	2006.11.09	SHEET NO.	02/08
---------------	--	------	------------	-----------	-------