

HOT WATER TANK, STORAGE TANK & PUMPS
NTS

- * LOCAL ALL RELIEF VALVE DISCHARGE PIPES AND DRAINS FULL SIZE LOCAL OVER NEAREST FLOOR DRAIN. ROUTE PIPING ON SITE.
- * ALL WIRING BY ELECTRICAL.
- * COORDINATE WITH HEATING CONTRACTOR ON SITE.

'ISSUED WITH ADDENDUM NO. 1'

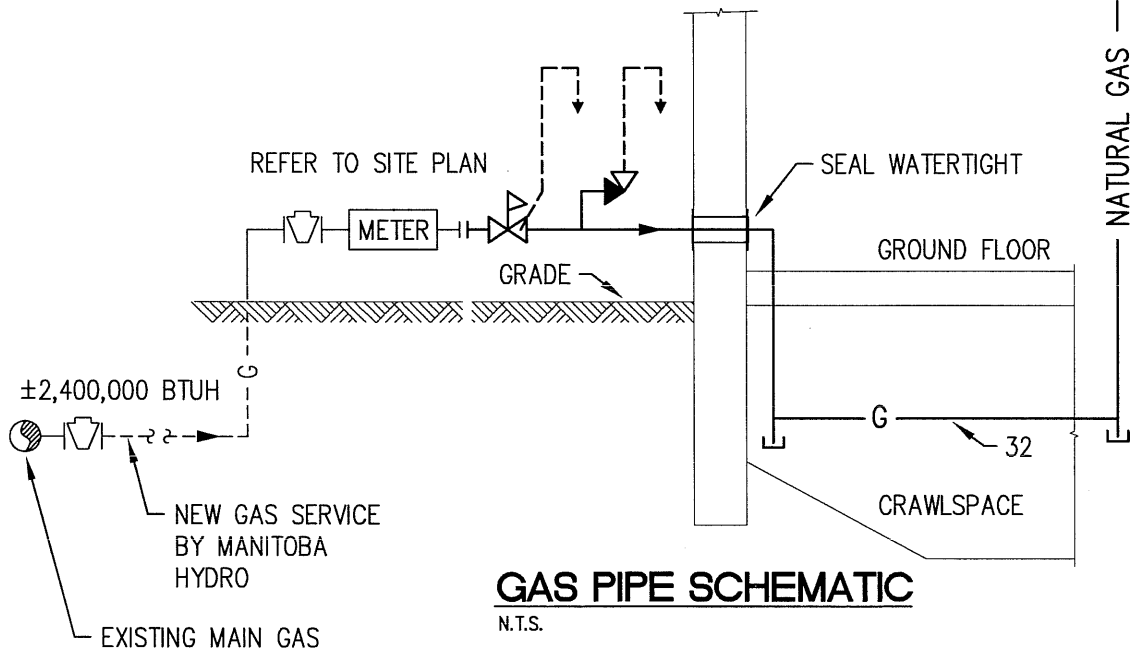
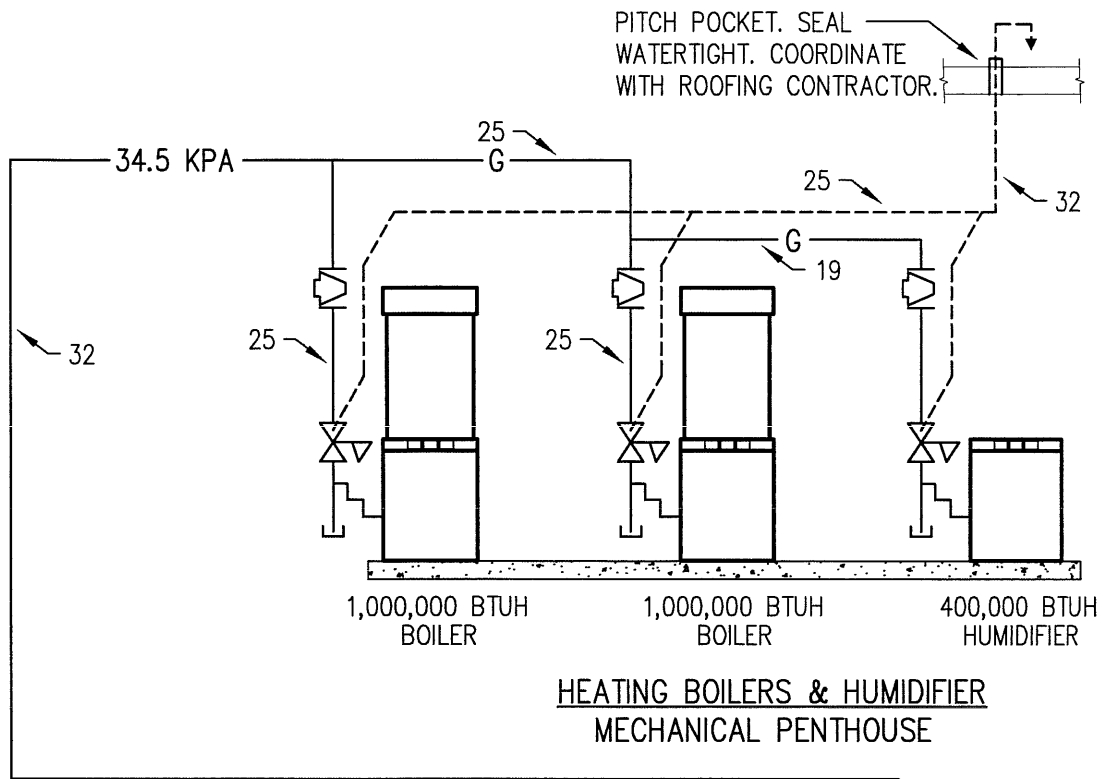
SMS ENGINEERING

SMS Engineering Ltd. Consulting Engineers
770 Bradford Street Winnipeg MB Canada R3H 0N3
Telephone 204.775.0291 Fax 204.772.2153
sms@smseng.com

**SPECIFICATION
DETAIL**

**DOMESTIC WATER HEATER
AND STORAGE TANK DETAIL**

Drawn By SMS	Approved By SMS	Reference
File No. 04-214-01	Date MARCH 2007	Detail Sheet PD-1



GENERAL NOTES

- A. COMPLETE GAS INSTALLATION TO FOLLOW C.S.A. B149.1-05, NATURAL GAS AND PROPANE INSTALLATION CODE.
- B. PRV: ACCEPTABLE PRODUCT, EQUIMETER INC., FISHER

'ISSUED WITH ADDENDUM NO. 1'

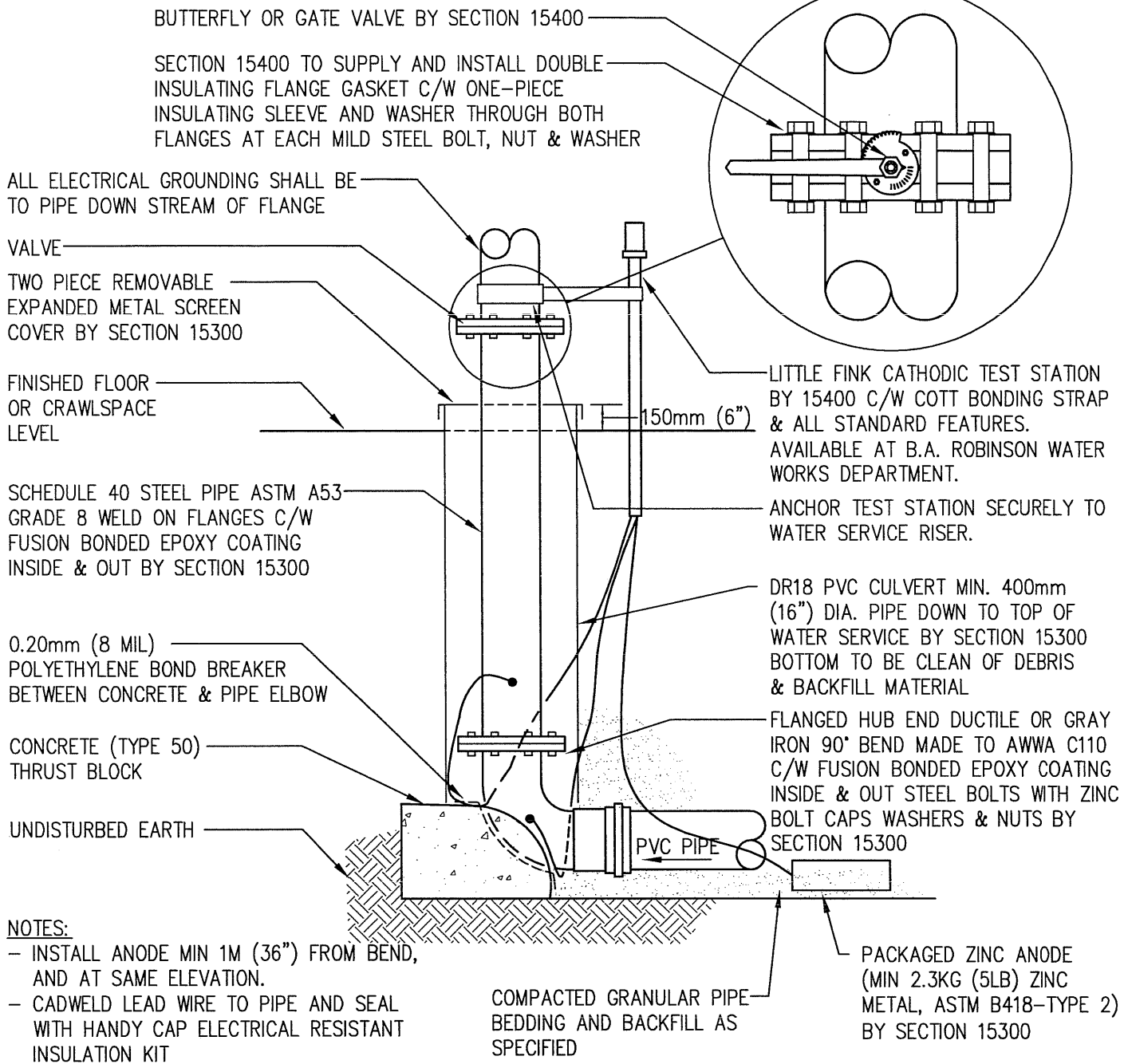
SMS ENGINEERING

SMS Engineering Ltd. Consulting Engineers
770 Bradford Street Winnipeg MB Canada R3H 0N3
Telephone 204.775.0291 Fax 204.772.2153
sms@smseng.com

**SPECIFICATION
DETAIL**

**NATURAL GAS AND PROPANE
PIPING SCHEMATIC**

Drawn By SMS	Approved By SMS	Reference
File No. 04-214-01	Date MARCH 2007	Detail Sheet PD-2



NOTES:

- INSTALL ANODE MIN 1M (36") FROM BEND, AND AT SAME ELEVATION.
- CADWELD LEAD WIRE TO PIPE AND SEAL WITH HANDY CAP ELECTRICAL RESISTANT INSULATION KIT
- WRAP LEAD WIRES ONCE AROUND PIPING TO REDUCE STRESS ON WELDED CONNECTION DURING BACKFILL.
- 2.3KG (5LB) ANODE IS SIZED FOR 150mm (6") AND 200mm (8") DIAMETER PIPE SIZE, WITH SUPERIOR CORROSION PROTECTION COATING, AND 2.44M (8') OF RISER PIPE EXPOSED TO SOIL.

DETAIL OF WATER SERVICE ENTRY

N.T.S

'ISSUED WITH ADDENDUM NO. 1'

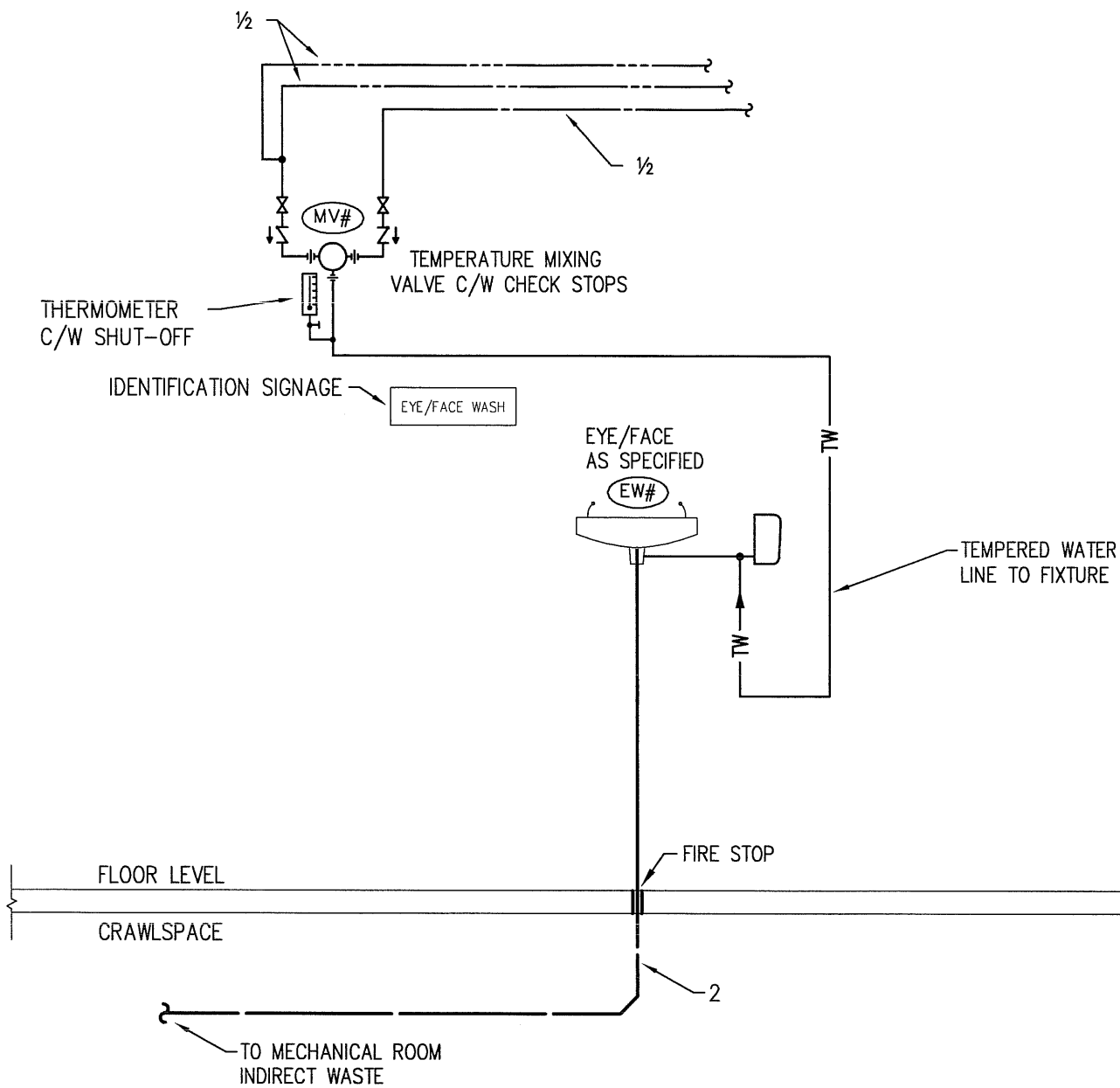
SMS ENGINEERING

SMS Engineering Ltd. Consulting Engineers
 770 Bradford Street Winnipeg MB Canada R3H 0N3
 Telephone 204.775.0291 Fax 204.772.2153
 sms@smseng.com

**SPECIFICATION
 DETAIL**

**STEEL RISER C/W FLANGE
 AND HUB PVC ELBOW**

Drawn By SMS	Approved By IDK	Reference 3050
File No. 04-214-01	Date MARCH 2007	Detail Sheet PD-3

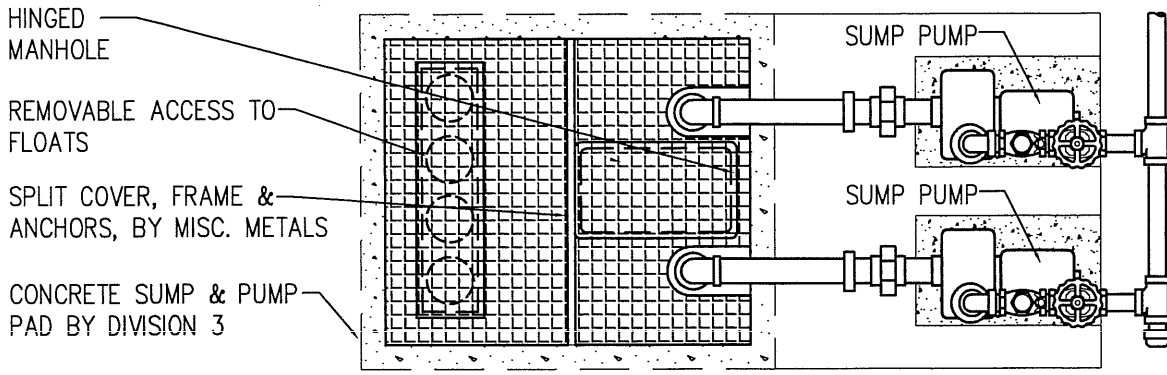


EMERGENCY FIXTURE WITH TEMPERED WATER

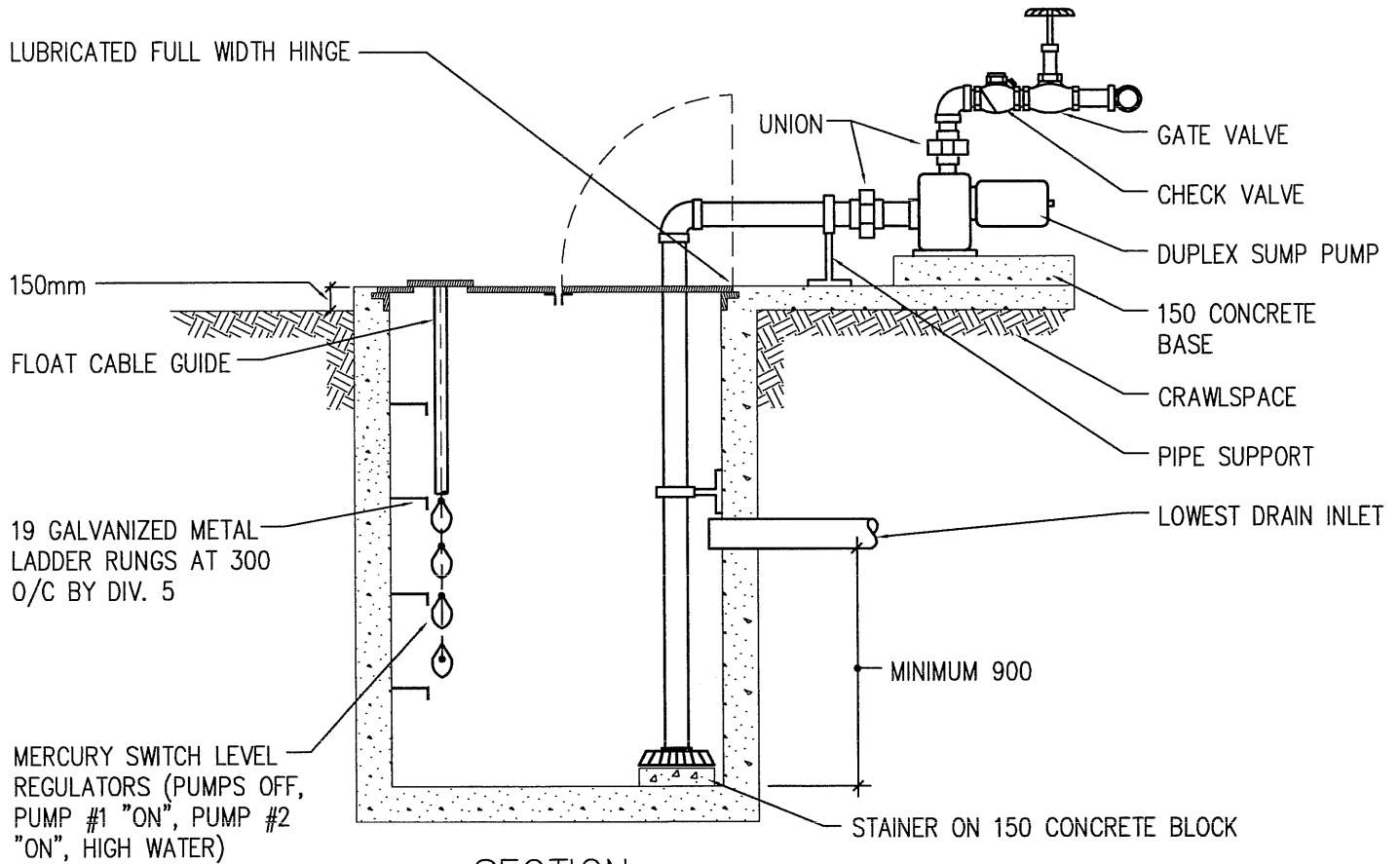
NOT TO SCALE

'ISSUED WITH ADDENDUM NO. 1'

<p>SMS ENGINEERING</p> <p>SMS Engineering Ltd. Consulting Engineers 770 Bradford Street Winnipeg MB Canada R3H 0N3 Telephone 204.775.0291 Fax 204.772.2153 sms@smseng.com</p>	<p>SPECIFICATION DETAIL</p>	EYEWASH STATION DETAIL C/W MIXING VALVE		
		Drawn By	Approved By	Reference
		File No.	Date	Detail Sheet
		SMS	SMS	4261B
		04-214-01	MARCH 2007	PD-4



PLAN



SECTION

DUPLEX SUMP PUMP DETAIL W/ LEVEL SWITCH

N.T.S.

'ISSUED WITH ADDENDUM NO. 1'

SMS ENGINEERING

SMS Engineering Ltd. Consulting Engineers
 770 Bradford Street Winnipeg MB Canada R3H 0N3
 Telephone 204.775.0291 Fax 204.772.2153
 sms@smseng.mb.ca

SPECIFICATION
 DETAIL

DUPLEX SUMP PUMP DETAIL
 FOR UNFINISHED CRAWLSPACE

Drawn By SMS	Approved By JTW	Reference 4090
File No. 04-214-01	Date MARCH 2007	Detail Sheet PD-5

FIXTURE HEIGHT ROUGH-IN SCHEDULE

WALL HUNG WATER CLOSET

ALL MOUNTING HEIGHTS AS INDICATED ARE MEASURED FROM THE FINISHED FLOOR TO THE TOP OF SEAT.

- 1) NORMAL INSTALLATION 16" (406mm)
- 2) SENIOR CITIZENS & NURSING HOMES 16" (406mm)
- 3) SENIOR CITIZENS & NURSING HOMES 18" (460mm)
- 4) HOSPITAL (WARDS) 16" (406mm)
- 5) HOSPITAL (WARDS) 18" (560mm)
- 6) WHEELCHAIR 16" (406mm)
- 7) WHEELCHAIR 18" (460mm)

FLOOR MOUNTED WATER CLOSET

ALL MOUNTING HEIGHTS AS INDICATED ARE MEASURED FROM THE FINISHED FLOOR TO THE TOP OF THE BOWL.

- 1) NORMAL INSTALLATION 15" (380mm)
- 2) SENIOR CITIZENS & NURSING HOMES 15" (380mm)
- 3) SENIOR CITIZENS & NURSING HOMES 18" (460mm)
- 4) HOSPITAL (WARDS) 15" (406mm)
- 5) HOSPITAL (WARDS) 18" (560mm)
- 6) WHEELCHAIR 15" (406mm)
- 7) WHEELCHAIR 18" (460mm)

WALL HUNG LAVATORY

ALL MOUNTING HEIGHTS AS INDICATED ARE MEASURED FROM THE FINISHED FLOOR TO THE TOP OF THE BOWL.

- 1) NORMAL INSTALLATION 31" (790mm)
- 2) ELEMENTARY SCHOOLS (WHERE USED BY STUDENTS) 30" (760mm)
- 3) KINDERGARTEN (WHERE USED BY STUDENTS) 24" (610mm)
- 4) WHEELCHAIR 34" (863mm)

'ISSUED WITH ADDENDUM NO. 1'

SMS ENGINEERING

SMS Engineering Ltd. Consulting Engineers
770 Bradford Street Winnipeg MB Canada R3H 0N3
Telephone 204.775.0291 Fax 204.772.2153
sms@smseng.com

**SPECIFICATION
DETAIL**

**PLUMBING FIXTURES
INSTALLATION HEIGHT**

Drawn By	Approved By	Reference
SMS	SMS	4180
File No.	Date	Detail Sheet
04-214-01	MARCH 2007	PD-6

FIXTURE HEIGHT ROUGH-IN SCHEDULE

WALL HUNG URINAL

ALL MOUNTING HEIGHTS AS INDICATED ARE MEASURED FROM THE FINISHED FLOOR TO THE TOP OF THE BOWL.

- 1) NORMAL INSTALLATION 22" (560mm)
- 2) ELEMENTARY SCHOOLS (WHERE USED BY STUDENTS) 16" (410mm)
- 3) KINDERGARTEN (WHERE USED BY STUDENTS) 14" (350mm)
- 3) JUNIOR HIGH (WHERE USED BY STUDENTS) 20" (510mm)
- 4) WHEELCHAIR 17" (430mm)

WALL HUNG DRINKING FOUNTAIN

ALL MOUNTING HEIGHTS AS INDICATED ARE MEASURED FROM THE FINISHED FLOOR TO THE TOP OF THE BOWL.

- 1) NORMAL INSTALLATION 40" (1015mm)
- 2) ELEMENTARY SCHOOLS (WHERE USED BY STUDENTS) 32" (815mm)
- 3) KINDERGARTEN (WHERE USED BY STUDENTS) 32" (815mm)
- 4) WHEELCHAIR 32" (815mm)

'ISSUED WITH ADDENDUM NO. 1'

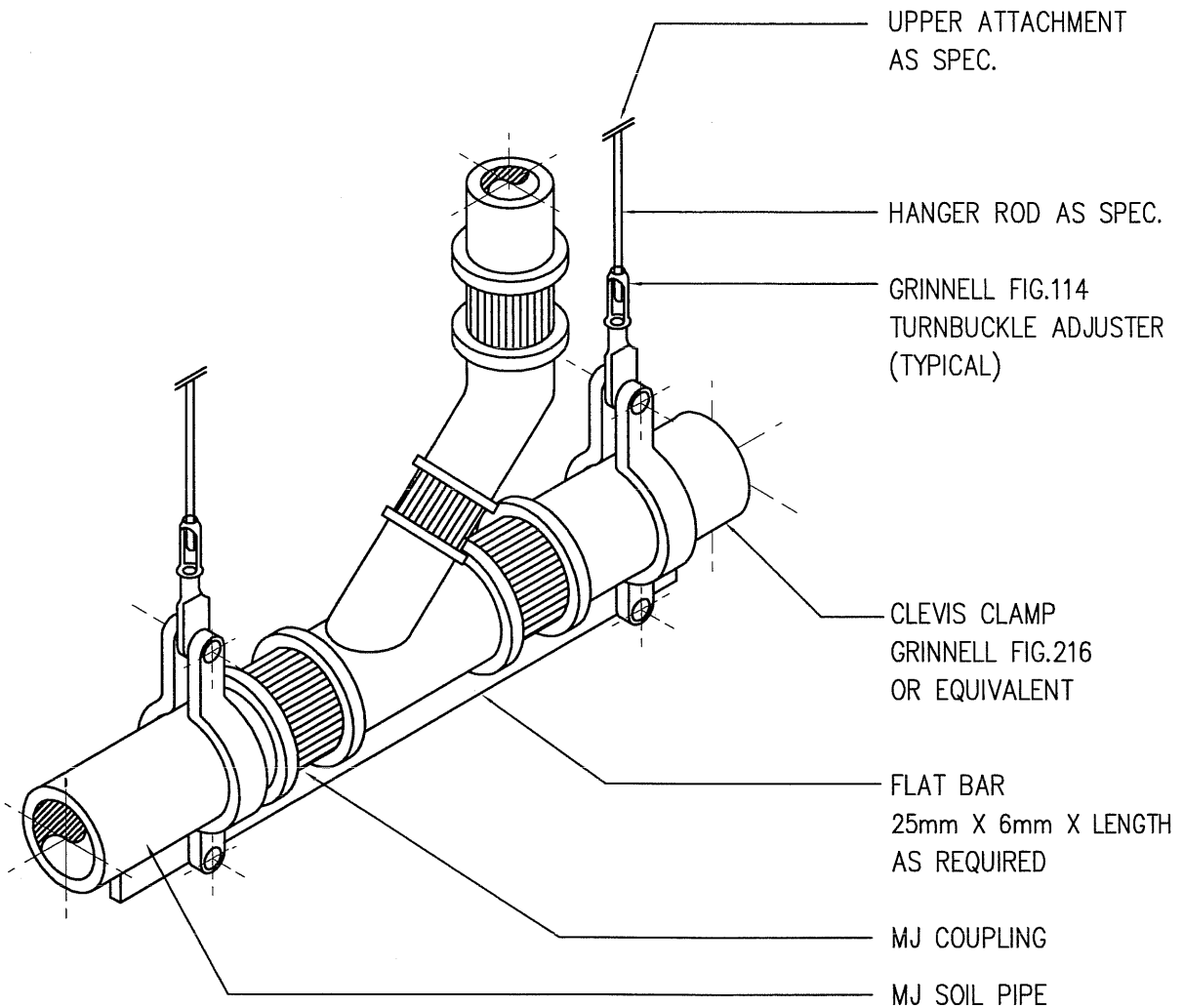
SMS ENGINEERING

SMS Engineering Ltd. Consulting Engineers
770 Bradford Street Winnipeg MB Canada R3H 0N3
Telephone 204.775.0291 Fax 204.772.2153
sms@smseng.com

**SPECIFICATION
DETAIL**

**PLUMBING FIXTURES
INSTALLATION HEIGHT**

Drawn By SMS	Approved By SMS	Reference 4181
File No. 04-214-01	Date MARCH 2007	Detail Sheet PD-7



M.J. PIPE & FITTING – HANGER DETAIL

'ISSUED WITH ADDENDUM NO. 1'

SMS ENGINEERING

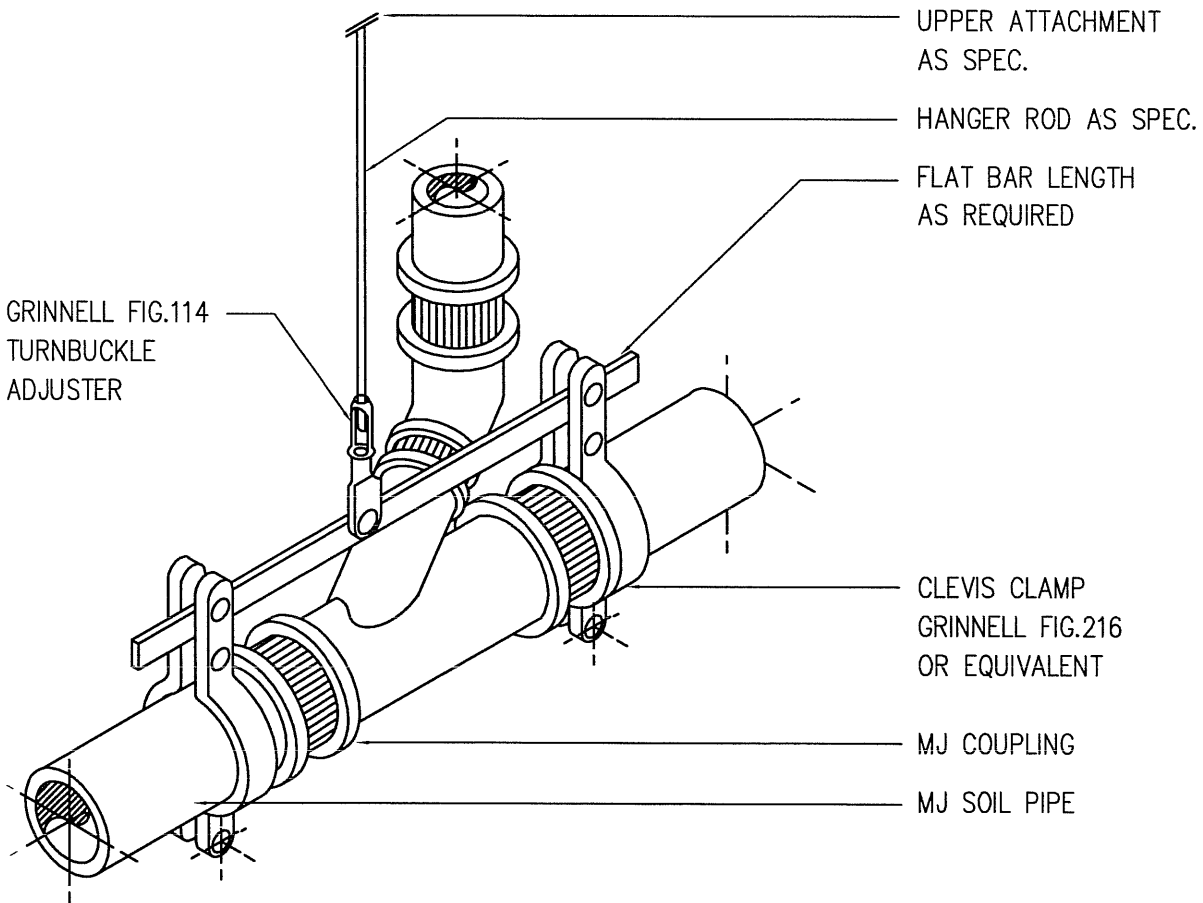
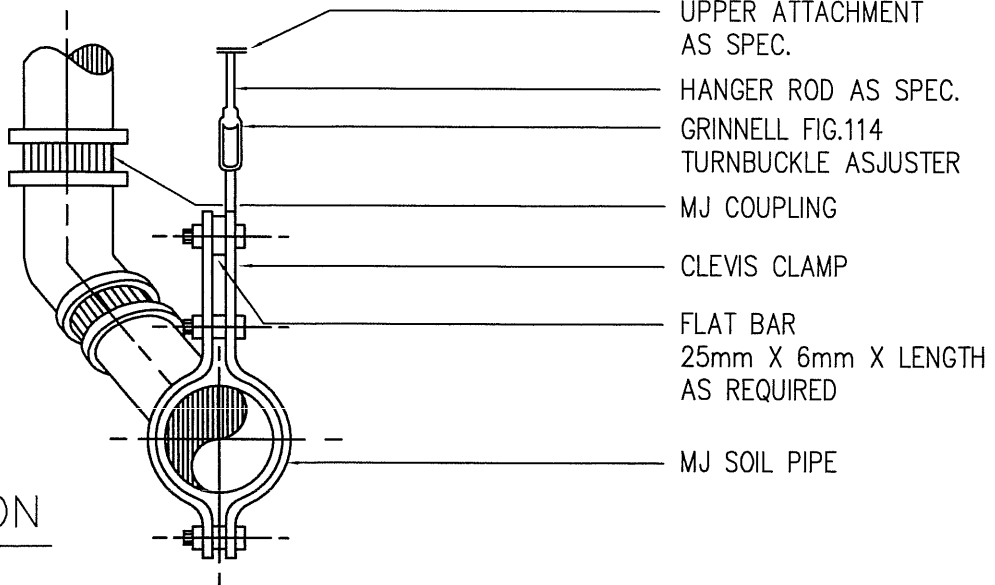
SMS Engineering Ltd. Consulting Engineers
 770 Bradford Street Winnipeg MB Canada R3H 0N3
 Telephone 204.775.0291 Fax 204.772.2153
 sms@smseng.com

SPECIFICATION DETAIL

HANGER DETAIL ABOVE GRADE

Drawn By SMS	Approved By SMS	Reference 4151
File No. 04-214-01	Date MARCH 2007	Detail Sheet PD-9

SECTION



M.J. PIPE & FITTING – HANGER DETAIL

'ISSUED WITH ADDENDUM NO. 1'

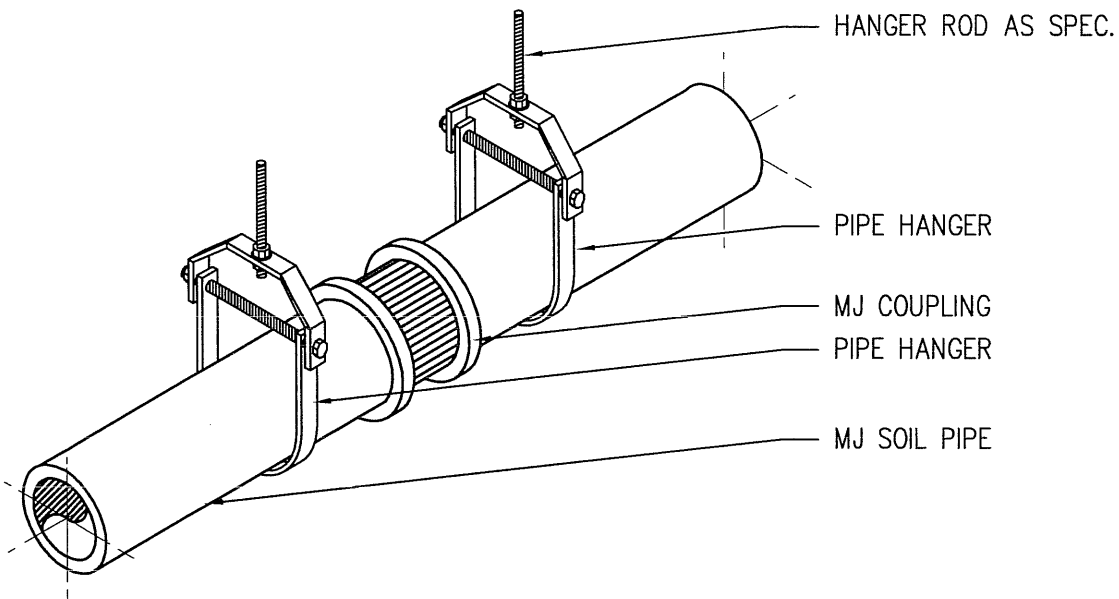
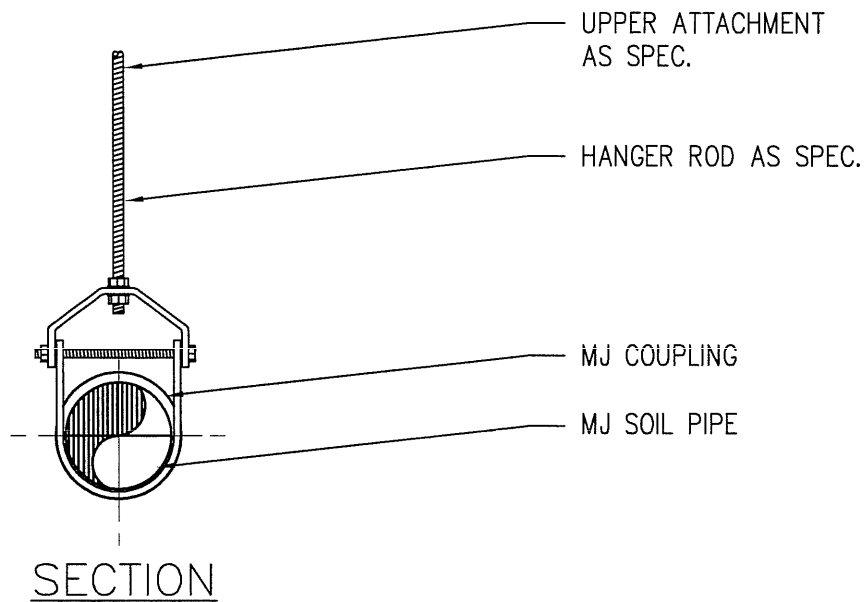
SMS ENGINEERING

SMS Engineering Ltd. Consulting Engineers
 770 Bradford Street Winnipeg MB Canada R3H 0N3
 Telephone 204.775.0291 Fax 204.772.2153
 sms@smseng.com

SPECIFICATION
 DETAIL

HANGER DETAIL
 ABOVE GRADE

Drawn By SMS	Approved By SMS	Reference 4150
File No. 04-214-01	Date MARCH 2007	Detail Sheet PD-10



M.J. PIPE & FITTING — HANGER DETAIL

'ISSUED WITH ADDENDUM NO. 1'

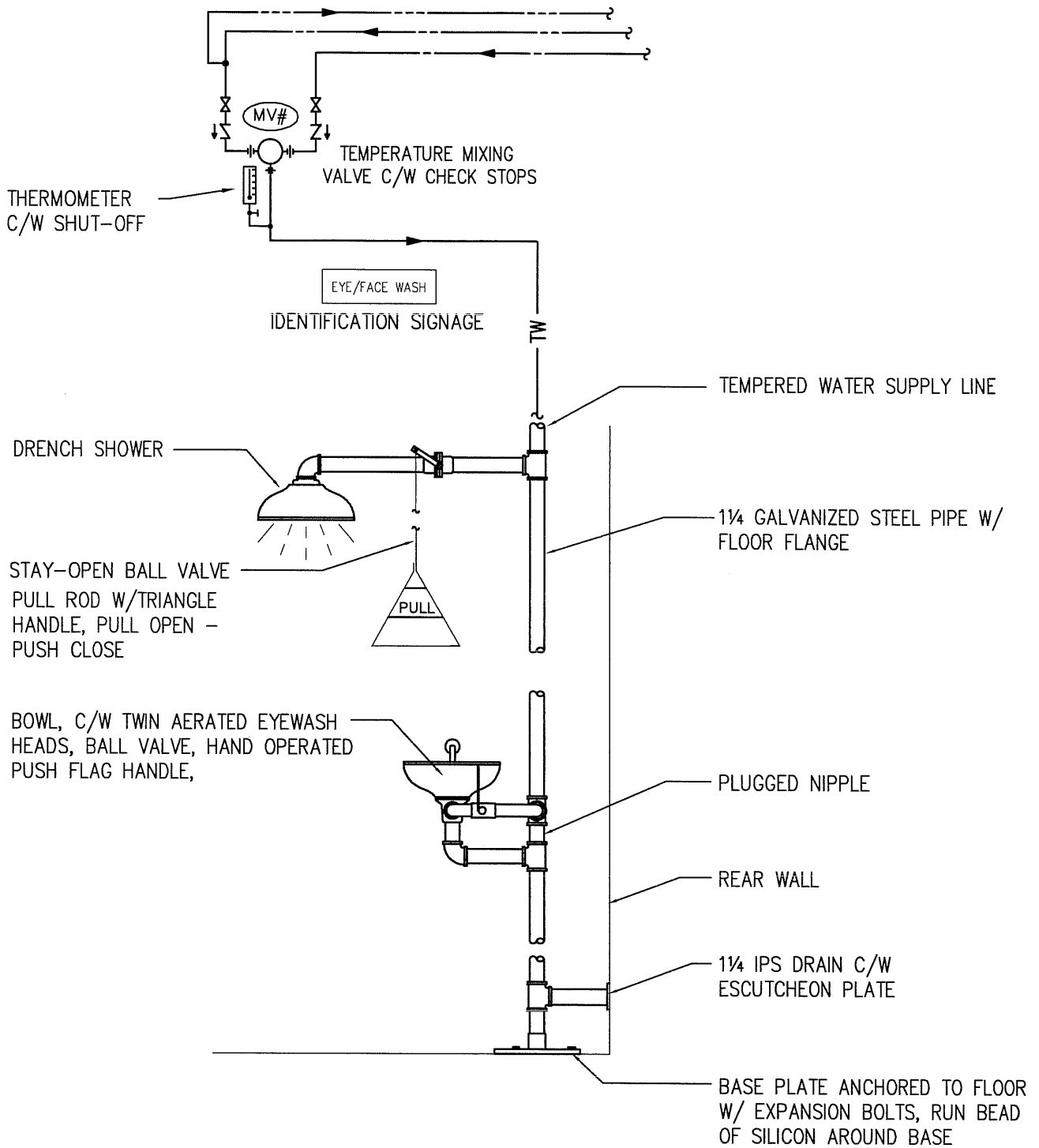
SMS ENGINEERING

SMS Engineering Ltd. Consulting Engineers
 770 Bradford Street Winnipeg MB Canada R3H 0N3
 Telephone 204.775.0291 Fax 204.772.2153
 sms@smseng.com

SPECIFICATION
 DETAIL

HANGER DETAIL
 ABOVE GRADE

Drawn By SMS	Approved By SMS	Reference 4152A
File No. 04-214-01	Date MARCH 2007	Detail Sheet PD-11



COMBINATION DRENCH SHOWER/EYE-WASH STATION DETAIL

N.T.S.

'ISSUED WITH ADDENDUM NO. 1'

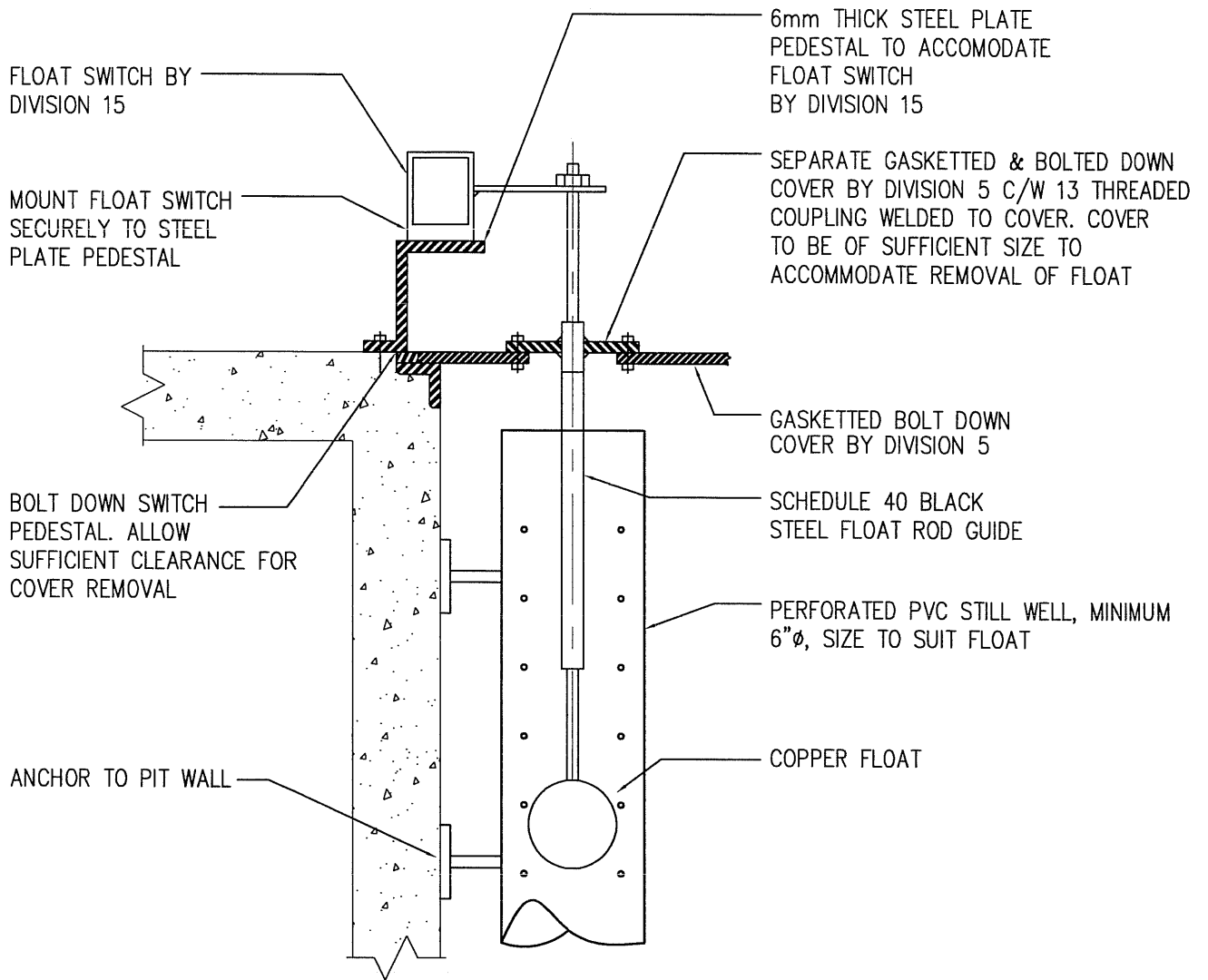
SMS ENGINEERING

SMS Engineering Ltd. Consulting Engineers
 770 Bradford Street Winnipeg MB Canada R3H 0N3
 Telephone 204.775.0291 Fax 204.772.2153
 sms@smseng.com

**SPECIFICATION
 DETAIL**

**COMBINATION DRENCH SHOWER
 /EYEWASH STATION DETAIL**

Drawn By SMS	Approved By SMS	Reference 4260
File No. 04-214-01	Date MARCH 2007	Detail Sheet PD-12



SEWAGE PIT FLOAT SWITCH GUIDE AND SUPPORT
 N.T.S.

'ISSUED WITH ADDENDUM NO. 1'

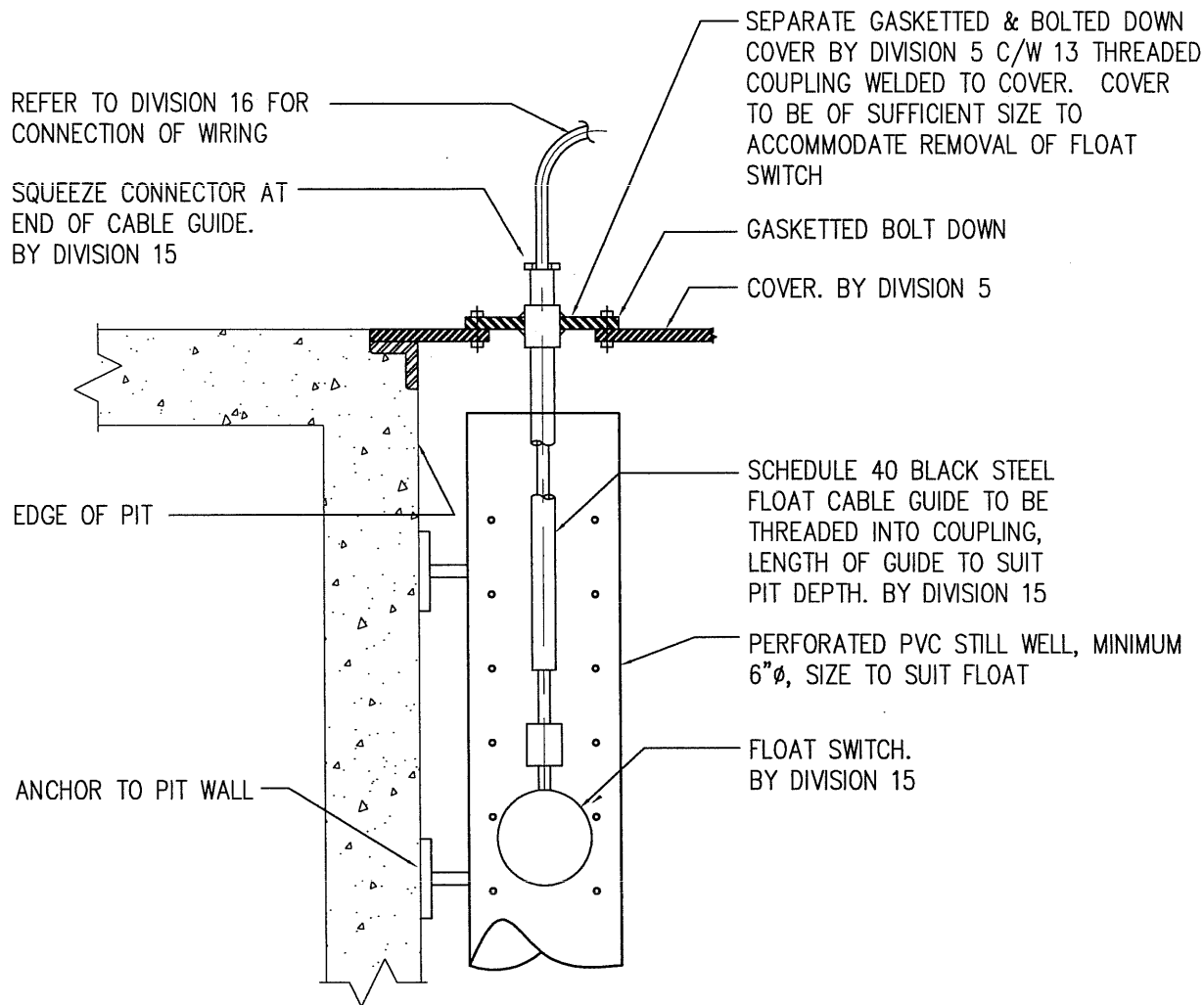
SMS ENGINEERING

SMS Engineering Ltd. Consulting Engineers
 770 Bradford Street Winnipeg MB Canada R3H 0N3
 Telephone 204.775.0291 Fax 204.772.2153
 sms@smseng.mb.ca

SPECIFICATION
 DETAIL

FLOAT SWITCH DETAIL
 SEWAGE PIT

Drawn By SMS	Approved By JTW	Reference 4120
File No. 04-214-01	Date MARCH 2007	Detail Sheet PD-13



NOTE:

- USE FOR MERCURY SWITCH FLOAT CONTROLS FOR SUMP OR SEWAGE PUMPS
- COORDINATE WITH ELECTRICAL

SEWAGE PIT FLOAT CONTROL CABLE GUIDE

N.T.S.

ISSUED WITH ADDENDUM NO. 1'

SMS ENGINEERING

SMS Engineering Ltd. Consulting Engineers
 770 Bradford Street Winnipeg MB Canada R3H 0N3
 Telephone 204.775.0291 Fax 204.772.2153
 sms@smseng.mb.ca

**SPECIFICATION
 DETAIL**

**FLOAT CONTROL DETAIL
 SEWAGE PIT**

Drawn By SMS	Approved By JTW	Reference 4130
File No. 04-214-01	Date MARCH 2007	Detail Sheet PD-14