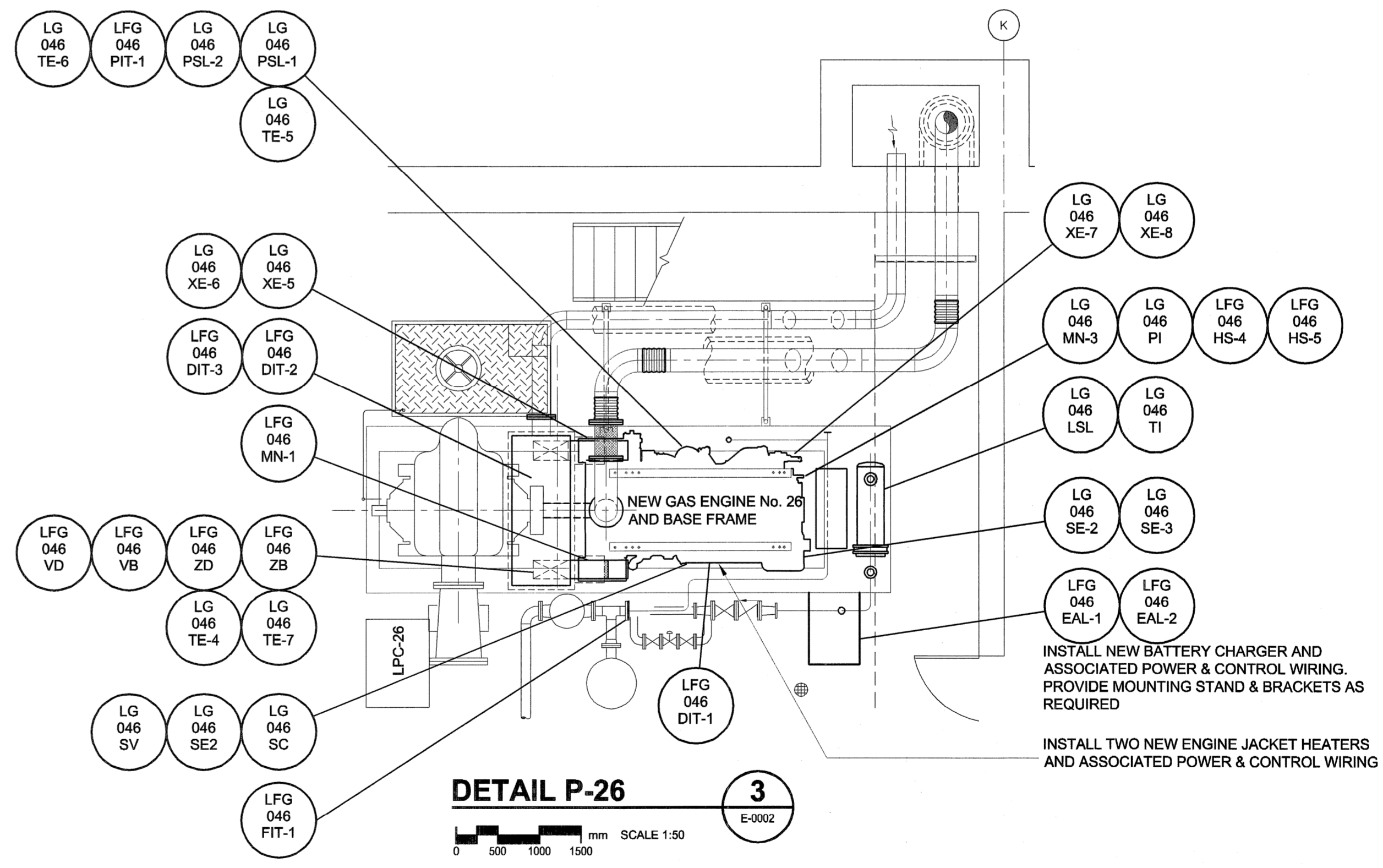
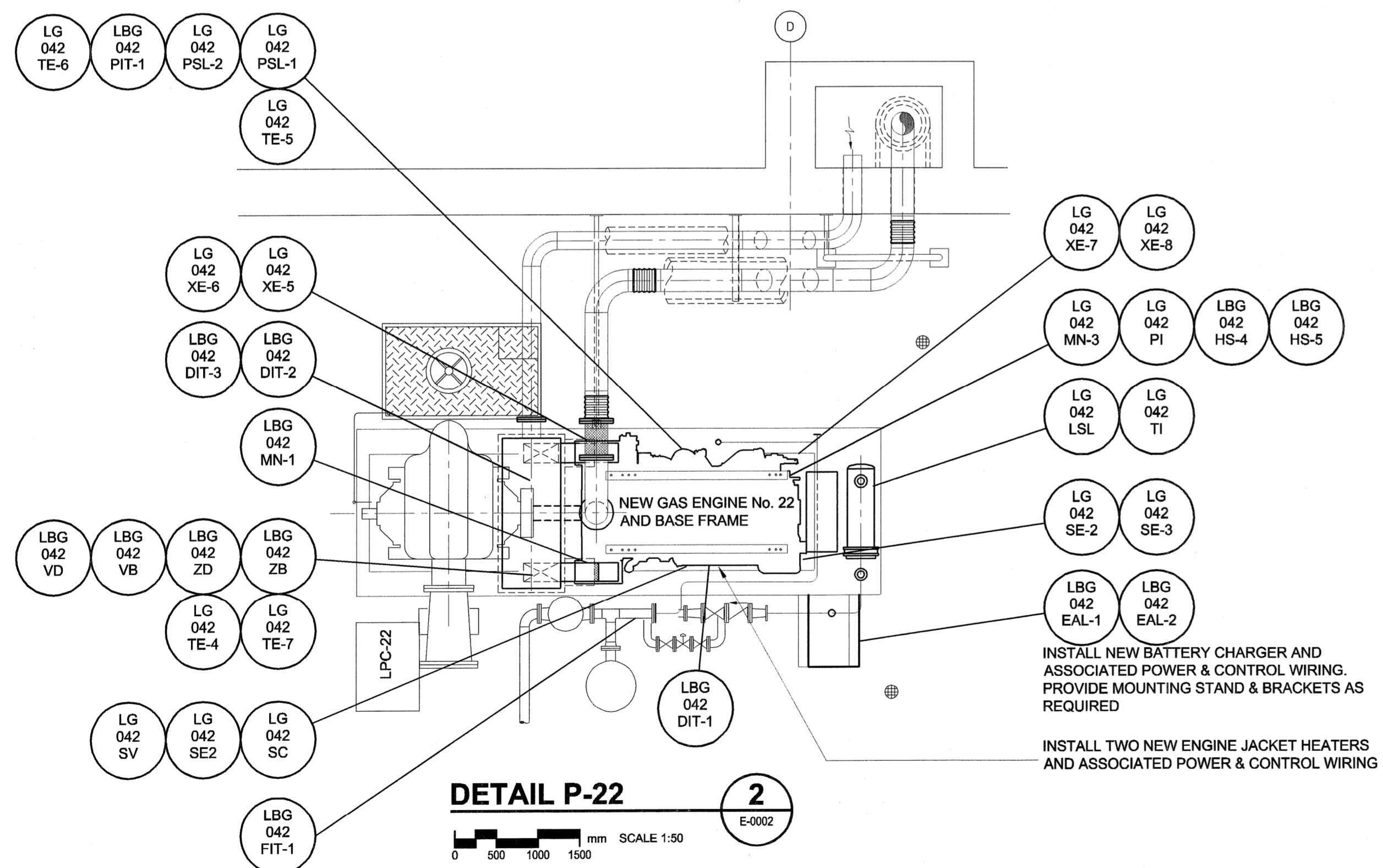


PLAN
SCALE 1:100
E-0002

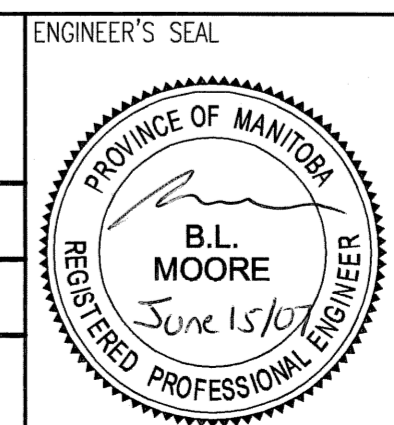


NOTE:
ALL FIELD WIRING TO BE NEW.

DRN	CHK	DES	ENG	IDR
UMA AECOM REVIEW				

APEGM
Certificate of Authorization
UMA Engineering Ltd. (MB)
No. 256 Date: June 15/10

B.M. ELEV.	FIELD BOOK #:	UMA AECOM	
POSTED TO LBIS		© 2008 UMA ENGINEERING LTD. ALL RIGHTS RESERVED.	
		DESIGNED BY JKM	CHECKED BY
		DRAWN BY SCK	APPROVED BY
		HOR. SCALE AS NOTED	RELEASED FOR CONSTRUCTION
		VERTICAL AS NOTED	
C ISSUED FOR BID	07/06/15	SCK	
B ISSUED FOR 99% REVIEW	07/05/04	SCK	
A ISSUED FOR 75% REVIEW	07/03/15	SCK	
NO. REVISIONS	DATE	BY	DATE
			07/03/09
FILENAME: D265-199-00_01-E-0002_RX.dwg			



THE CITY OF WINNIPEG
WATER AND WASTE DEPARTMENT

G. C. MACLEAN PUMPING STATION
Contract No.
Natural Gas Engine Drives Replacement
PUMP/ENGINE LEVEL FLOOR PLAN

CITY DRAWING NUMBER: 1-0630A-D-E0002
SHEET: 001
REV: C
SIZE: D