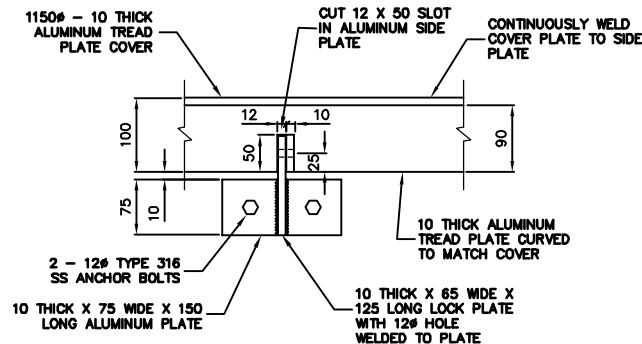
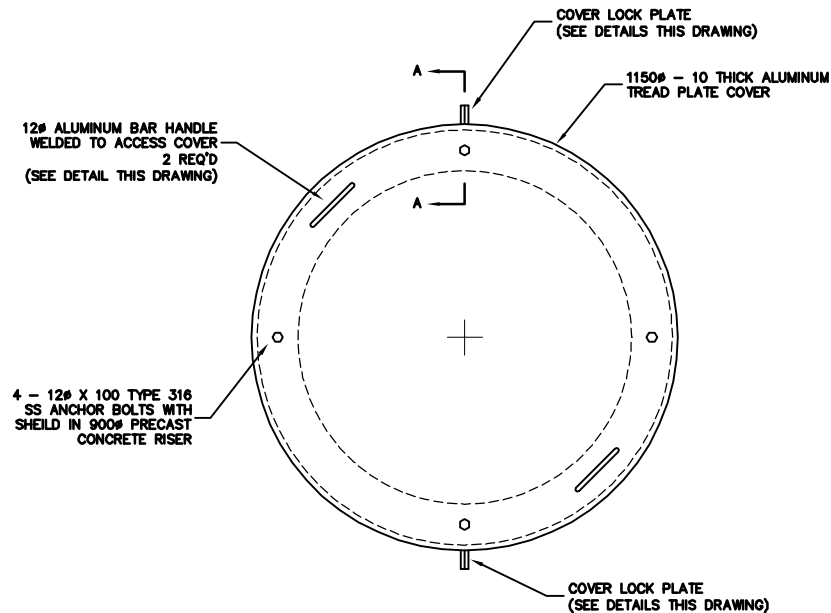


SECTION B-B
SCALE 1:30

NOTE:
1. SEE DRAWING NO. 172 FOR EXISTING BUILDING DIMENSIONS AND DETAILS.
2. CONFIRM DIMENSIONS SHOWN ±.



ACCESS COVER LOCK
PLATE DETAIL
SCALE 1:5

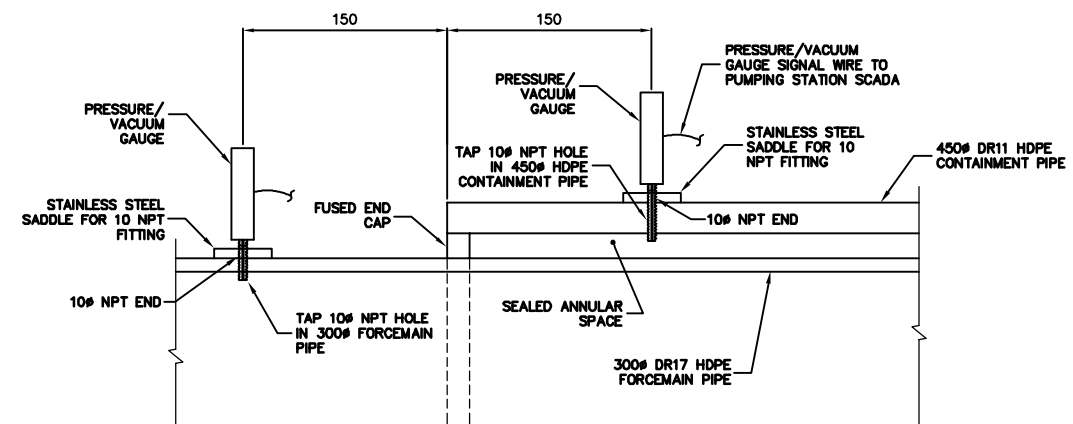


PRESSURE MONITORING MANHOLE
ACCESS COVER PLAN VIEW
SCALE 1:10

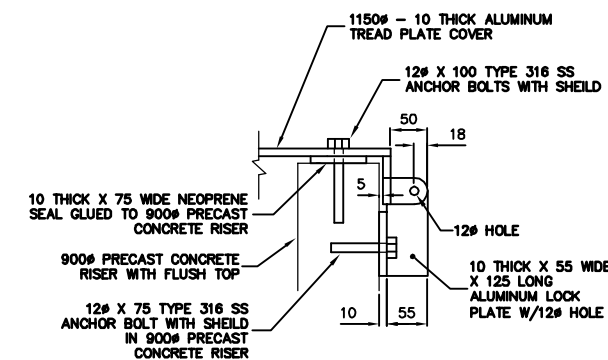
MATERIALS LIST

ITEM	DESCRIPTION	ENDS	LENGTH	QUANTITY
①	250# SCH 80 STEEL PIPE WITH 150#-45" SCH 80 STEEL WYE TO PUMP	FL X FL X FL	915±	1
②	REMOVABLE FLANGE	-	-	6
③	250# SCH 80 STEEL 45° SEGMENTED OFFSET PIPE	FL X FL	AS-REQUIRED	1
④	250# CL 52 DUCTILE IRON OR SCH 80 STEEL PIPE	PE X FL	600±	1
⑤	250# CL 52 DUCTILE IRON OR SCH 80 STEEL PIPE	PE X FL	810±	1
⑥	250# ROSEMOUNT FLOW METER	FL X FL	380	1
⑦	250# CL 52 DUCTILE IRON OR SCH 80 STEEL PIPE	PE X FL	570±	1
⑧	250# CI GATE VALVE	FL X FL	280	3
⑨	250# CL 52 DUCTILE IRON OR SCH 80 STEEL PIPE	PE X FL	1148±	1
⑩	250# CI 90° ELBOW	FL X FL	280 (E - FACE)	1
⑪	250# CL 52 DUCTILE IRON OR SCH 80 STEEL PIPE	FL X FL	660±	1
⑫	250# CL 52 DUCTILE IRON OR SCH 80 STEEL PIPE	PE X FL	600±	1
⑬	250# CI TEE	FL X FL X FL	280 LEG	1
⑭	250# CL 52 DUCTILE IRON OR SCH 80 STEEL PIPE	PE X FL	270±	2
⑮	250# CL 52 DUCTILE IRON OR SCH 80 STEEL PIPE	FL X FL	150±	1
⑯	250# SERIES 900 UNI-FLANGE ADAPTER FLANGE	-	-	2
⑰	250# AWWA C900 CL 150 PVC PIPE	PE X PE	760±	2
⑱	250# CI BASE ELBOW	FL X FL	280 (E - FACE)	1

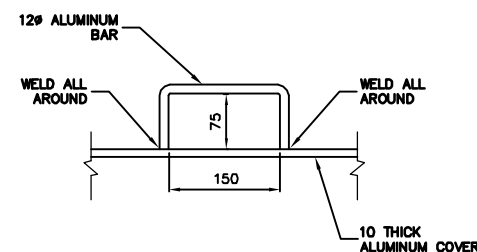
NOTE: LENGTHS SHOWN AS ± TO BE FIELD CONFIRMED



PRESSURE MONITORING GAUGE DETAIL
SCALE 1:5



SECTION A-A
SCALE 1:5



COVER HANDLE DETAIL
SCALE 1:5

200 WM	WATERMAIN	200 WM	SL, HYDRO	150 WM	WATERMAIN	150 WM
⊕	HYDRANT	⊕	MTS	⊕	HYDRANT	⊕
⊙	VALVE	⊙	TRAFFIC SIGNALS	⊙	VALVE	⊙
525 LDS	LAND DRAINAGE SEWER	525 LDS	GAS	50 GAS	300 LDS	LAND DRAINAGE SEWER
375 WWS	WASTEWATER SEWER	375 WWS	SURVEY BAR	250 WWS	250 WWS	WASTEWATER SEWER
○	MANHOLE	●	FENCE	⊗	⊗	PROFILE
□	CATCH BASIN	■	POLE - HYDRO, MTS	⊘	⊘	GROUND ABOVE PIPE
▽	CURB INLET	▽	CURB STOP	⊙	⊙	☉ DITCH (NORTH & WEST)
⊕	JUNCTIONS	⊕	GUY ANCHOR	⊕	⊕	☉ DITCH (SOUTH & EAST)
⊕	CULVERT	⊕	LIGHT STANDARD	⊕	⊕	⊕ GUTTER (NORTH & WEST)
⊕	ANODE	⊕	TREE	⊕	⊕	⊕ GUTTER (SOUTH & EAST)
EXISTING	LEGEND-PLAN	PROPOSED	EXISTING	LEGEND-PLAN	PROPOSED	EXISTING
EXISTING	LEGEND-PROFILE	PROPOSED	EXISTING	LEGEND-PROFILE	PROPOSED	EXISTING

LOCATION APPROVED
UNDERGROUND STRUCTURES

SUPV. U/G STRUCTURES COMMITTEE DATE
NOTE:
LOCATION OF UNDERGROUND STRUCTURES AS SHOWN ARE BASED ON THE BEST INFORMATION AVAILABLE BUT NO GUARANTEE IS GIVEN THAT THE GIVEN LOCATIONS ARE EXACT. CONFIRMATION OF EXISTENCE AND EXACT LOCATION OF ALL SERVICES MUST BE OBTAINED FROM THE INDIVIDUAL UTILITIES BEFORE PROCEEDING WITH CONSTRUCTION.

B.M. ELEV.	FIELD BOOK #
POSTED TO LBS	
NO.	REVISIONS
DATE	BY

CITY OF WINNIPEG
WATER AND WASTE
ENGINEERING DIVISION

DESIGNED BY TW CHECKED BY TW
DRAWN BY C.J.H. APPROVED BY K.Z.
HOR. SCALE AS VERTICAL SHOWN
DATE 2006 09 18

ENGINEER'S SEAL
ORIGINAL SIGNED BY
K.R. ZUREK
06/09/22
FILE NAME: 05961 to 05965.dwg
PLOT DATE: 2006 09 18

METRIC
WHOLE NUMBERS INDICATE MILLIMETRES
DECIMALIZED NUMBERS INDICATE METRES

THE CITY OF WINNIPEG
WATER AND WASTE DEPARTMENT

2006 RENEWAL OF THE HART WASTEWATER PUMPING STATION FORCEMAIN RED RIVER CROSSING AND STATION PIPING MODIFICATIONS

PUMPING STATION PIPING MODIFICATIONS
DETAILS

SHEET 5 OF 5
CITY DRAWING NUMBER
05965