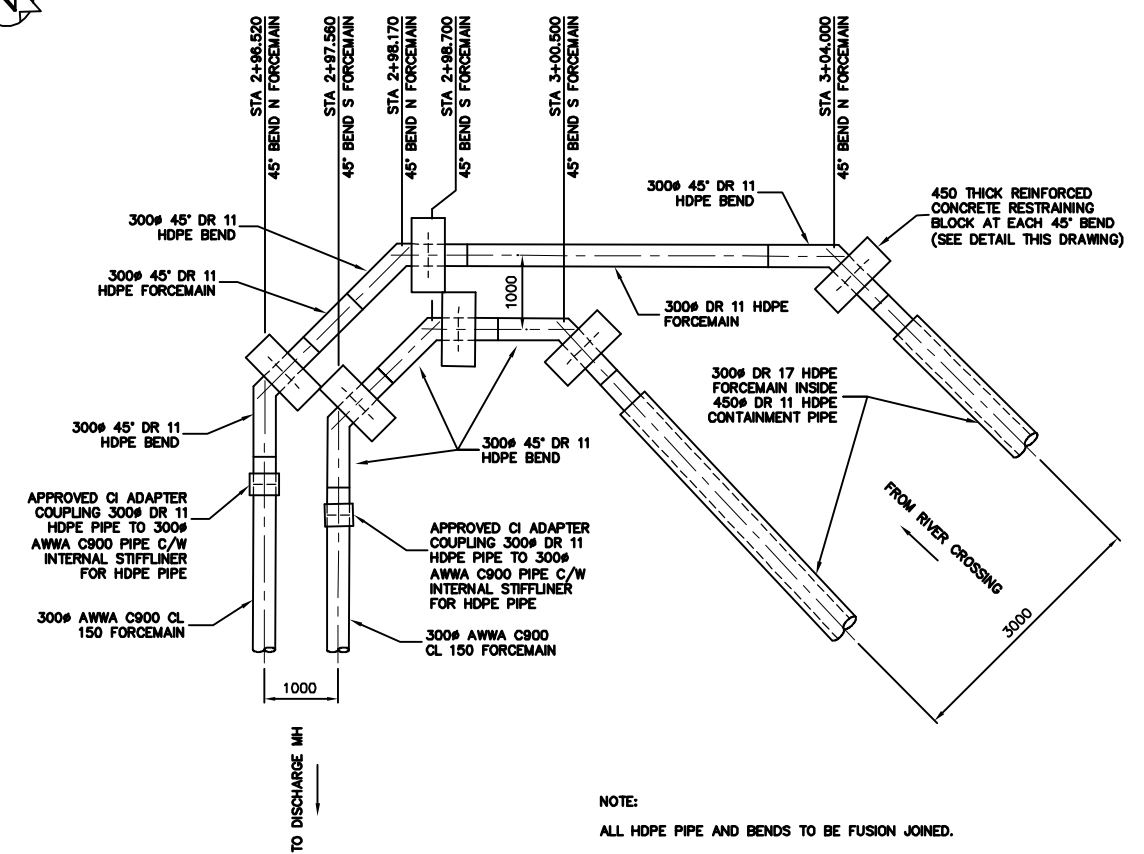
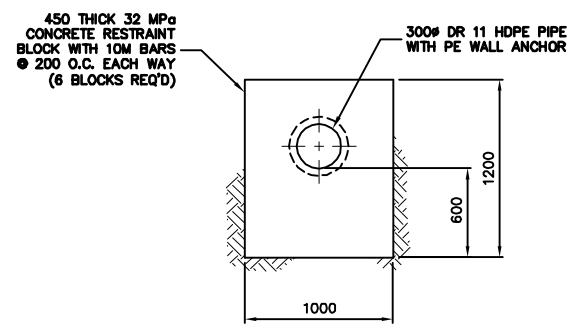


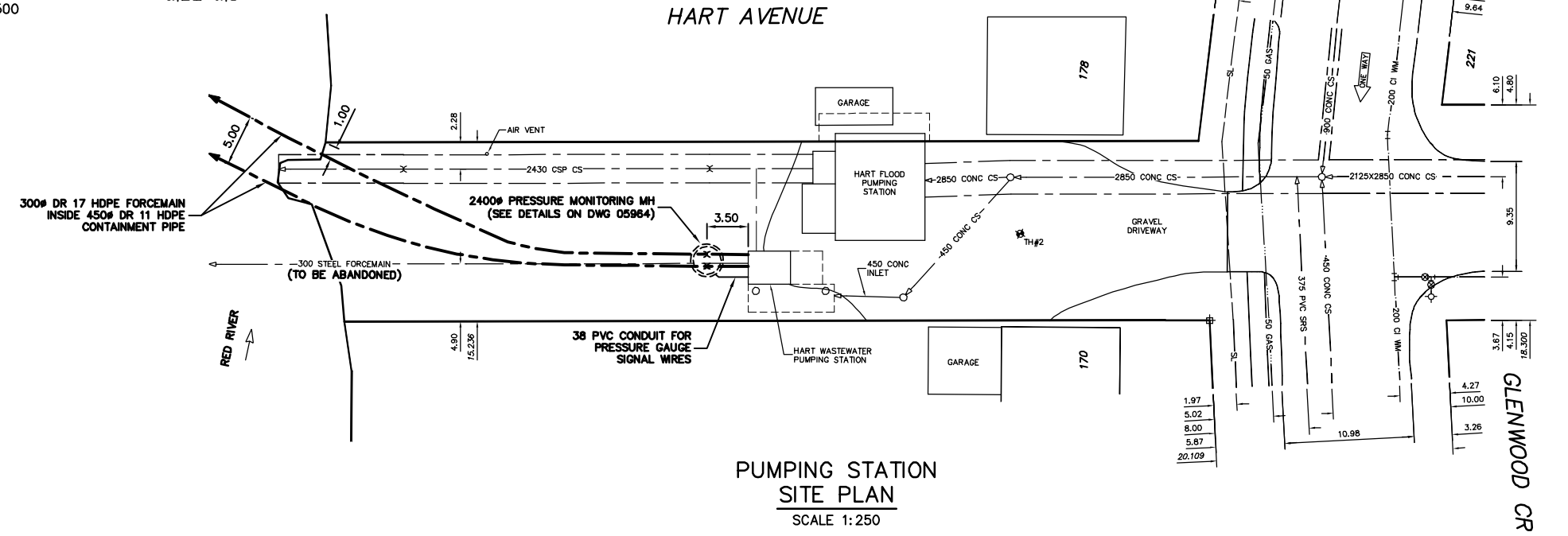
ST. JOHN'S PARK  
SITE PLAN  
SCALE 1:500



HDPE TO PVC PIPE TRANSITION DETAIL  
SCALE 1:50



REINFORCED CONCRETE  
RESTRAINT BLOCK DETAIL  
SCALE 1:25



PUMPING STATION  
SITE PLAN  
SCALE 1:250



METRIC  
WHOLE NUMBERS INDICATE MILLIMETRES  
DECIMALIZED NUMBERS INDICATE METRES

200 WM	WATERMAIN	200 WM	SL, HYDRO	150 WM	WATERMAIN	150 WM
⊕	HYDRANT	⊕	MTS	+	HYDRANT	+
⊙	VALVE	⊙	TRAFFIC SIGNALS	X	VALVE	X
525 LDS	LAND DRAINAGE SEWER	525 LDS	GAS	300 LDS	LAND DRAINAGE SEWER	300 LDS
375 WWS	WASTEWATER SEWER	375 WWS	SURVEY BAR	250 WWS	WASTEWATER SEWER	250 WWS
○	MANHOLE	●	FENCE	-X-	PROFILE	
□	CATCH BASIN	■	POLE - HYDRO, MTS	=====	GROUND ABOVE PIPE	
▽	CURB INLET	◊	CURB STOP	△	☉ DITCH (NORTH & WEST)	
+	JUNCTIONS	←	GUY ANCHOR	▽	☉ DITCH (SOUTH & EAST)	
—	CULVERT	→	LIGHT STANDARD	□	GUTTER (NORTH & WEST)	
⊕	ANODE	⊕	TREE	○	GUTTER (SOUTH & EAST)	
EXISTING	LEGEND-PLAN	PROPOSED	EXISTING	LEGEND-PROFILE	PROPOSED	EXISTING

LOCATION APPROVED UNDERGROUND STRUCTURES	B.M. ELEV.	FIELD BOOK #:
SUPV. U/G STRUCTURES COMMITTEE	POSTED TO LBIS	
DATE		
NO.	REVISIONS	DATE BY

CITY OF WINNIPEG  
WATER AND WASTE  
ENGINEERING DIVISION

DESIGNED BY: TW	CHECKED BY: TW
DRAWN BY: C.J.H.	APPROVED BY: K.Z.
HOR. SCALE: AS SHOWN	RELEASED FOR CONSTRUCTION
DATE: 2006 09 22	DATE:

ENGINEER'S SEAL  
ORIGINAL SIGNED BY  
K.R. ZUREK  
06/09/22

THE CITY OF WINNIPEG  
WATER AND WASTE DEPARTMENT

2006 RENEWAL OF THE HART WASTEWATER PUMPING STATION FORCEMAIN RED RIVER CROSSING AND STATION PIPING MODIFICATIONS

RED RIVER CROSSING  
SITE PLANS

SHEET 2 OF 5  
CITY DRAWING NUMBER  
05962

BID OPPORTUNITY: 595-2006  
FILENAME: 05961 to 05965.dwg  
PLOT DATE: 2006 09 22