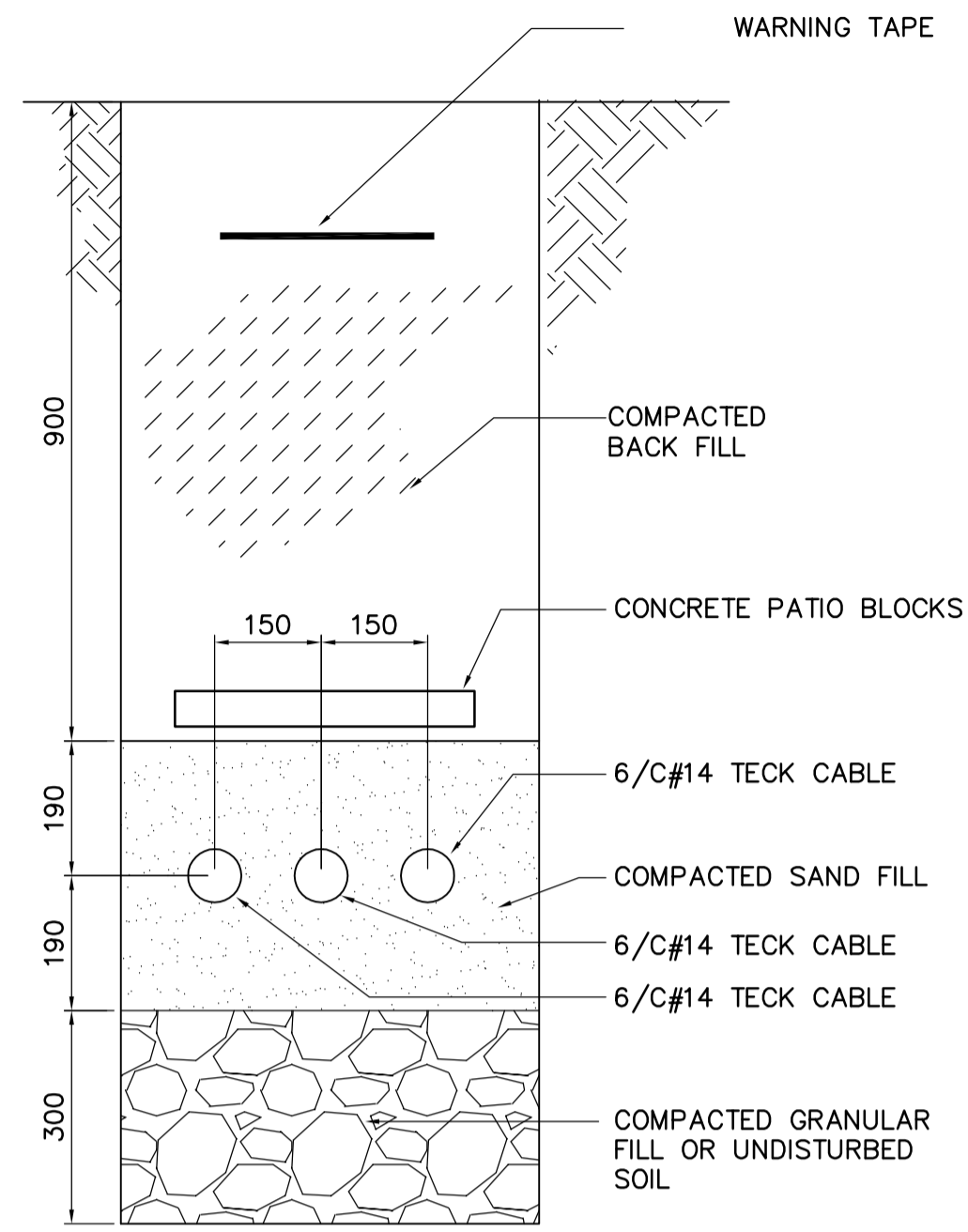
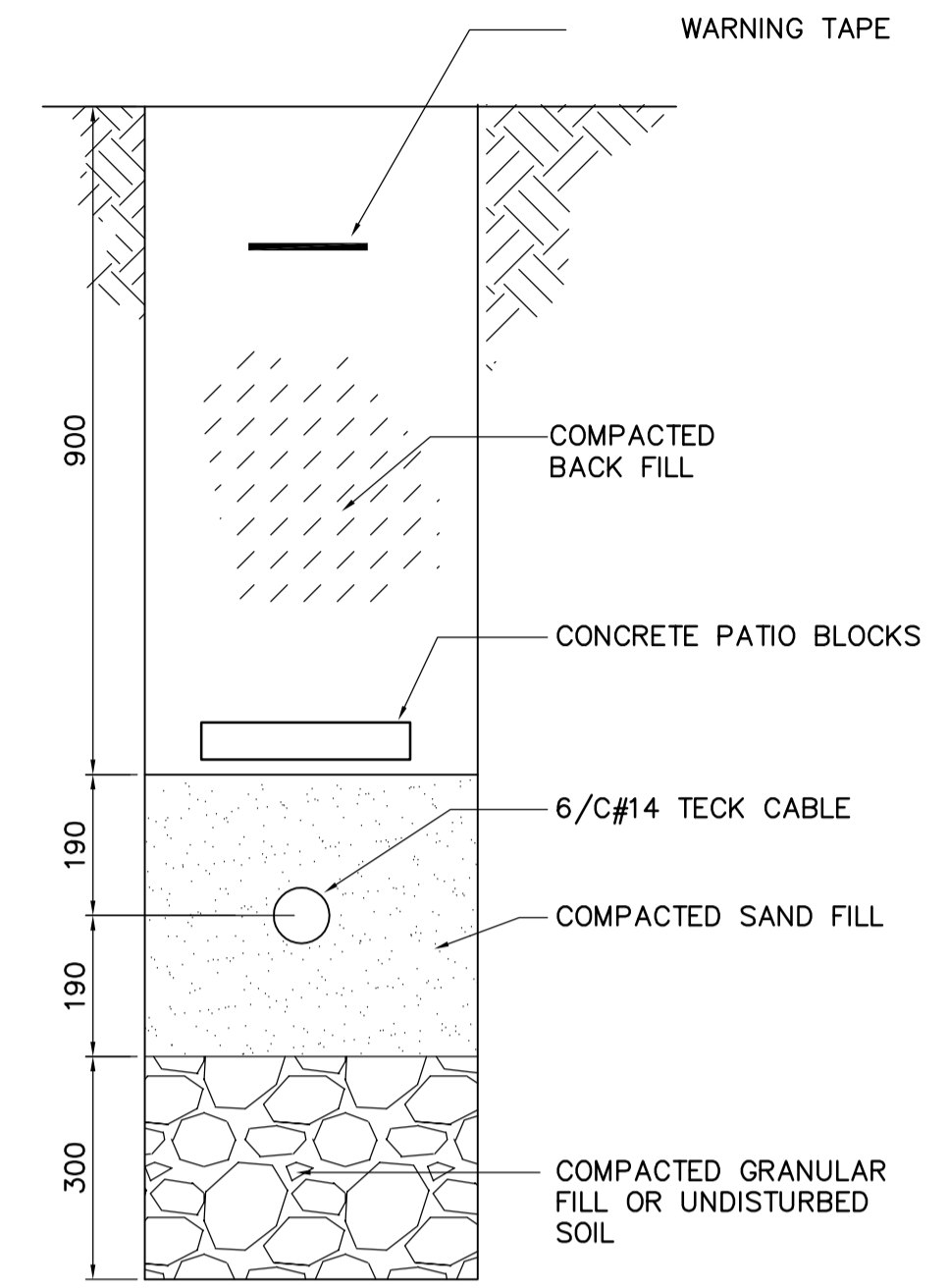


1 TRENCH SECTION
WT-E0001 SCALE: 1:10



2 TRENCH SECTION
WT-E0001 SCALE: 1:10



3 TRENCH SECTION
WT-E0001 SCALE: 1:10

<p>Certificate of Authorization Earth Tech Canada Inc. No. 730 Expiry: April 30, 2007</p>	B.M. ELEV.	<p>Frederickson Cooper ARCHITECTS</p>	<p>A Tyco International Ltd. Company</p>	ENGINEER'S SEAL	<p>THE CITY OF WINNIPEG WATER AND WASTE DEPARTMENT ENGINEERING DIVISION</p>	CITY FILE NUMBER		
				DESIGNED BY: BLM		CHECKED BY: PS	ORIGINAL SIGNED BY: B.L. MOORE	SHEET OF
				DRAWN BY: ERC		APPROVED BY: AHL	2006/09/28	CITY DRAWING NUMBER
				SCALE: AS SHOWN		RELEASED FOR CONSTRUCTION BY: R. SOROKOWSKI	CONSULTANT DRAWING NO. WT-E0401	1-0601T-A-E0401-001-000
	NO. REVISIONS	DATE	BY	DATE	2006/09/28	DATE	2006/09/28	ELECTRICAL SECTIONS