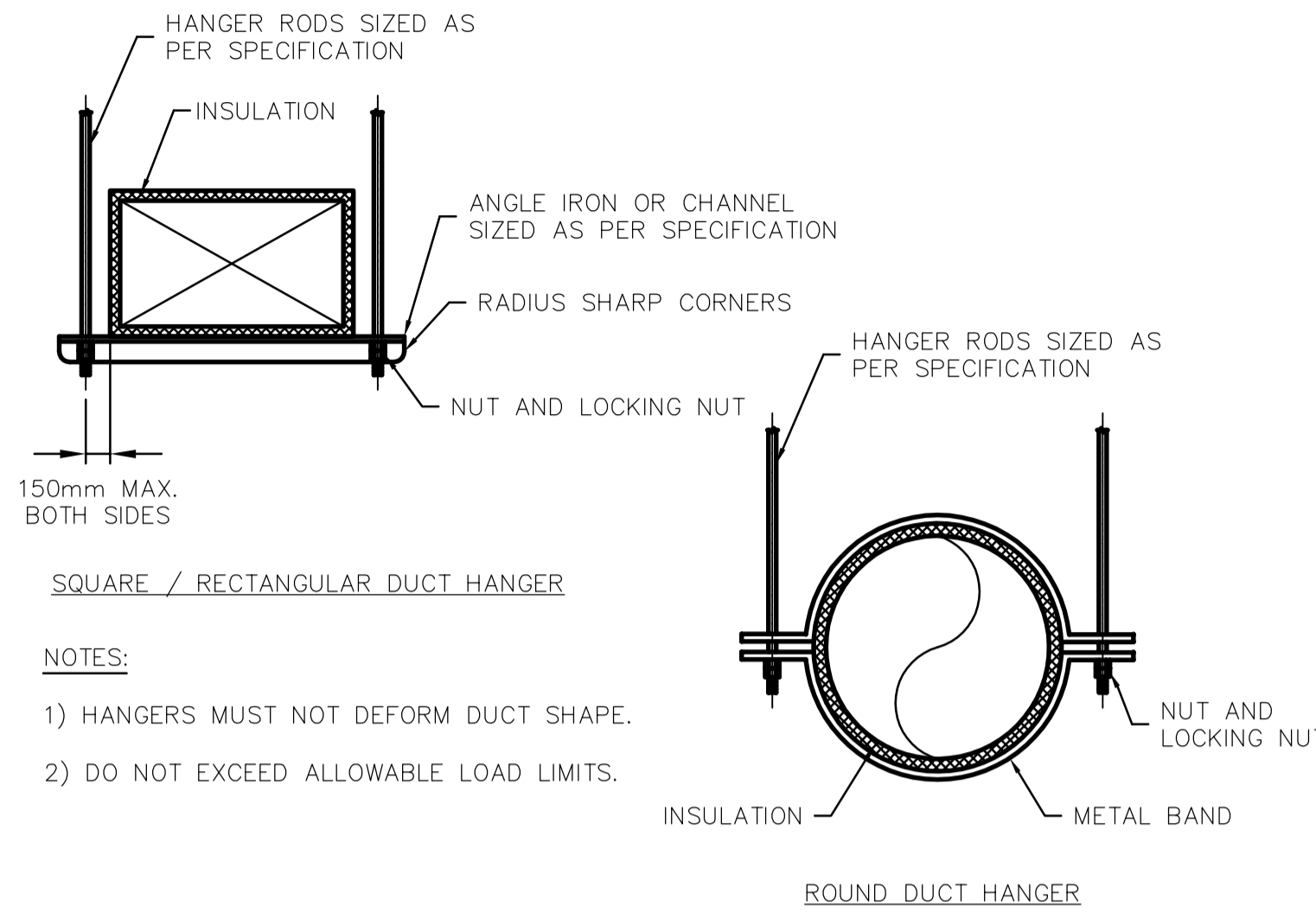
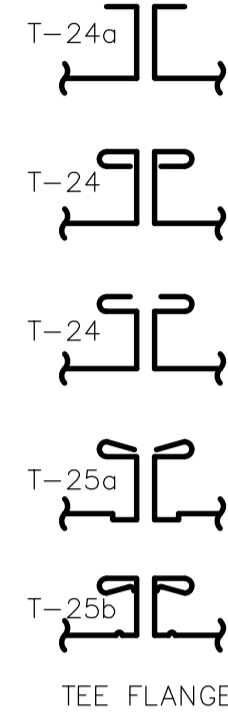
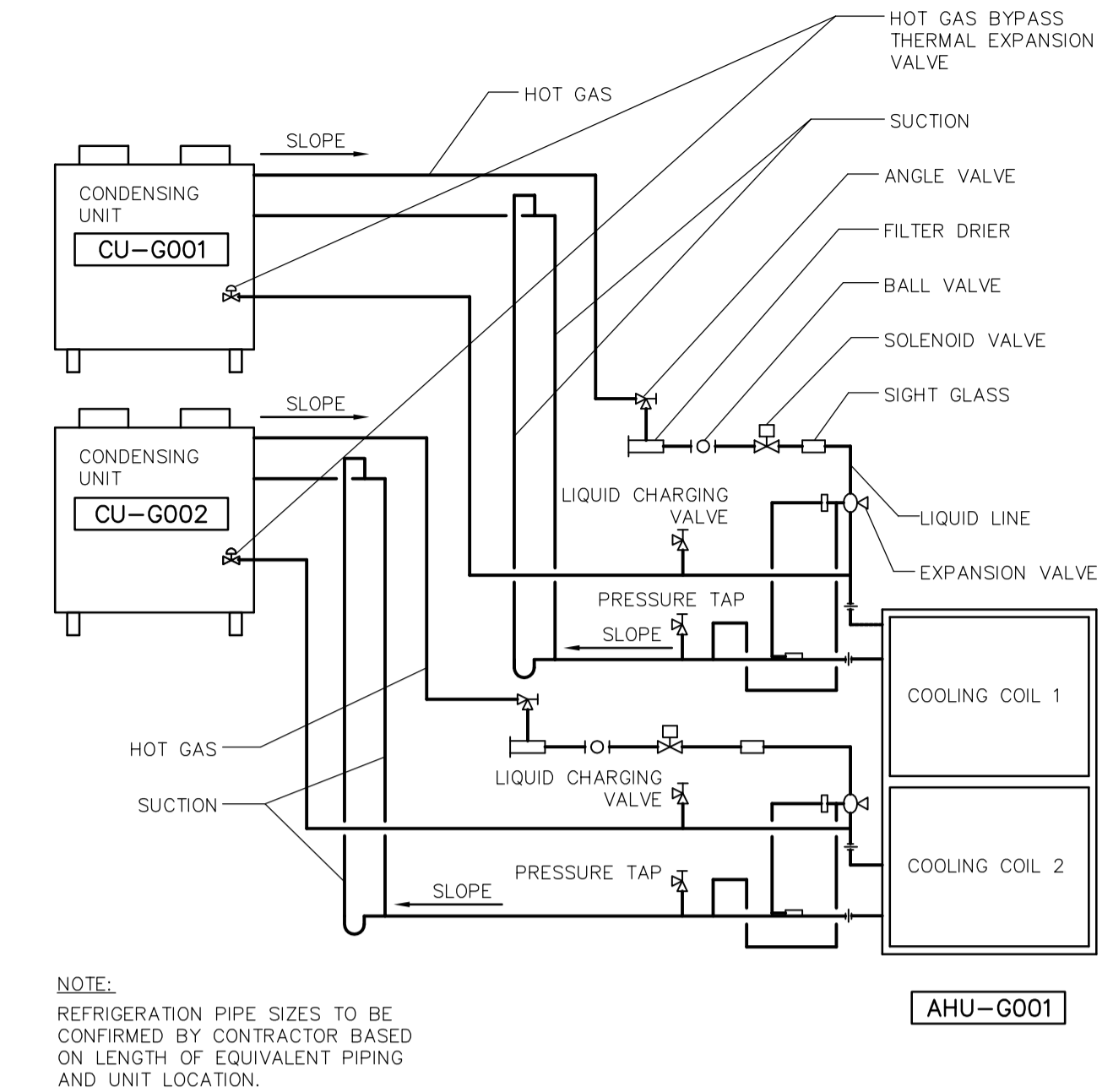


1 SQUARE/RECTANGULAR DUCTWORK CONSTRUCTION DETAIL
N.T.S.

NOTES:
SECURELY ATTACH ADDITIONAL METAL CLIPS ON FLANGES AT 380 mm MAXIMUM CENTRES FOR 750 Pa STATIC OR LESS AND AT 300 mm MAXIMUM CENTRES FOR HIGHER PRESSURES. 0.85 mm MINIMUM.
CONTINUOUS CLEATS MAY BE USED.

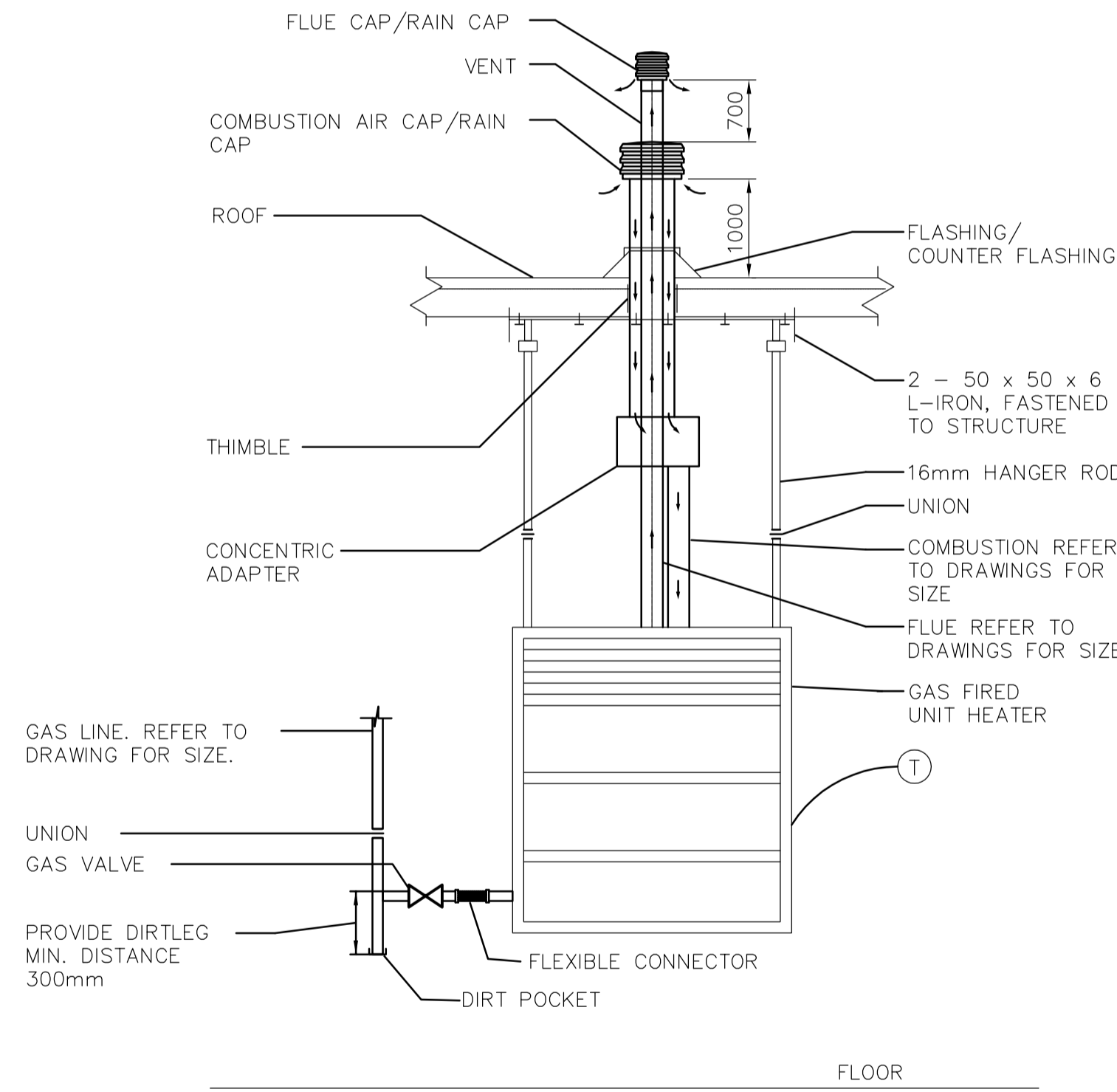


2 DUCTWORK SUPPORT AND HANGER DETAIL
N.T.S.



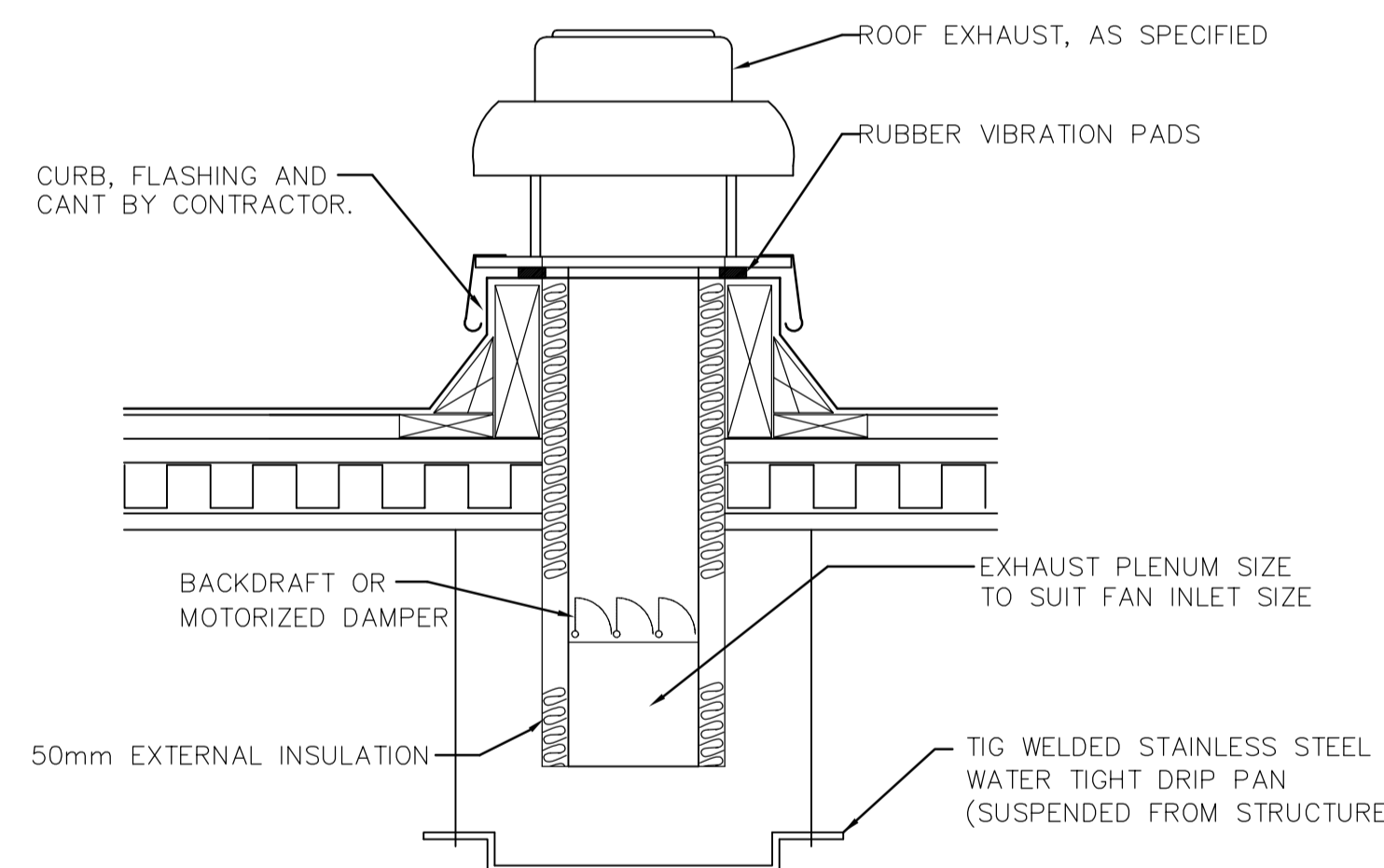
NOTE:
REFRIGERATION PIPE SIZES TO BE CONFIRMED BY CONTRACTOR BASED ON LENGTH OF EQUIVALENT PIPING AND UNIT LOCATION.

3 REFRIGERATION COIL PIPING SCHEMATIC
N.T.S.

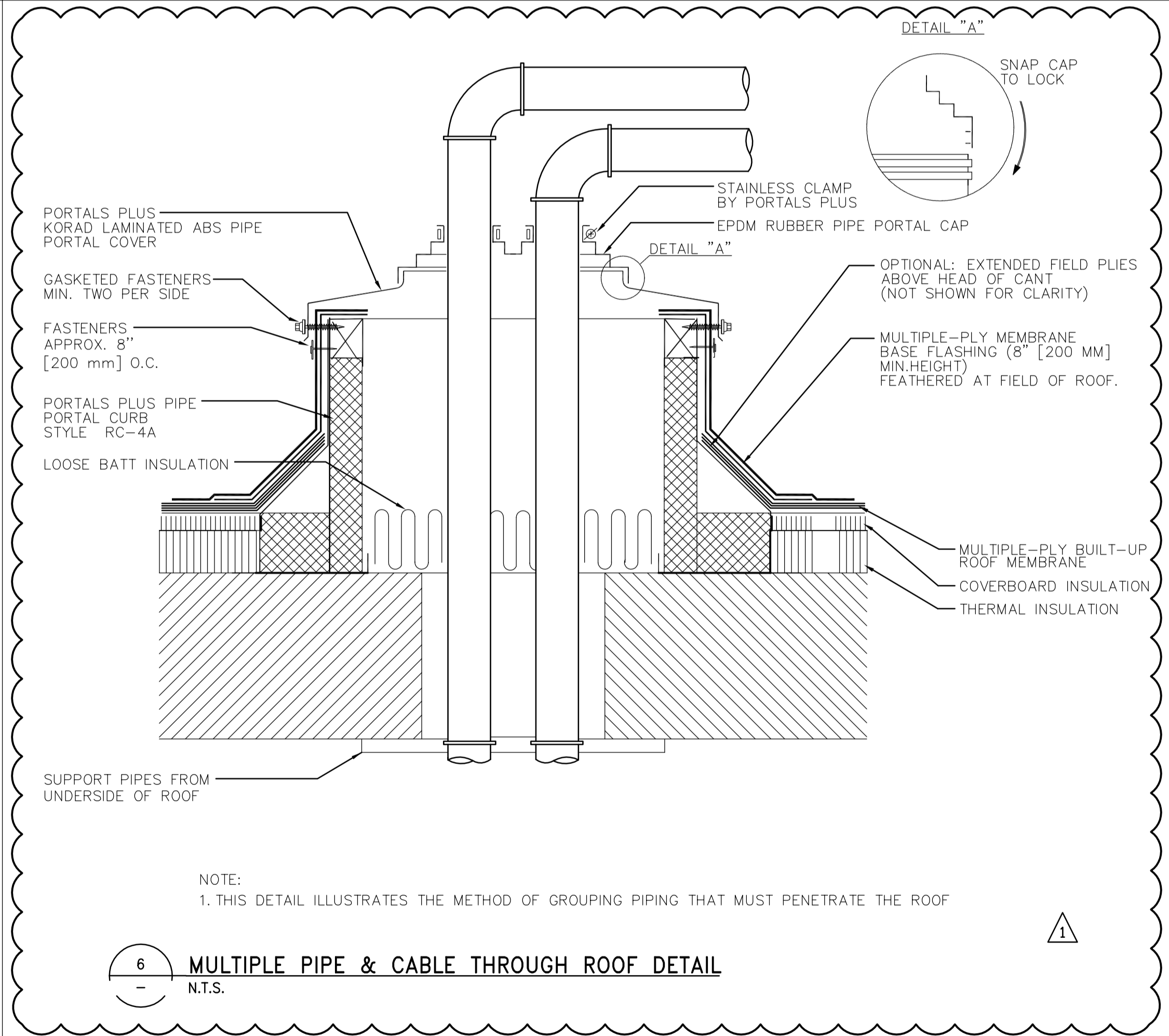


NOTE:
1. COMBUSTION AIR SHALL BE PER MANITOBA BUILDING CODE AND GAS CODE.

4 GAS FIRED UNIT HEATER DETAIL
N.T.S.



5 ROOF MOUNTED EXHAUST FAN
N.T.S.



NOTE:
1. THIS DETAIL ILLUSTRATES THE METHOD OF GROUPING PIPING THAT MUST PENETRATE THE ROOF

6 MULTIPLE PIPE & CABLE THROUGH ROOF DETAIL
N.T.S.



NO.	REVISIONS	DATE	BY	DATE	BY
01	498-2006 ADDENDUM 3	06/09/28	DC		
00	ISSUED FOR TENDER	06/08/28	LJW		

DESIGNED BY	AB/LJW	CHECKED BY	AMA, PVL
DRAWN BY	LJW	APPROVED BY	AHL
SCALE:	N.T.S.	RELEASED FOR CONSTRUCTION BY:	R. SOROKOWSKI
DATE	2006/05/29	DATE	2006/08/30

ENGINEER'S SEAL	ORIGINAL SIGNED BY	A. BURACHYNSKY
	DATE	2006/08/30
	CONSULTANT DRAWING NO.	WG-H0401

THE CITY OF WINNIPEG
WATER AND WASTE DEPARTMENT
ENGINEERING DIVISION

WATER TREATMENT PLANT
STANDBY POWER GENERATOR

MECHANICAL
VENTILATION STANDARD DETAIL

CITY FILE NUMBER
SHEET OF
CITY DRAWING NUMBER
1-0601G-A-H0401-001-010