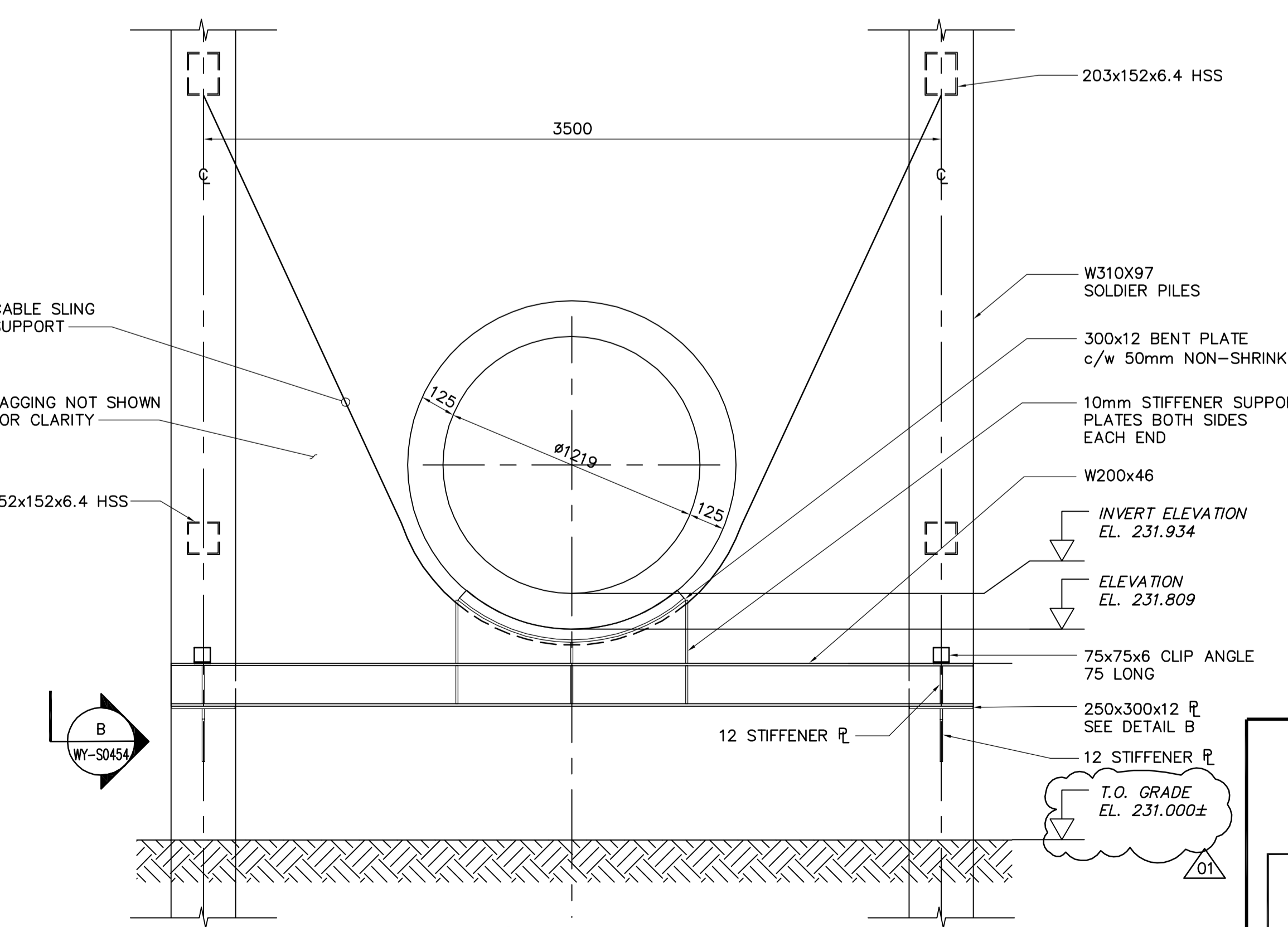
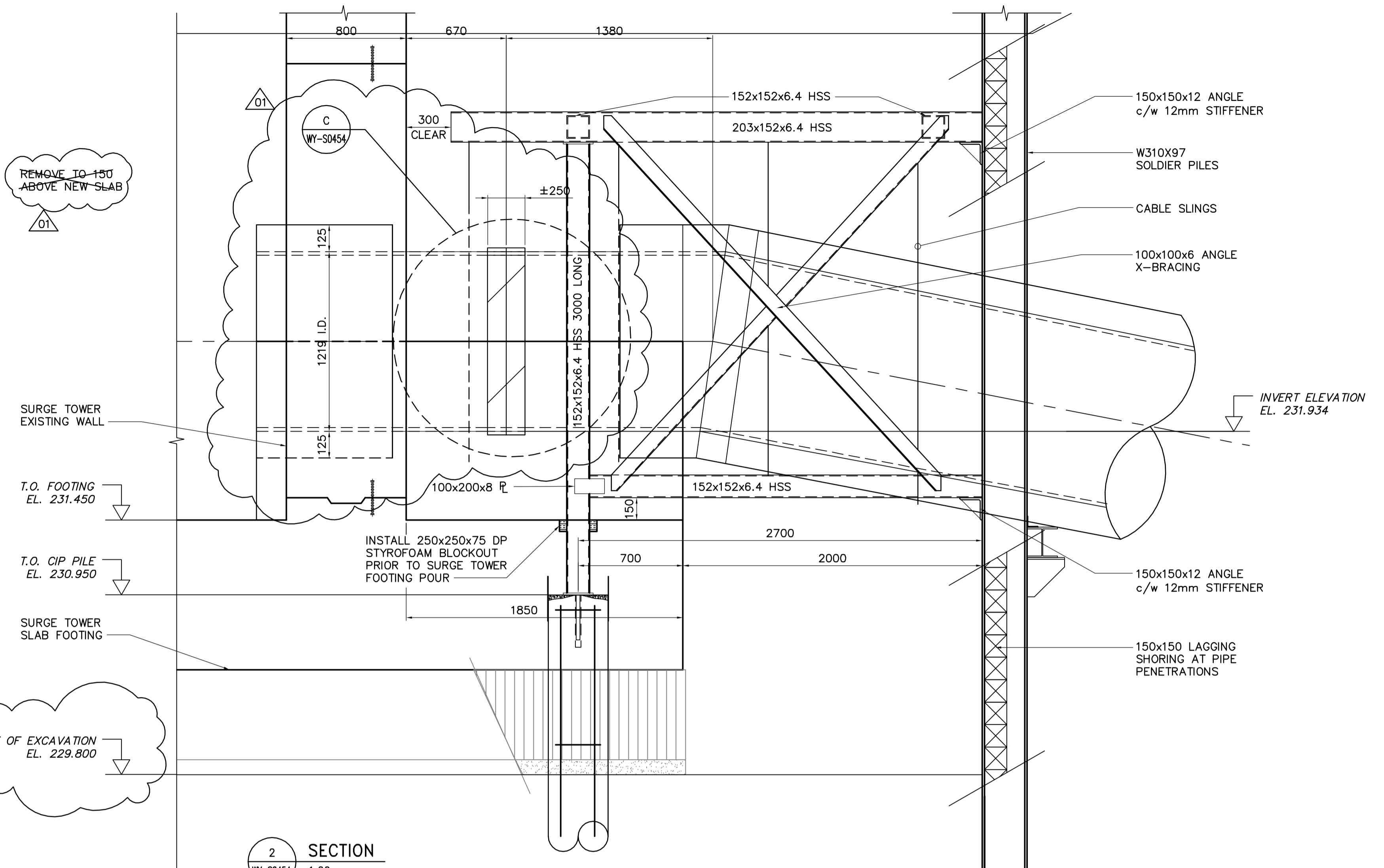


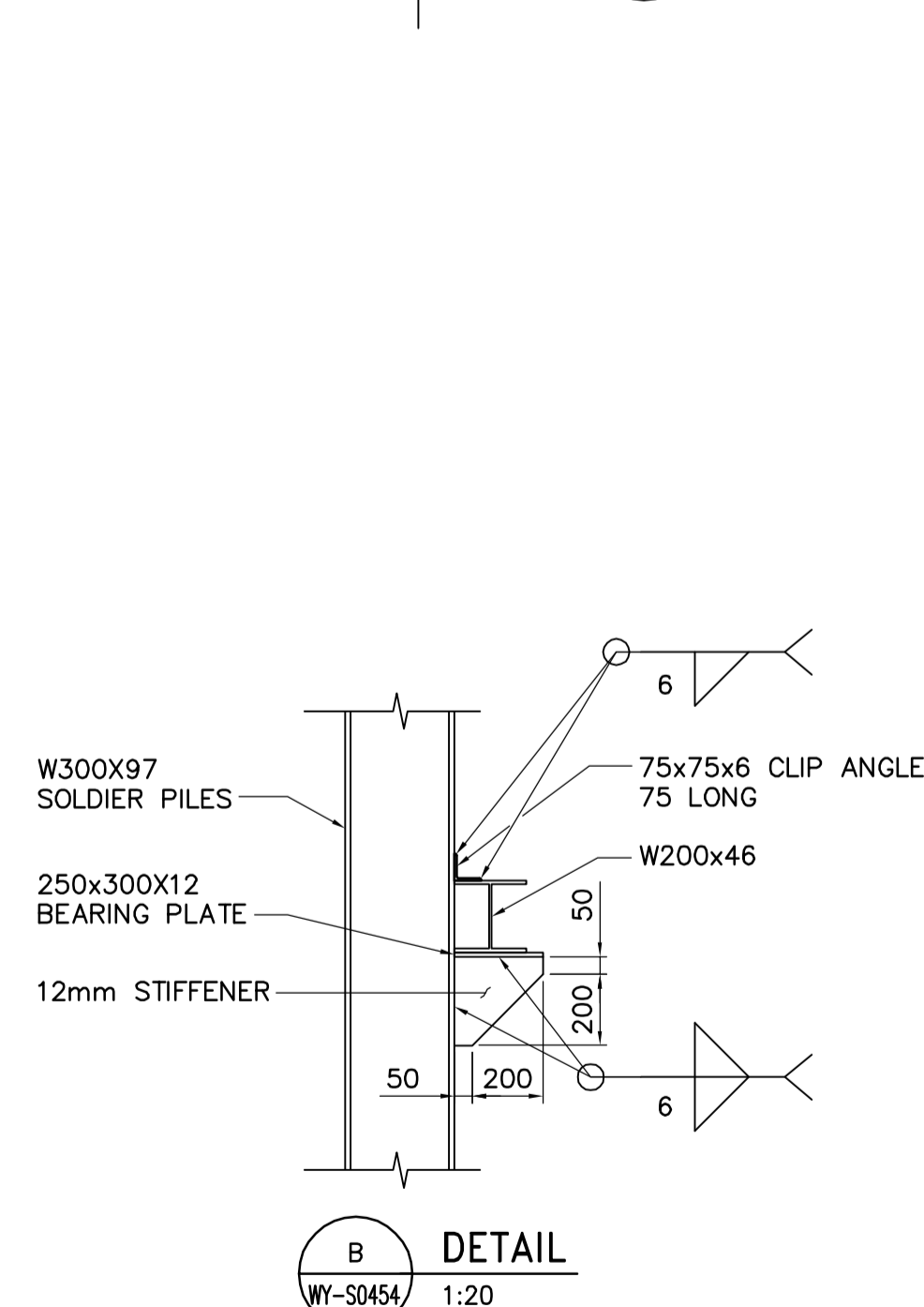
**A DETAIL**  
WY-S0452 1:20  
NOTE: CABLE SLINGS = 8 TONNE CAPACITY



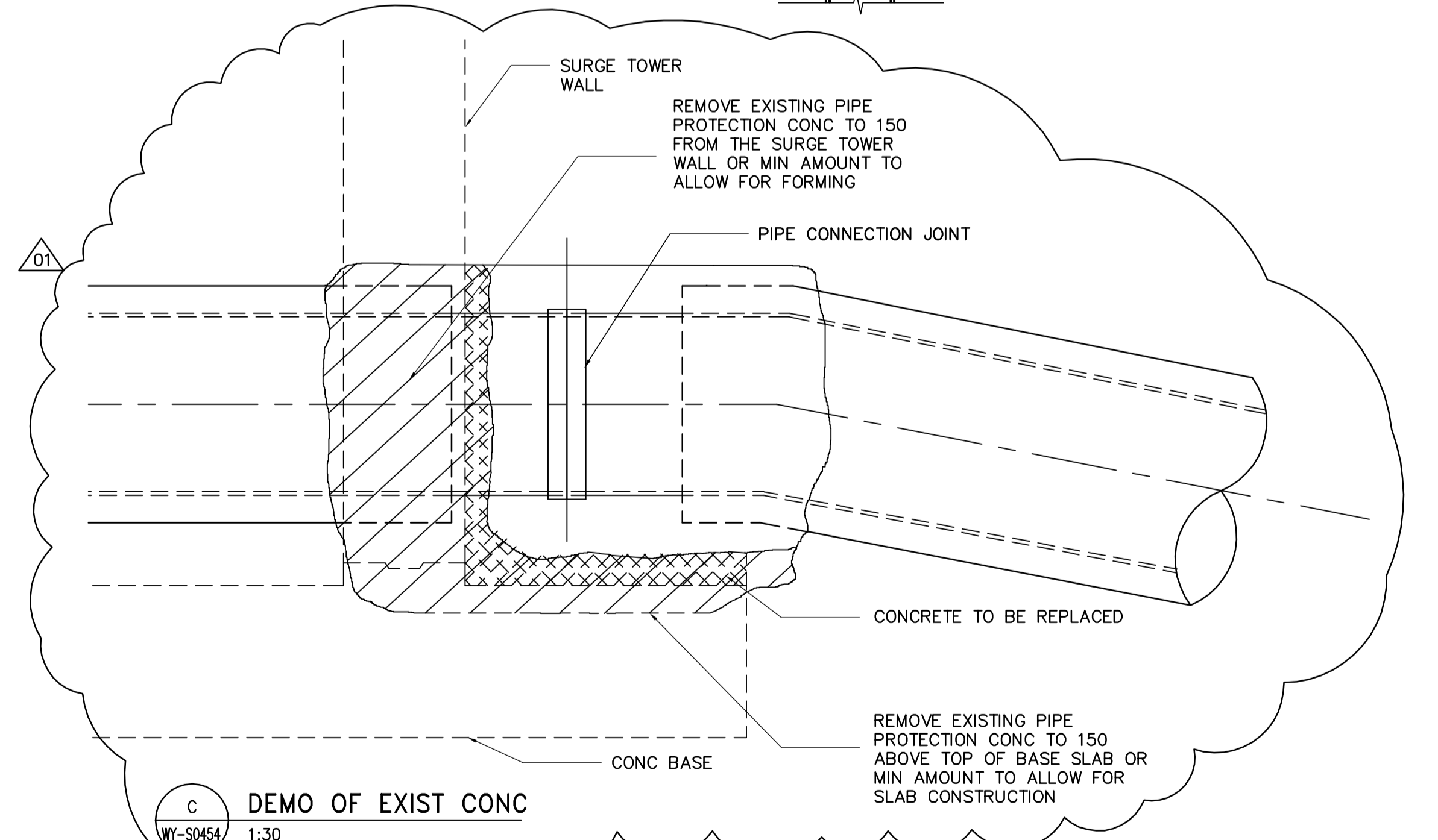
**1 SECTION**  
WY-S0454 1:20



**2 SECTION**  
WY-S0454 1:20



**B DETAIL**  
WY-S0454 1:20



**C DEMO OF EXIST CONC**  
WY-S0454 1:30

<p><b>APEGM</b> Certificate of Authorization Earth Tech Canada Inc. No. 730 Expiry: April 30, 2007</p>	B.M. ELEV.	<p><b>CH2M HILL</b></p>	<p><b>EarthTech</b> A Tech International Ltd. Company</p>	ENGINEER'S SEAL	<p><b>THE CITY OF WINNIPEG</b> WATER AND WASTE DEPARTMENT ENGINEERING DIVISION</p>		
				DESIGNED BY: FK		CHECKED BY: GGP	ORIGINAL SIGNED BY: F.A. KEMP
				DRAWN BY: GGP \ KK		APPROVED BY: AHL	2006/05/03
				SCALE: AS NOTED		RELEASED FOR CONSTRUCTION BY: R. SOROKOWSKI	CONSULTANT DRAWING NO. WY-S0454
	01 37-2006 ADDENDUM 1 06/05/24 NS	DATE 2006/02/08	DATE 2006/05/03				
	00 ISSUED FOR TENDER 06/05/03 KK						
	NO. REVISIONS	DATE	DATE				