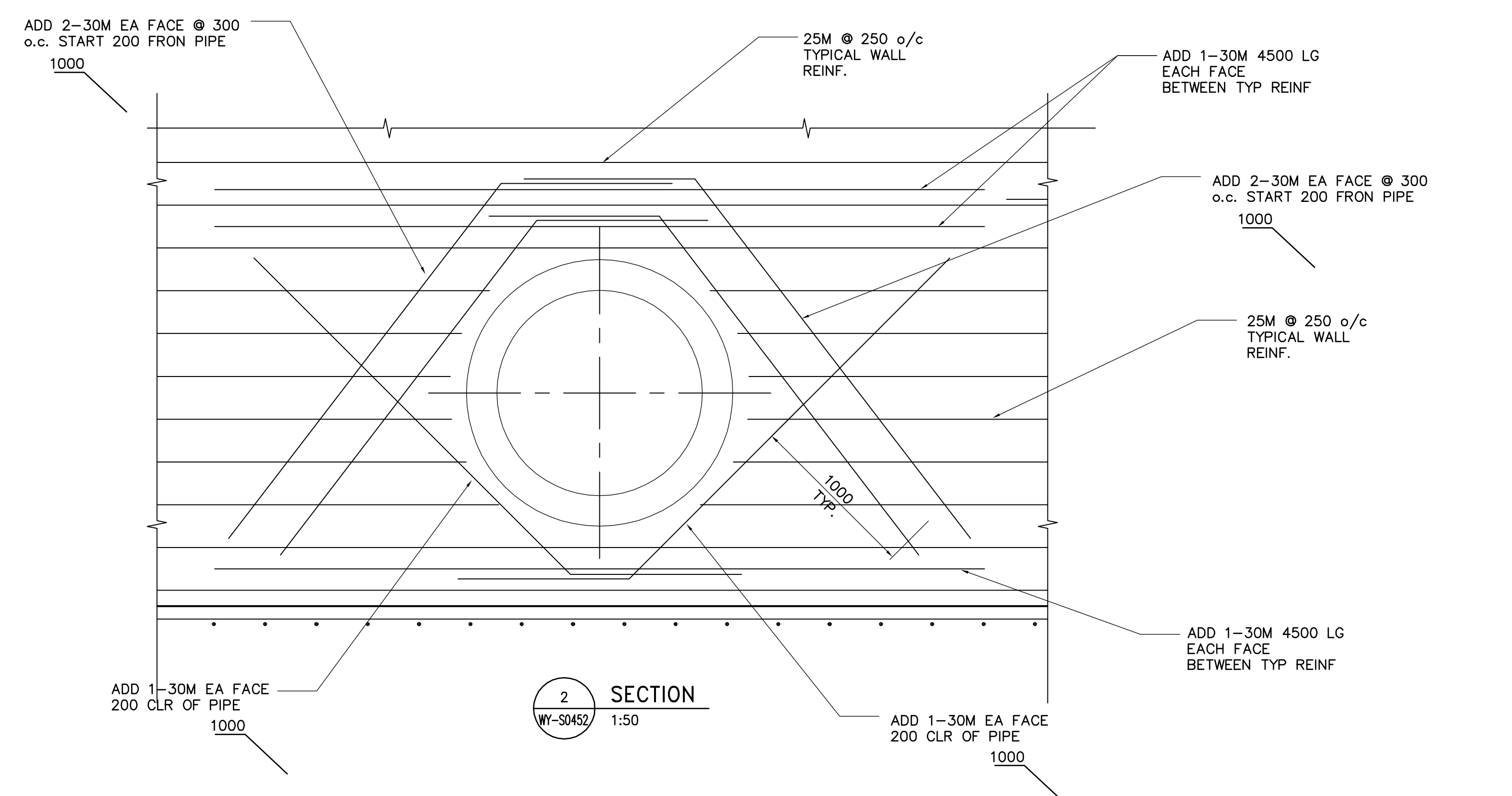
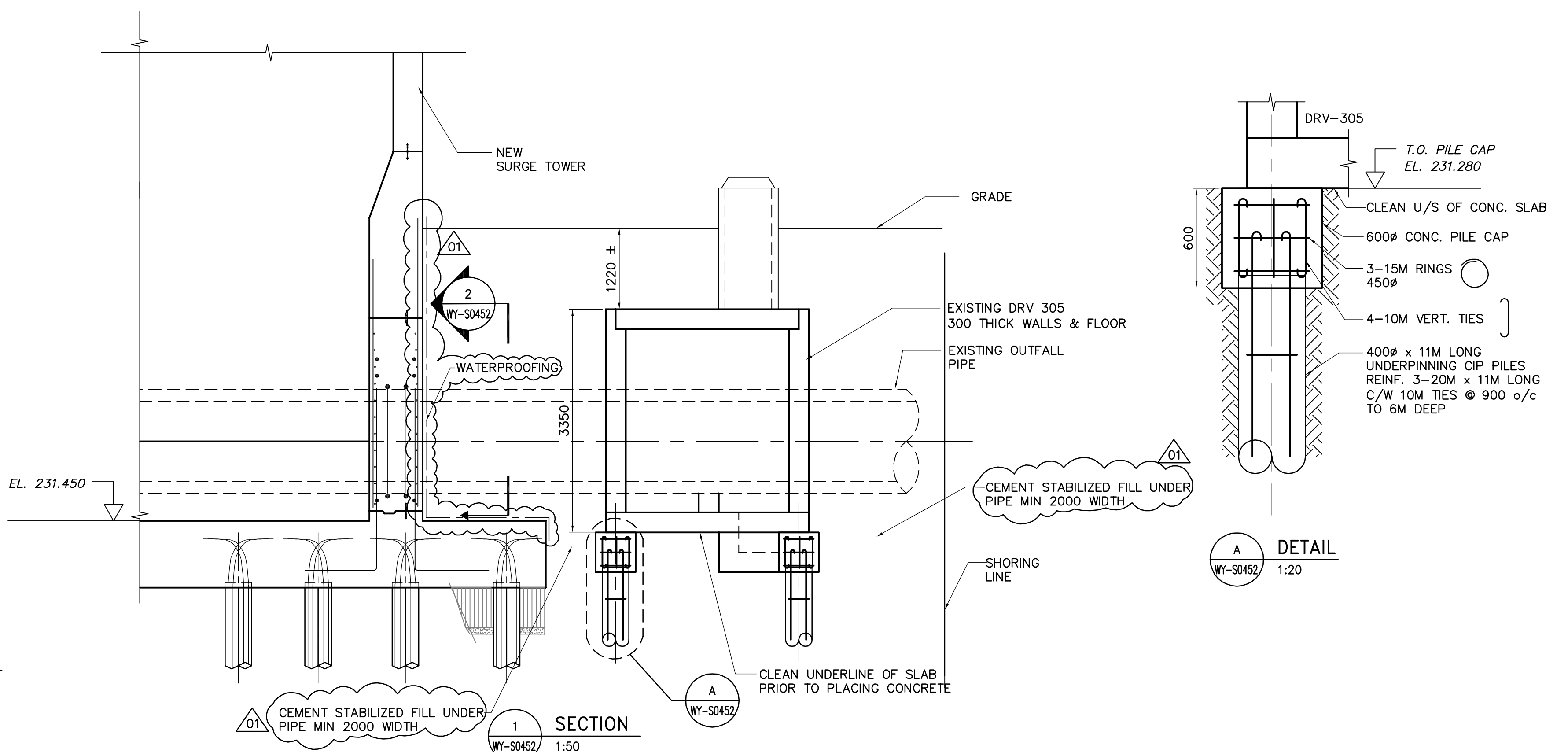


FOUNDATION PLAN
1:50



 APEGM Certificate of Authorization Earth Tech Canada Inc. No. 730 Expiry: April 30, 2007	B.M. ELEV.	 CH2M HILL Frederickson Cooper ARCHITECTS	 EarthTech A Tech International Ltd. Company	ENGINEER'S SEAL	 THE CITY OF WINNIPEG WATER AND WASTE DEPARTMENT ENGINEERING DIVISION WATER TREATMENT PLANT YARD PIPING AND VALVE CHAMBERS SURGE TOWER CONSTRUCTION STRUCTURAL UNDERPINNING OF VALVE CHAMBER DRV 305 CITY FILE NUMBER SHEET OF CITY DRAWING NUMBER 1-0601Y-A-S0452-001-01D		
	DESIGNED BY			FK		CHECKED BY	GPP
	DRAWN BY			GPP / KK		APPROVED BY	AHL
	SCALE:			AS NOTED		RELEASED FOR CONSTRUCTION BY:	R. SOROKOWSKI
NO. REVISIONS	DATE	BY	DATE	2006/02/08	DATE	2006/05/03	
01	37-2006 ADDENDUM 1	06/05/24	NS	ORIGINAL SIGNED BY	F.A. KEMP		
00	ISSUED FOR TENDER	06/05/03	KK	2006/05/03	CONSULTANT DRAWING NO.	WY-S0452	