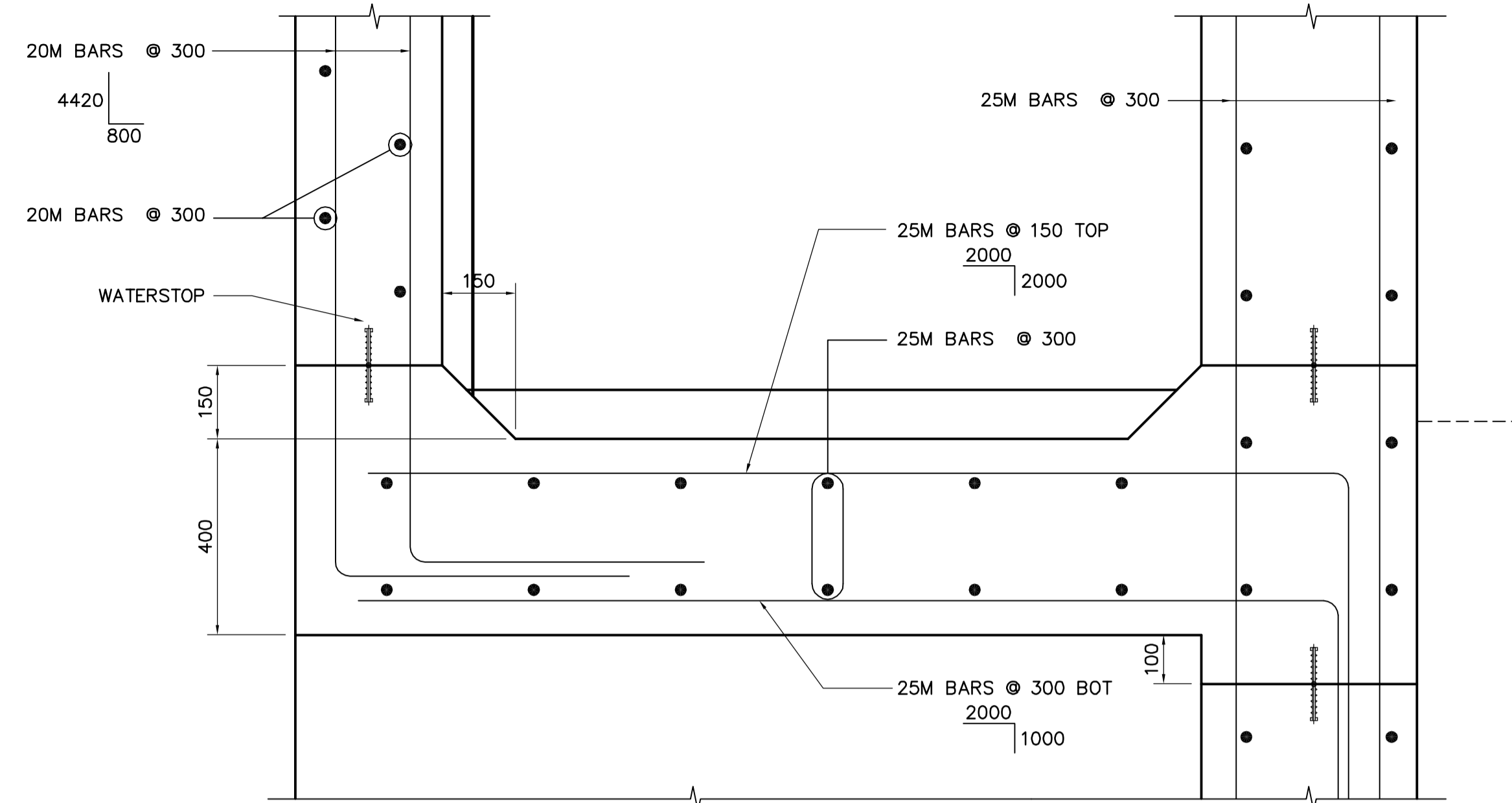
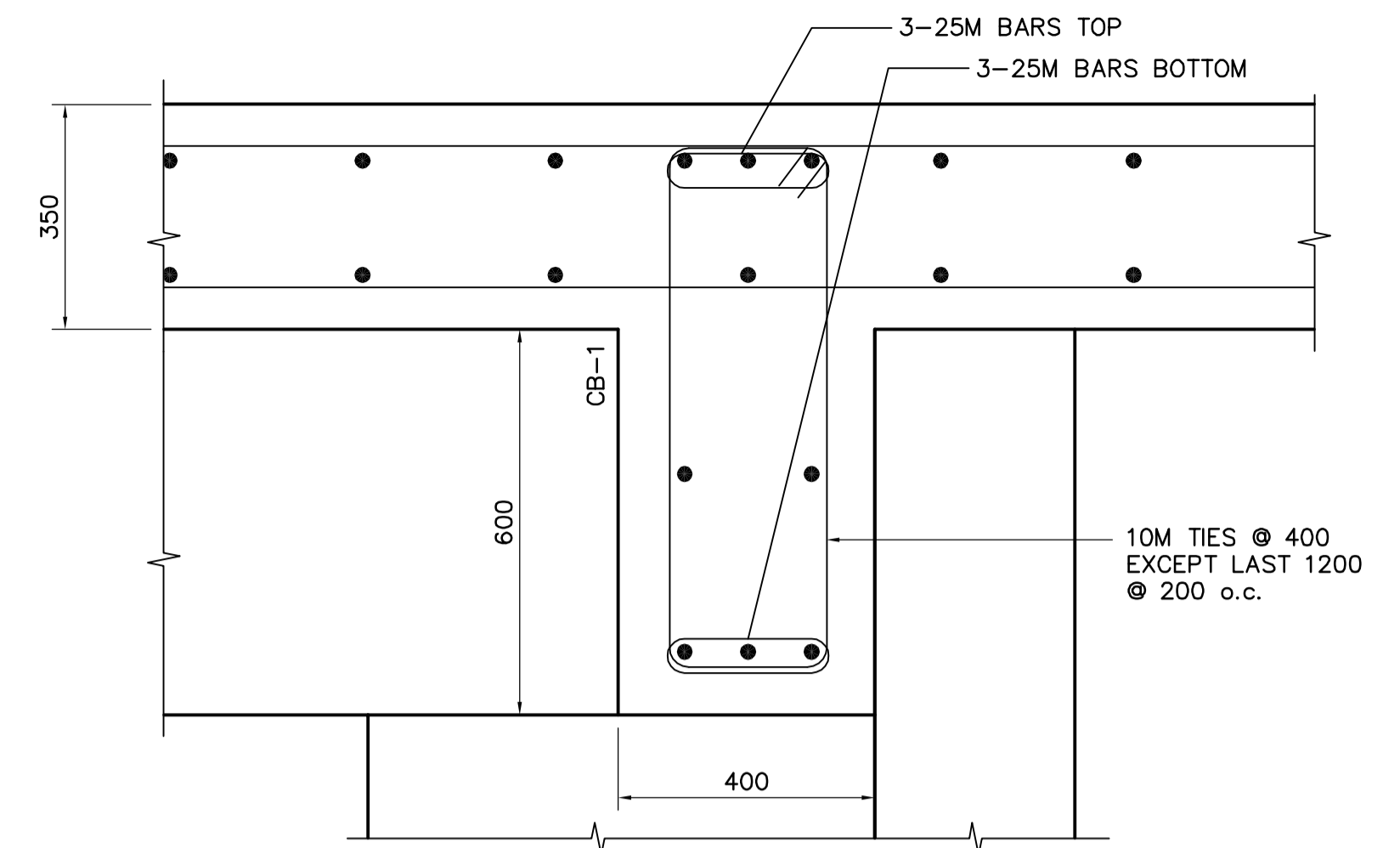


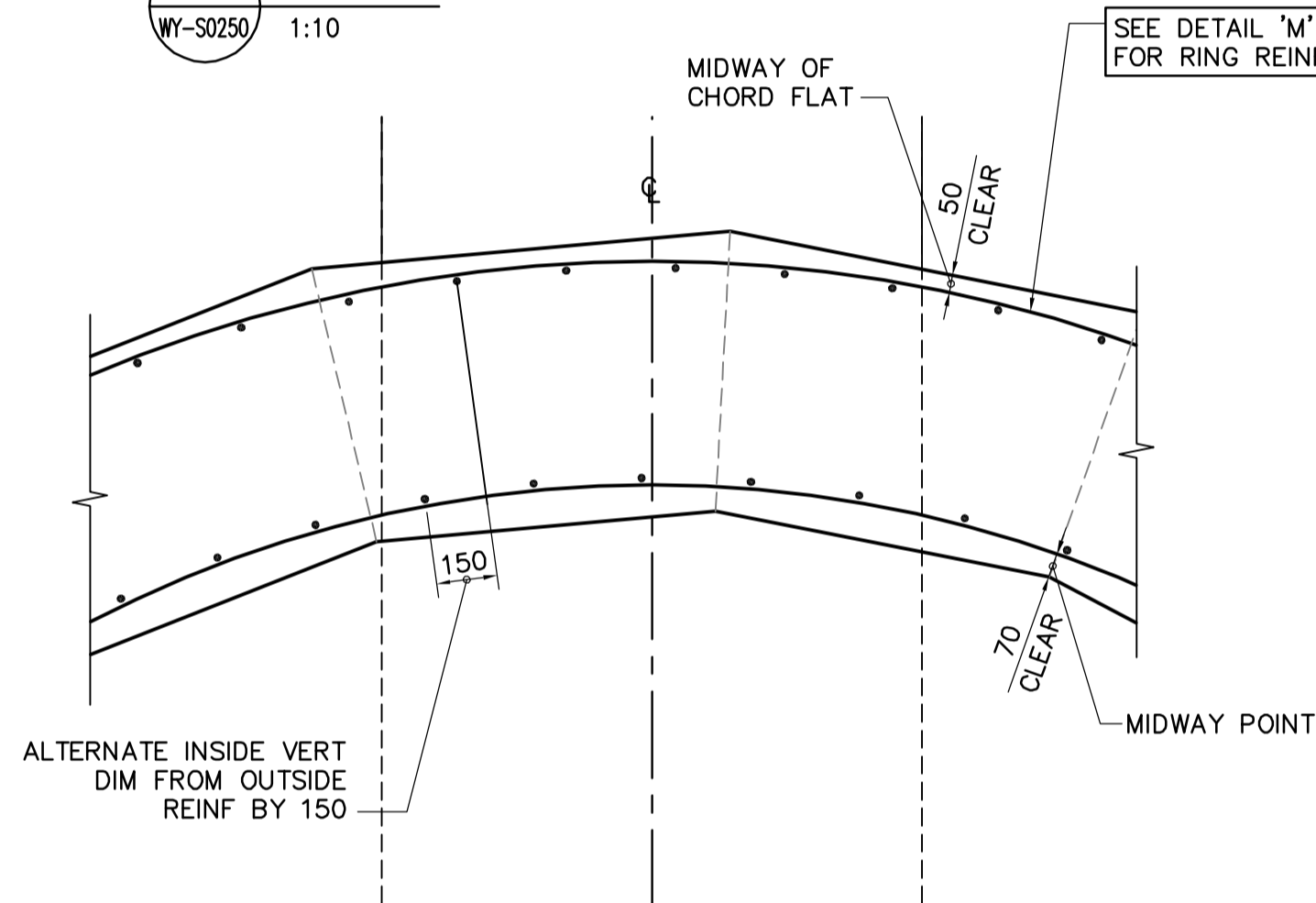
E DETAIL
WY-S0250 1:10



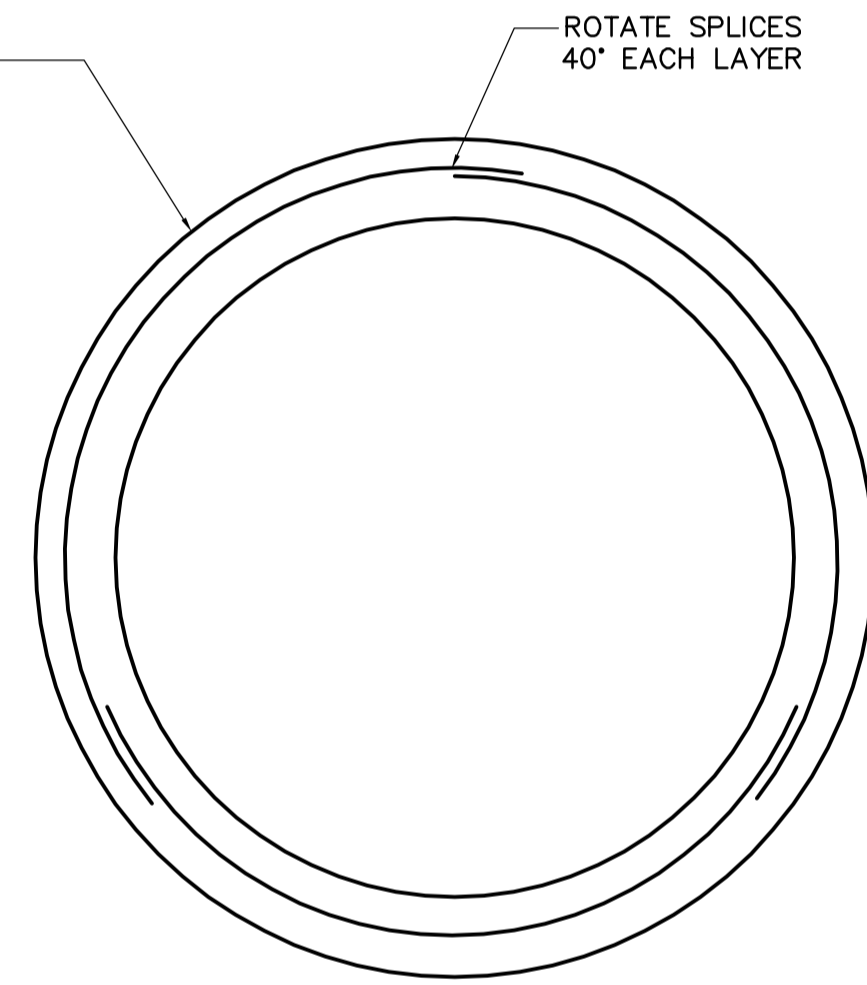
F DETAIL
WY-S0250 1:10



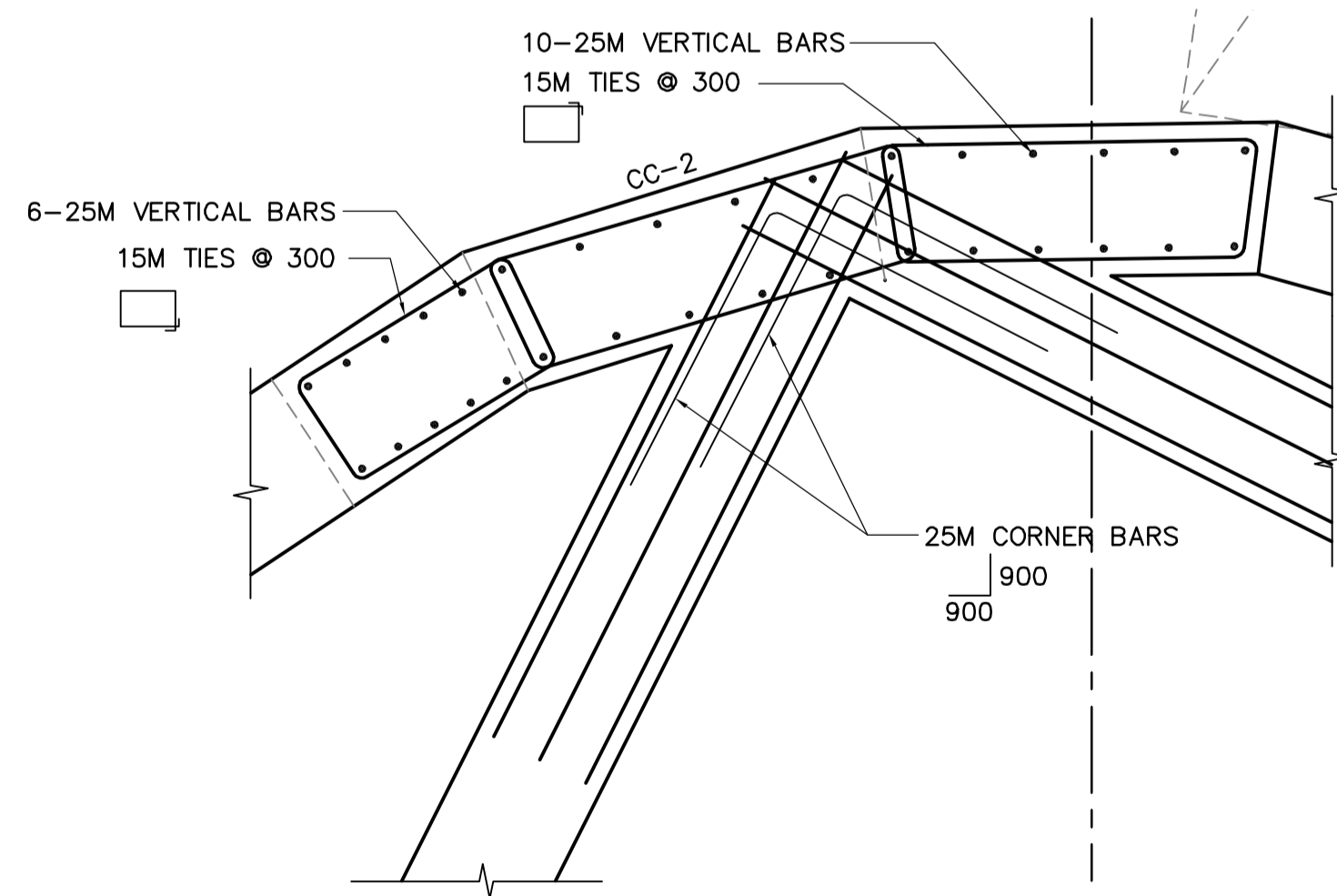
G DETAIL
WY-S0250 1:10



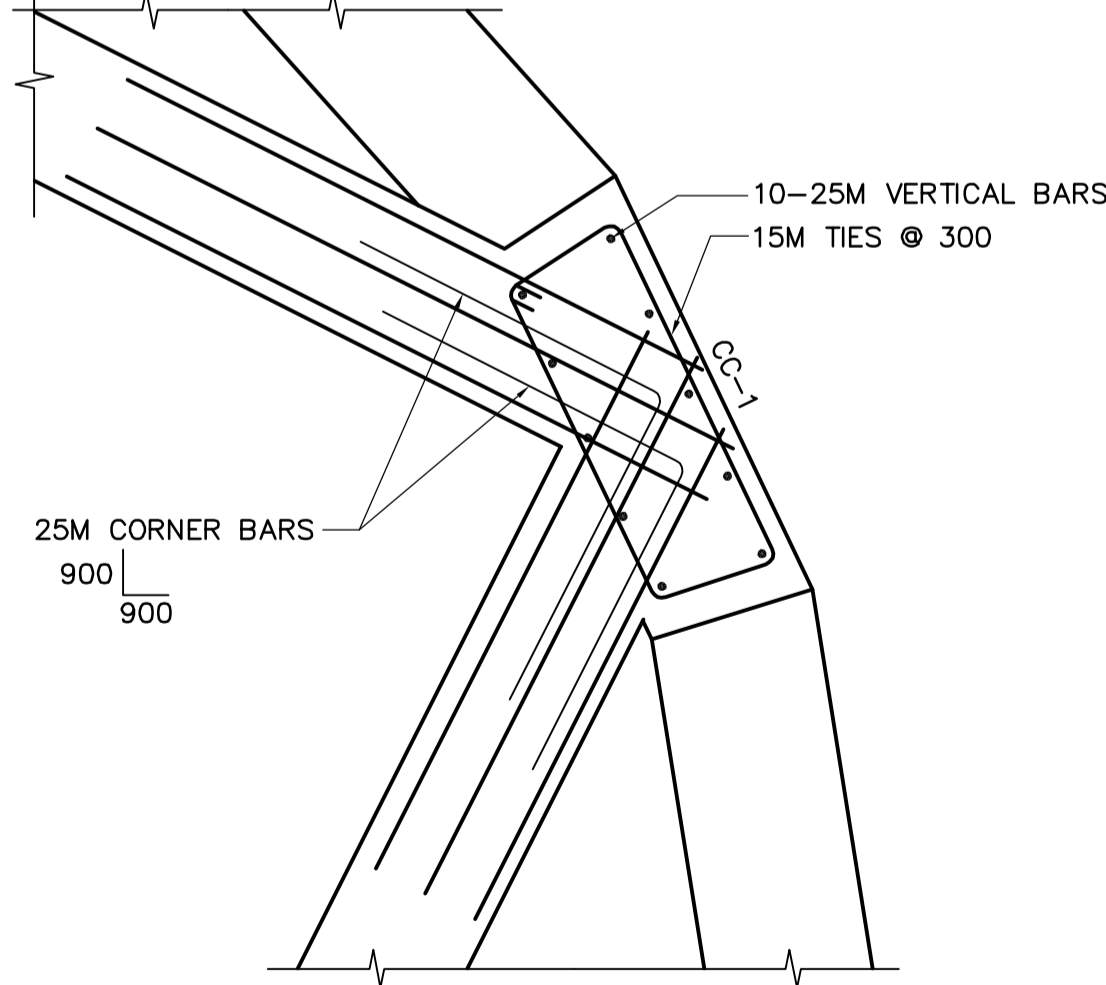
H DETAIL CW-1
WY-S0150 1:30



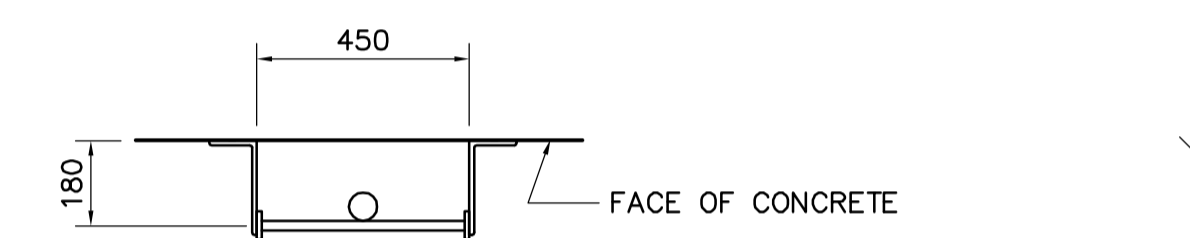
M RING REINF. LAYOUT
WY-S0150 N.T.S.



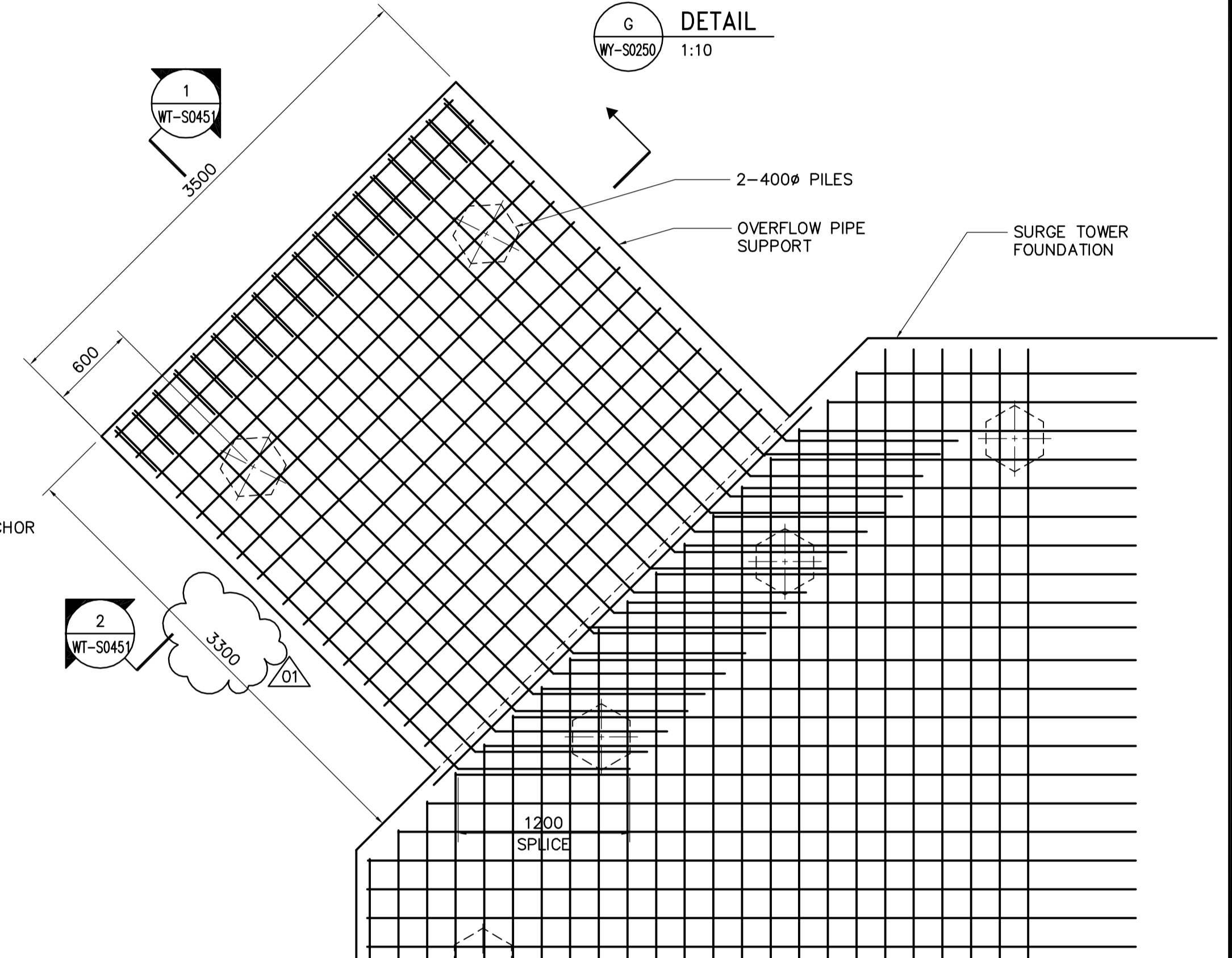
J DETAIL
WY-S0151 1:10



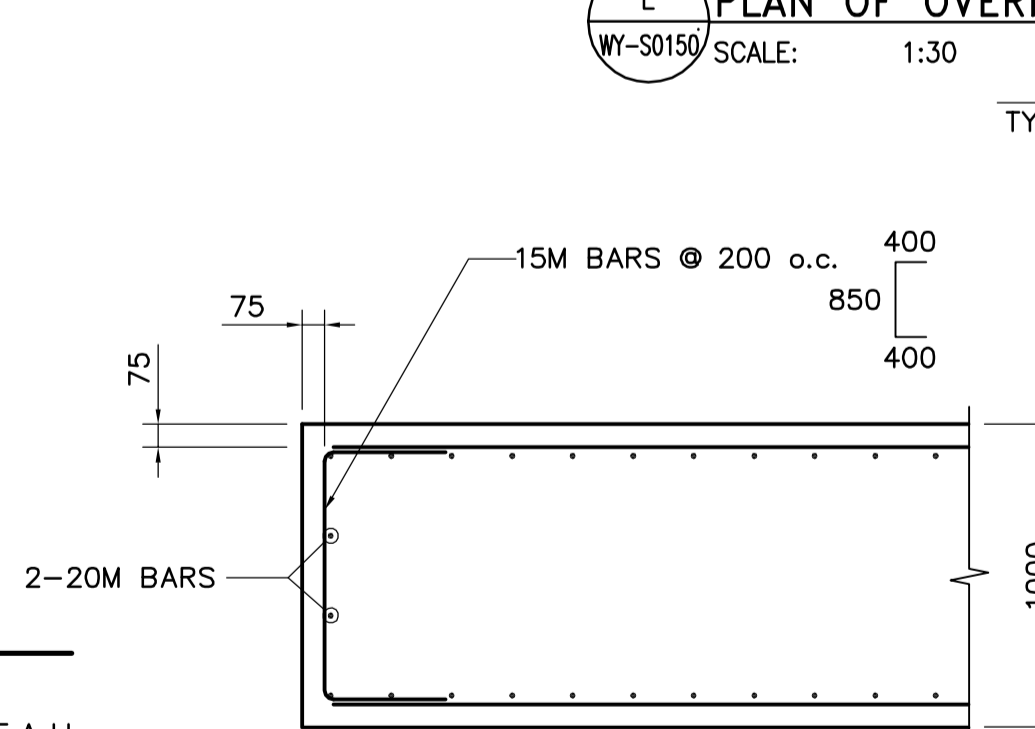
K DETAIL
WY-S0151 1:10



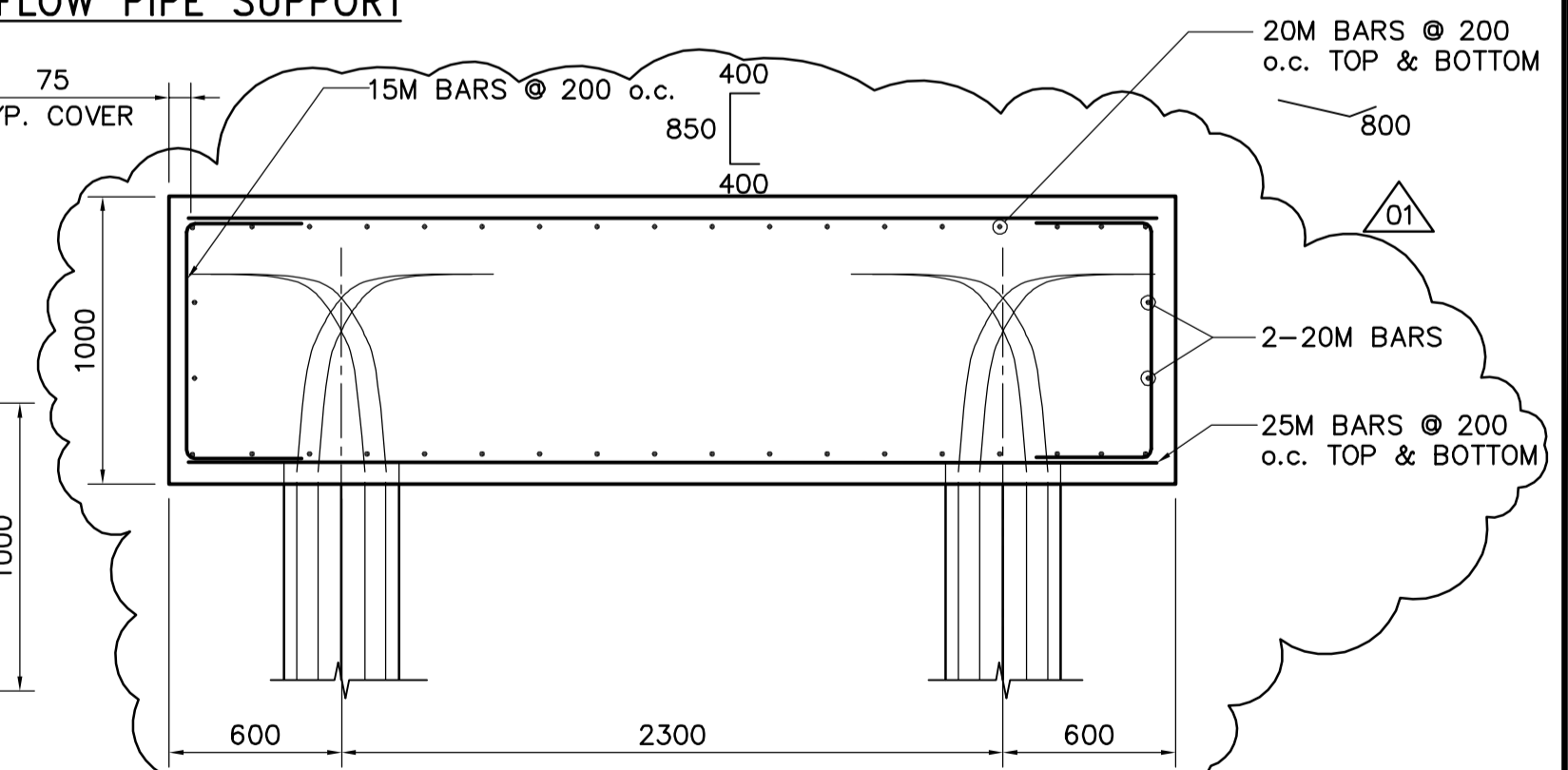
TYP. ALUM. LADDER DETAIL
SCALE: N.T.S.



L PLAN OF OVERFLOW PIPE SUPPORT
WY-S0150 SCALE: 1:30



1 SECTION
WY-S0451 1:25



2 SECTION
WY-S0451 1:25

<p>Certificate of Authorization Earth Tech Canada Inc. No. 730 Expiry: April 30, 2007</p>	B.M. ELEV.	<p>Frederickson Cooper ARCHITECTS</p>	<p>A Tech International Ltd. Company</p>	ENGINEER'S SEAL	<p>THE CITY OF WINNIPEG WATER AND WASTE DEPARTMENT ENGINEERING DIVISION</p>	
	DESIGNED BY FK			CHECKED BY GGP		ORIGINAL SIGNED BY F.A. KEMP
	DRAWN BY WDB			APPROVED BY AHL		2006/05/03
	SCALE: AS NOTED			RELEASED FOR CONSTRUCTION BY: R. SOROKOWSKI		CONSULTANT DRAWING NO. WY-S0451
01 37-2006 ADDENDUM 1 06/05/24 NS	00 ISSUED FOR TENDER 06/05/03 KK	DATE 2006/02/10	DATE 2006/05/03	WATER TREATMENT PLANT YARD PIPING AND VALVE CHAMBERS SURGE TOWER CONSTRUCTION	CITY FILE NUMBER	
NO. REVISIONS	DATE BY	DATE	DATE	STRUCTURAL DETAILS	SHEET OF	
					CITY DRAWING NUMBER 1-0601Y-A-S0451-001-010	