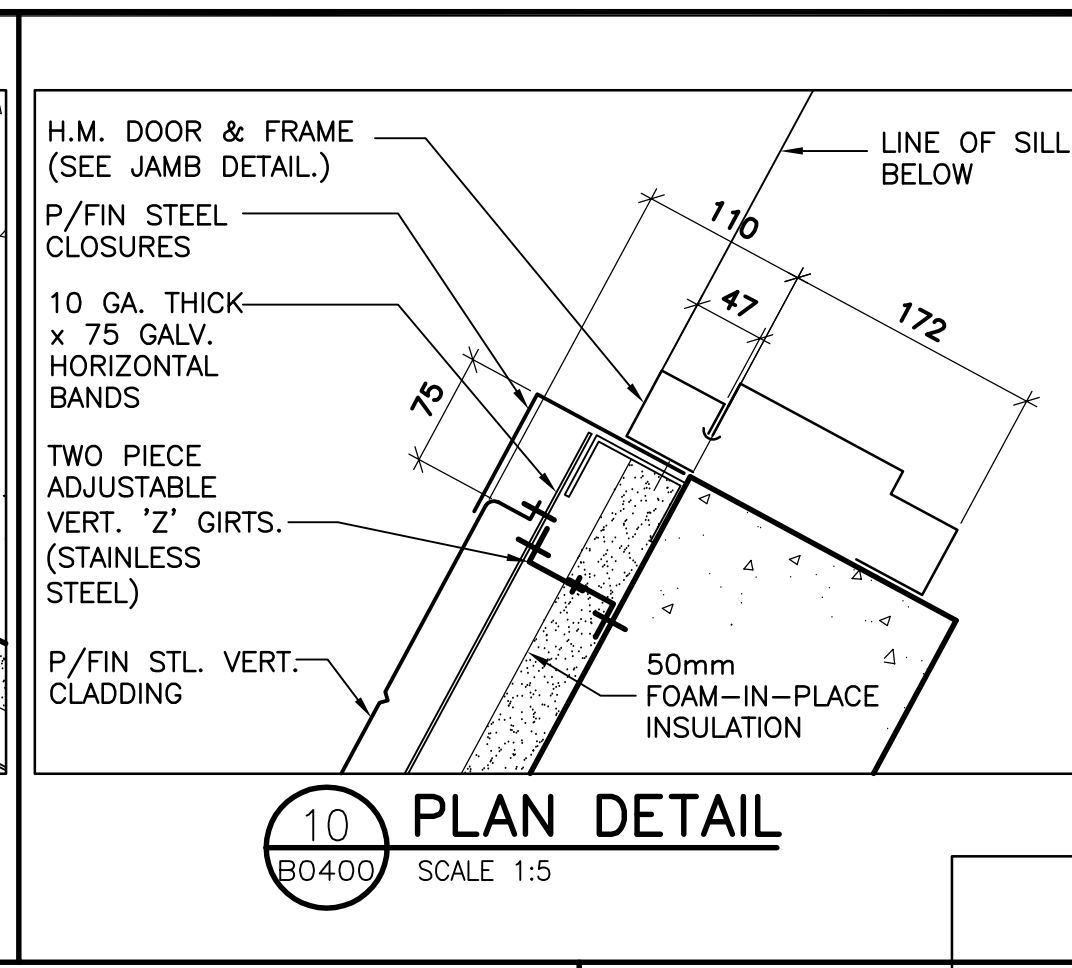
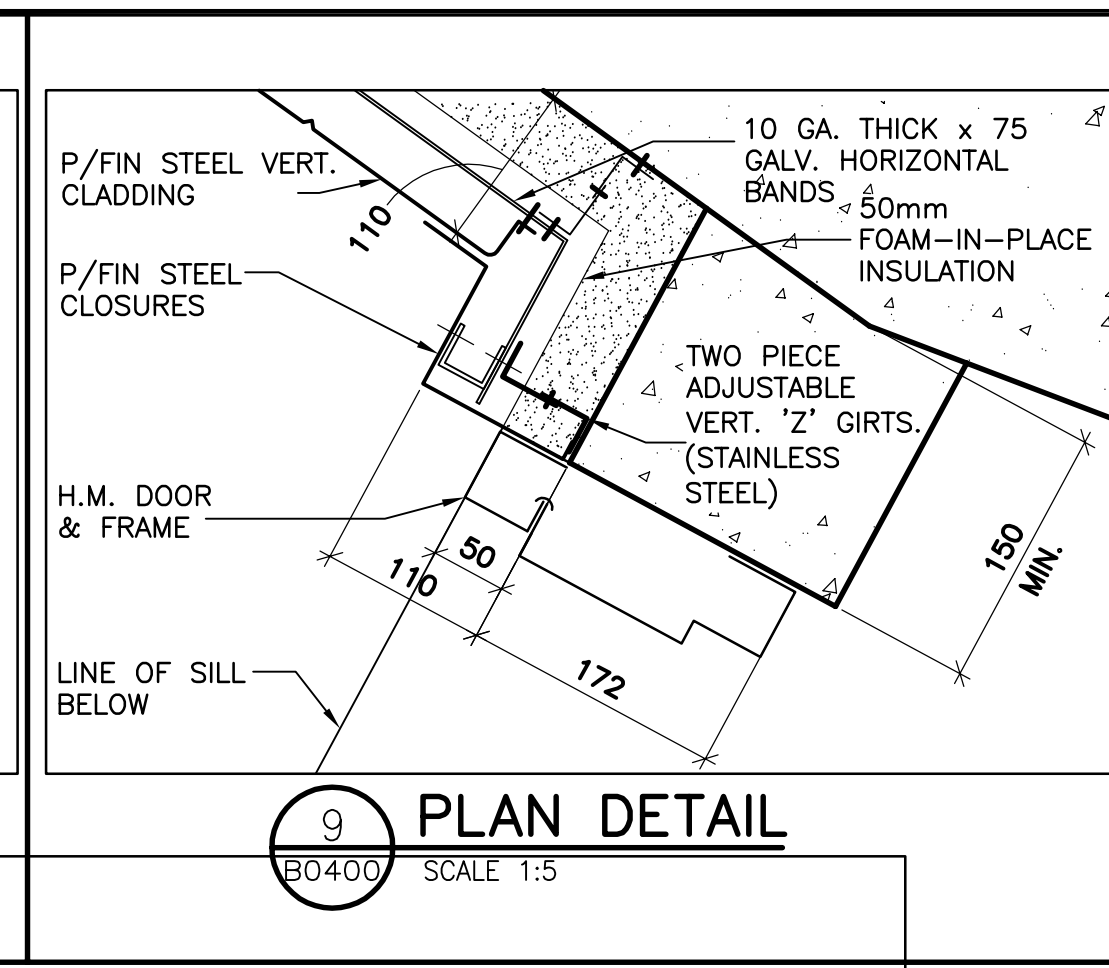


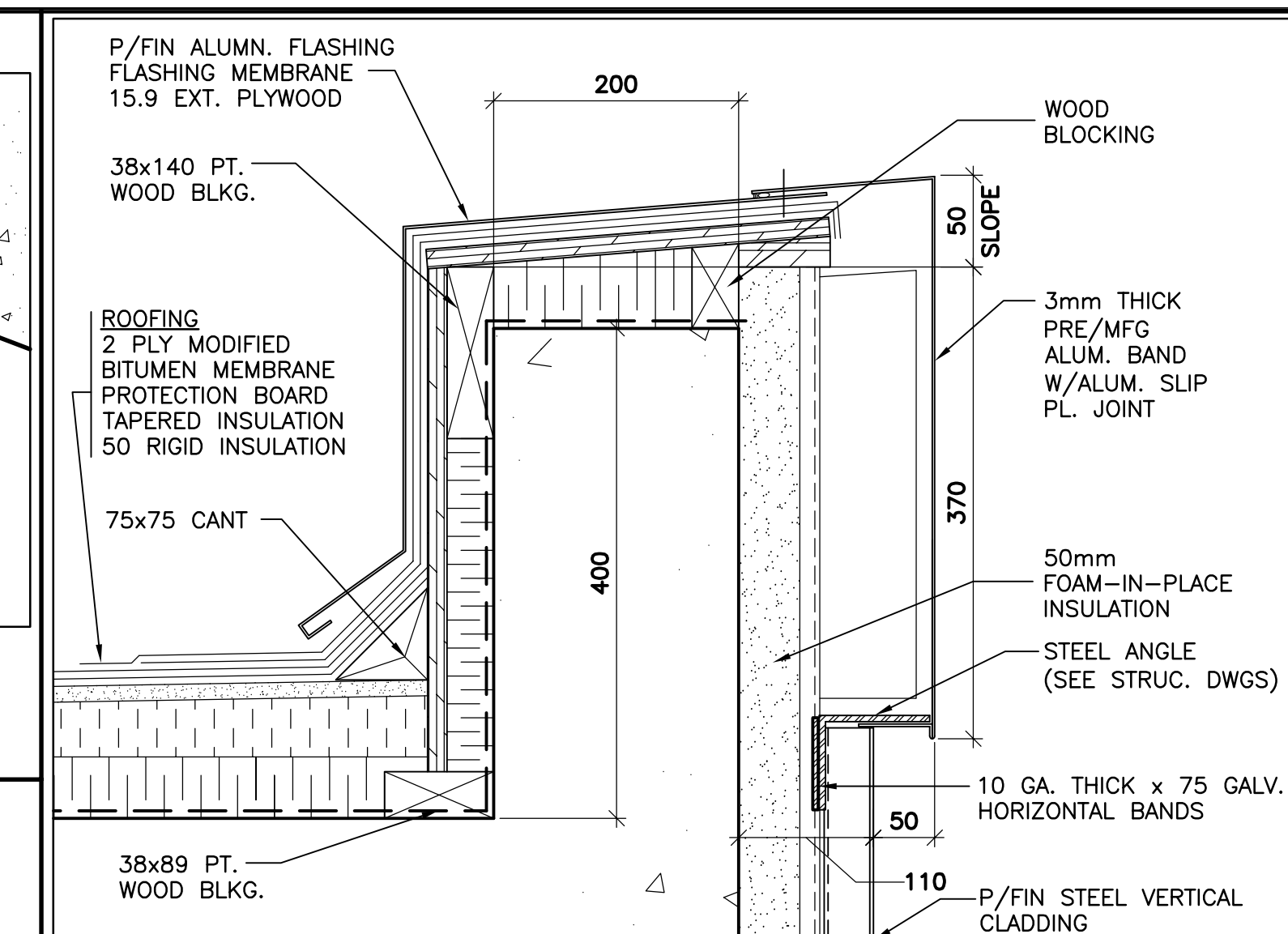
11 PLAN DETAIL
B0400 SCALE 1:5



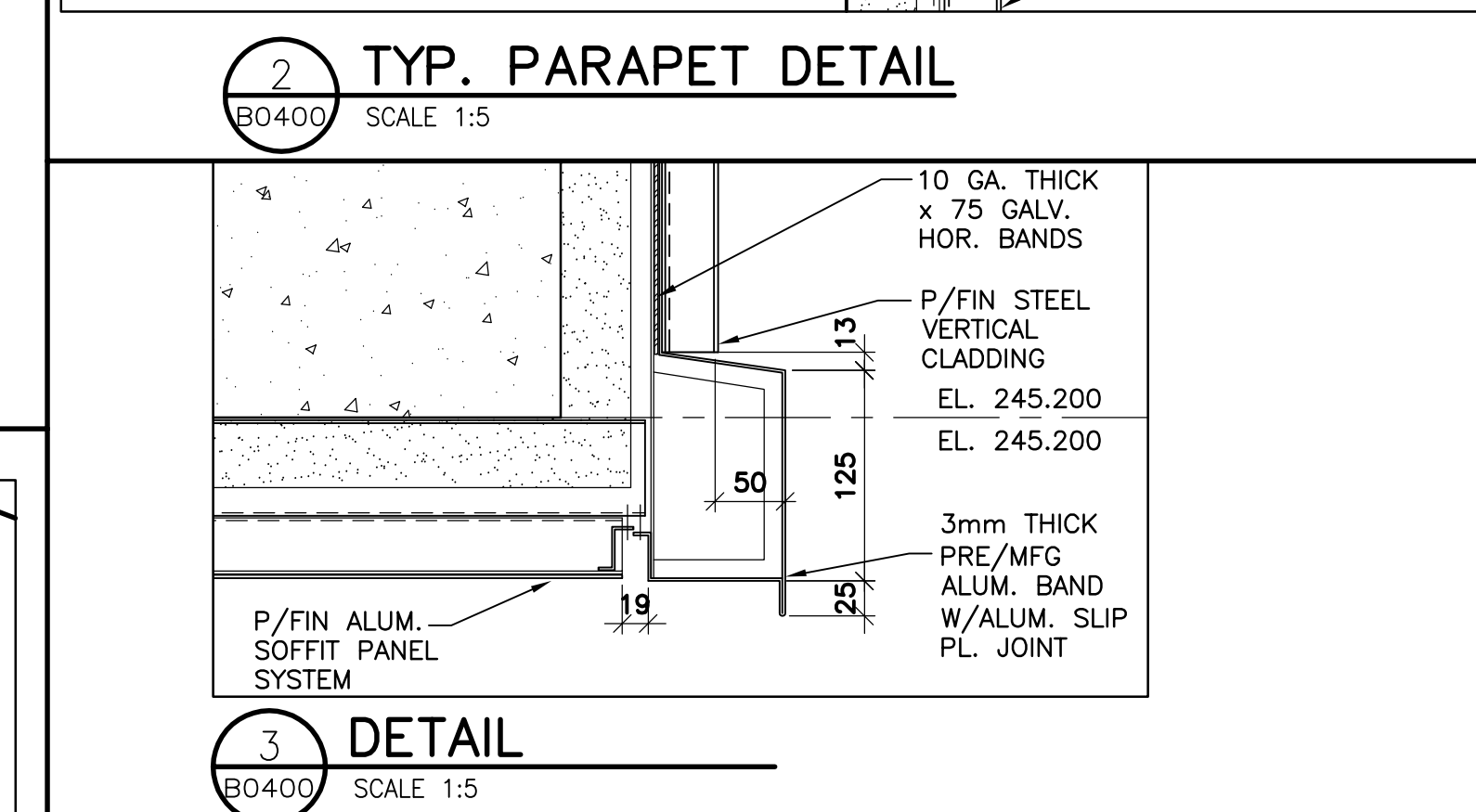
10 PLAN DETAIL
B0400 SCALE 1:5



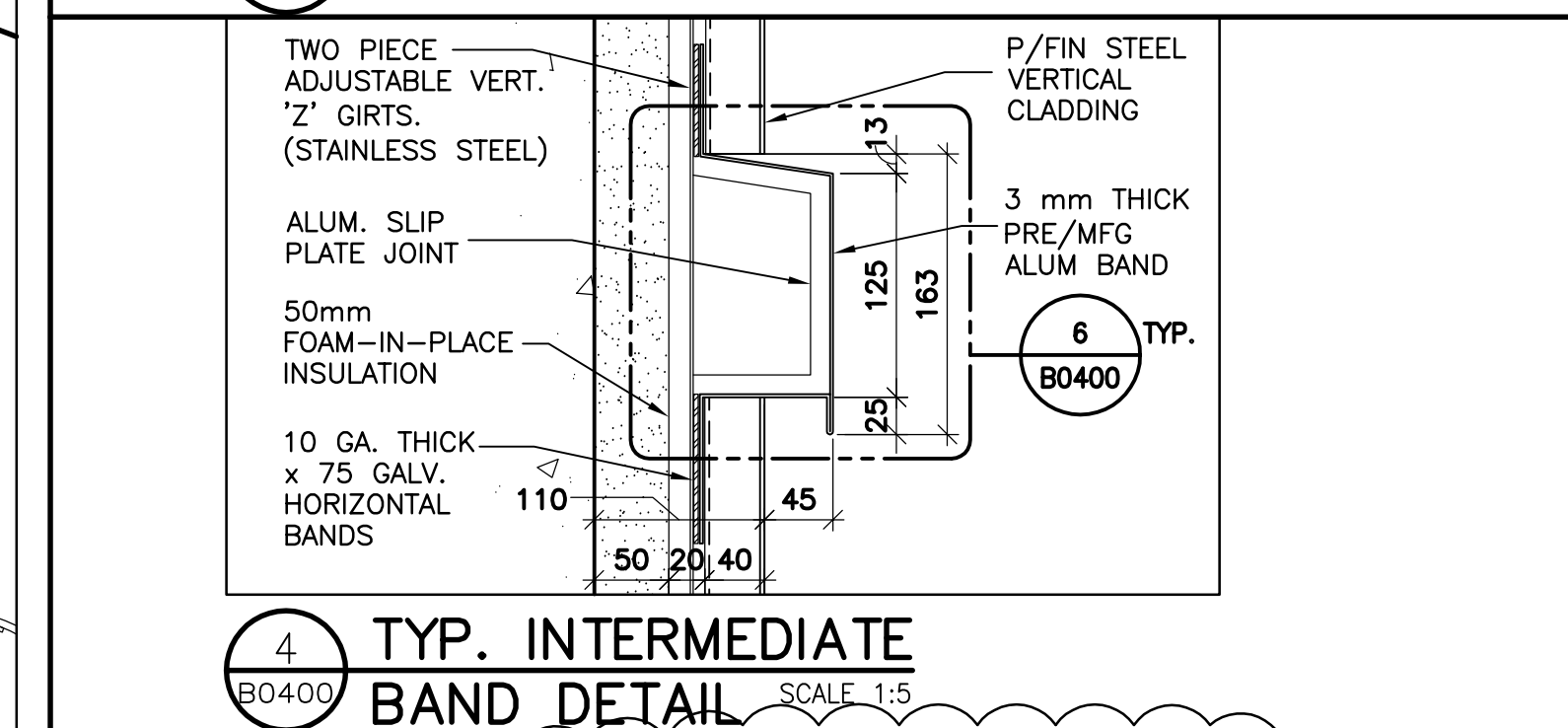
9 PLAN DETAIL
B0400 SCALE 1:5



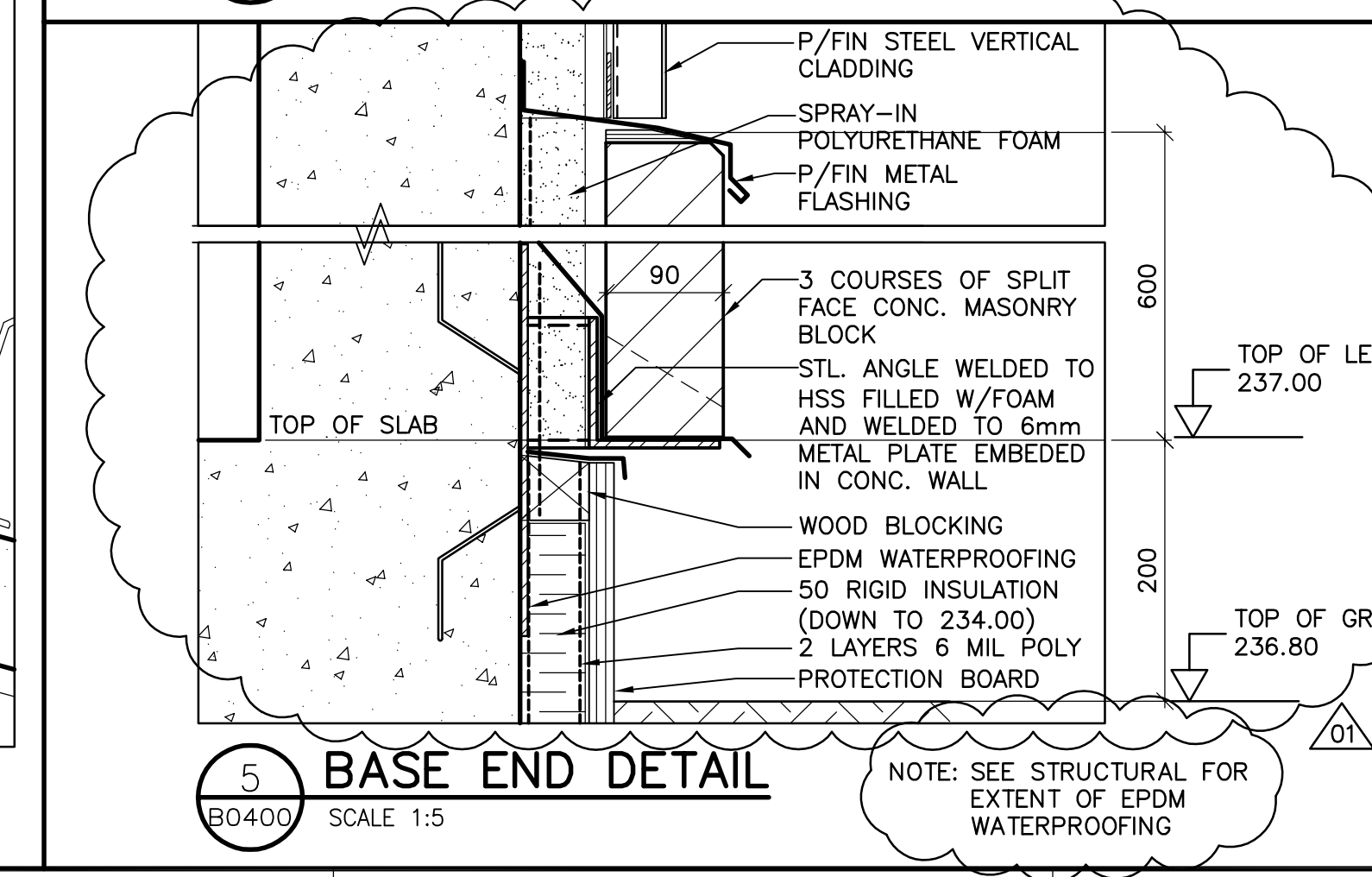
2 TYP. PARAPET DETAIL
B0400 SCALE 1:5



3 DETAIL
B0400 SCALE 1:5

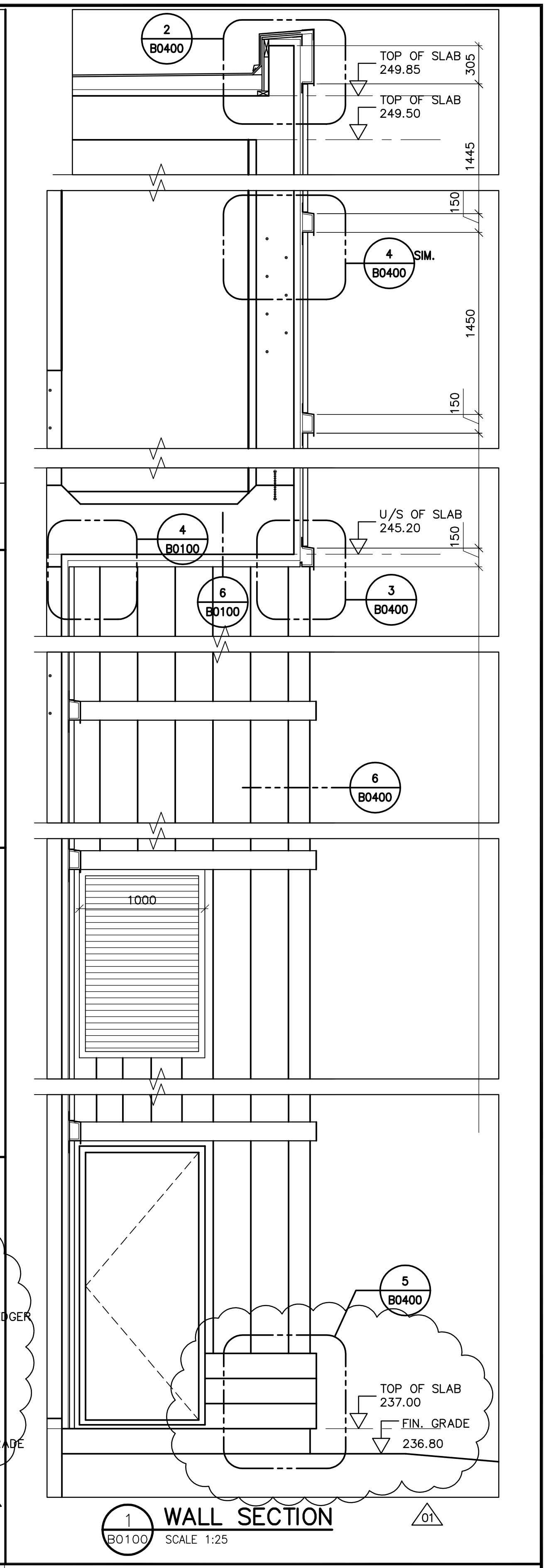


4 TYP. INTERMEDIATE BAND DETAIL
B0400 SCALE 1:5

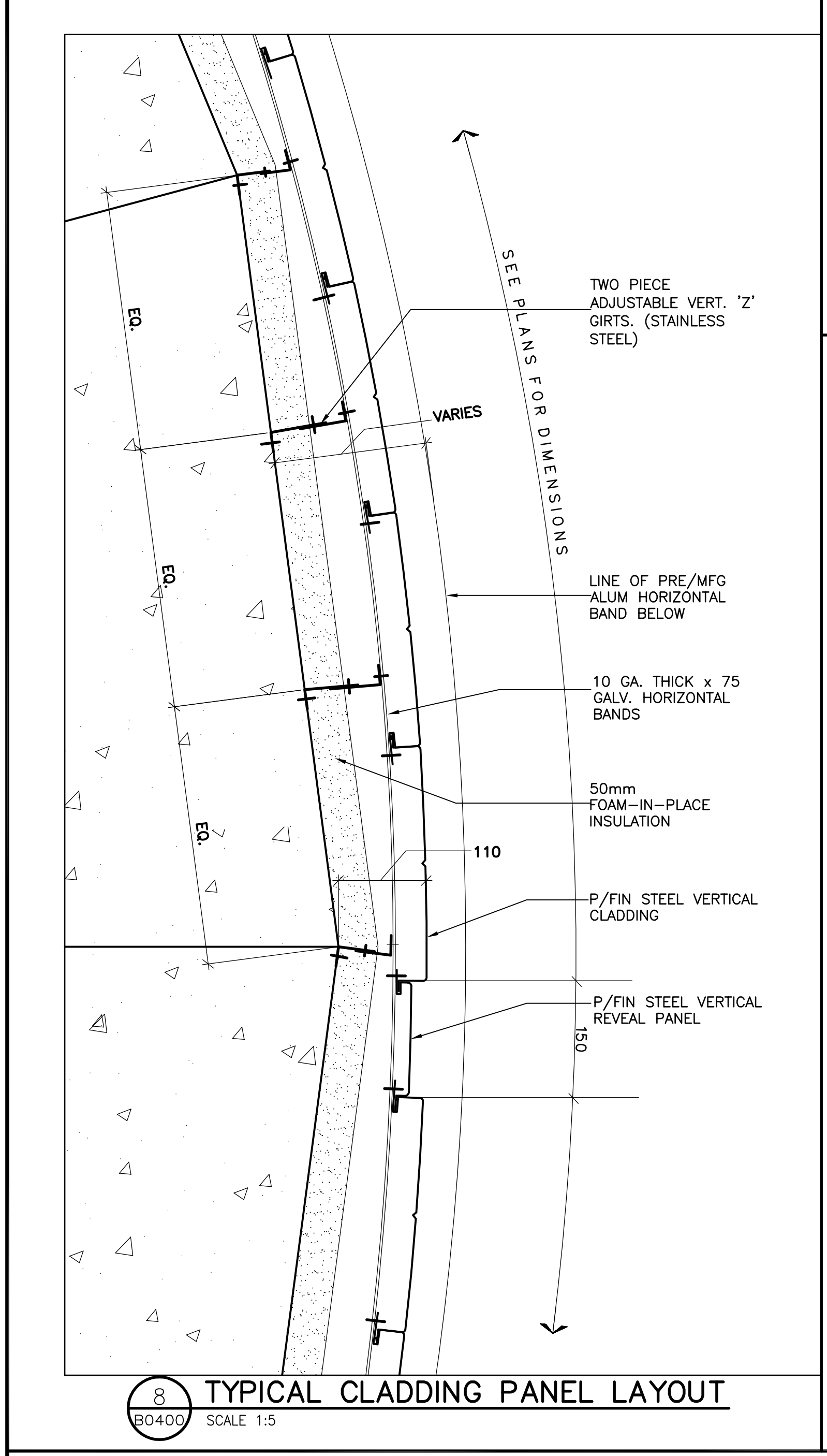


5 BASE END DETAIL
B0400 SCALE 1:5

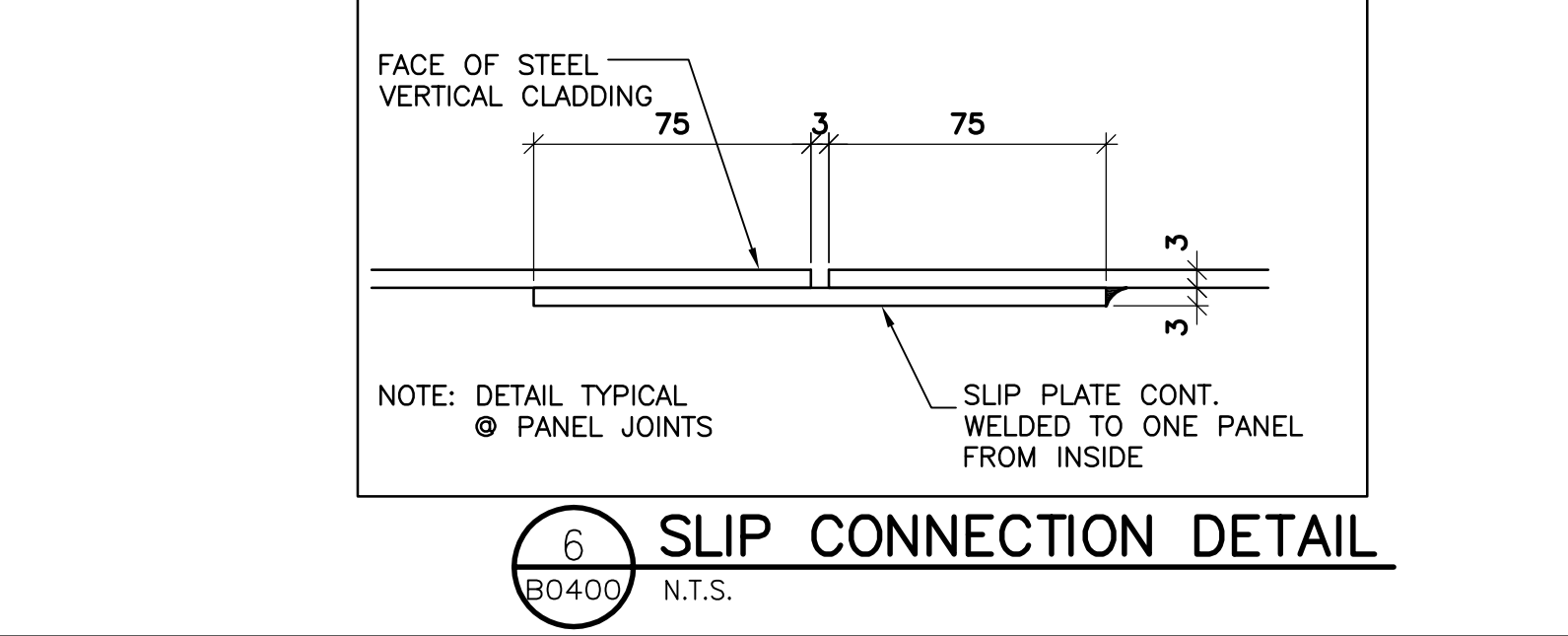
NOTE: SEE STRUCTURAL FOR EXTENT OF EPDM WATERPROOFING



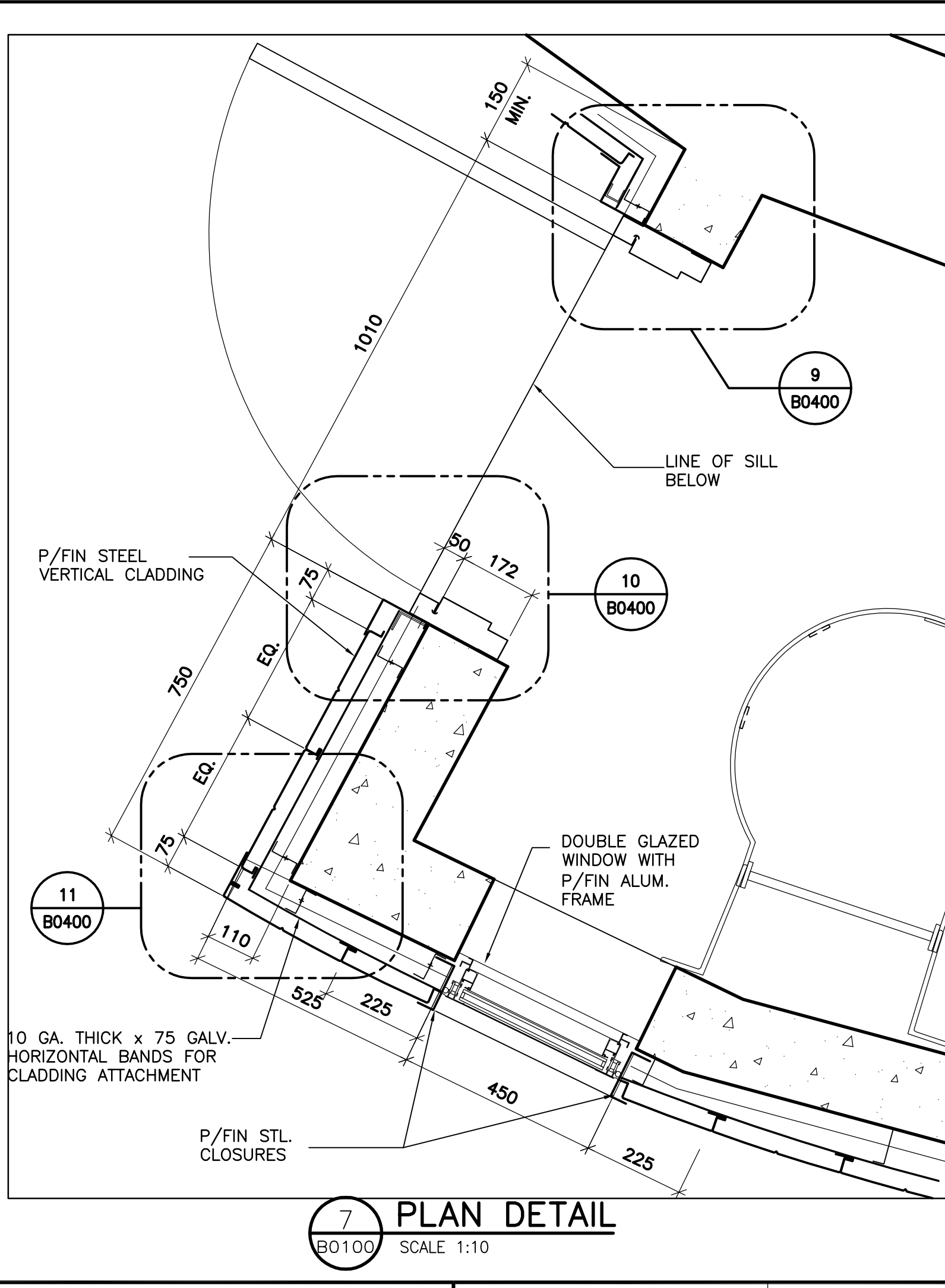
1 WALL SECTION
B0100 SCALE 1:25



8 TYPICAL CLADDING PANEL LAYOUT
B0400 SCALE 1:5



6 SLIP CONNECTION DETAIL
B0400 N.T.S.



7 PLAN DETAIL
B0100 SCALE 1:10



B.M. ELEV.					
DESIGNED BY	TWS	CHECKED BY	TWS	ENGINEER'S SEAL	
DRAWN BY	RP	APPROVED BY	AHL	ORIGINAL SIGNED BY	N. COOPER
SCALE:	AS NOTED	RELEASED FOR CONSTRUCTION BY:	R. SOROKOWSKI	DATE	2006/05/03
NO.	REVISIONS	DATE	DATE	CONSULTANT DRAWING NO.	WY-B0400
01	37-2006 ADDENDUM 1	06/05/24	LK		
00	ISSUED FOR TENDER	06/05/03	LK		
		2006/03/21			

THE CITY OF WINNIPEG
WATER AND WASTE DEPARTMENT
ENGINEERING DIVISION

WATER TREATMENT PLANT
YARD PIPING AND VALVE CHAMBERS
SURGE TOWER CONSTRUCTION

ARCHITECTURAL
PLAN & SECTION DETAILS

CITY FILE NUMBER
SHEET OF
CITY DRAWING NUMBER
1-0601Y-A-B0400-001-01D