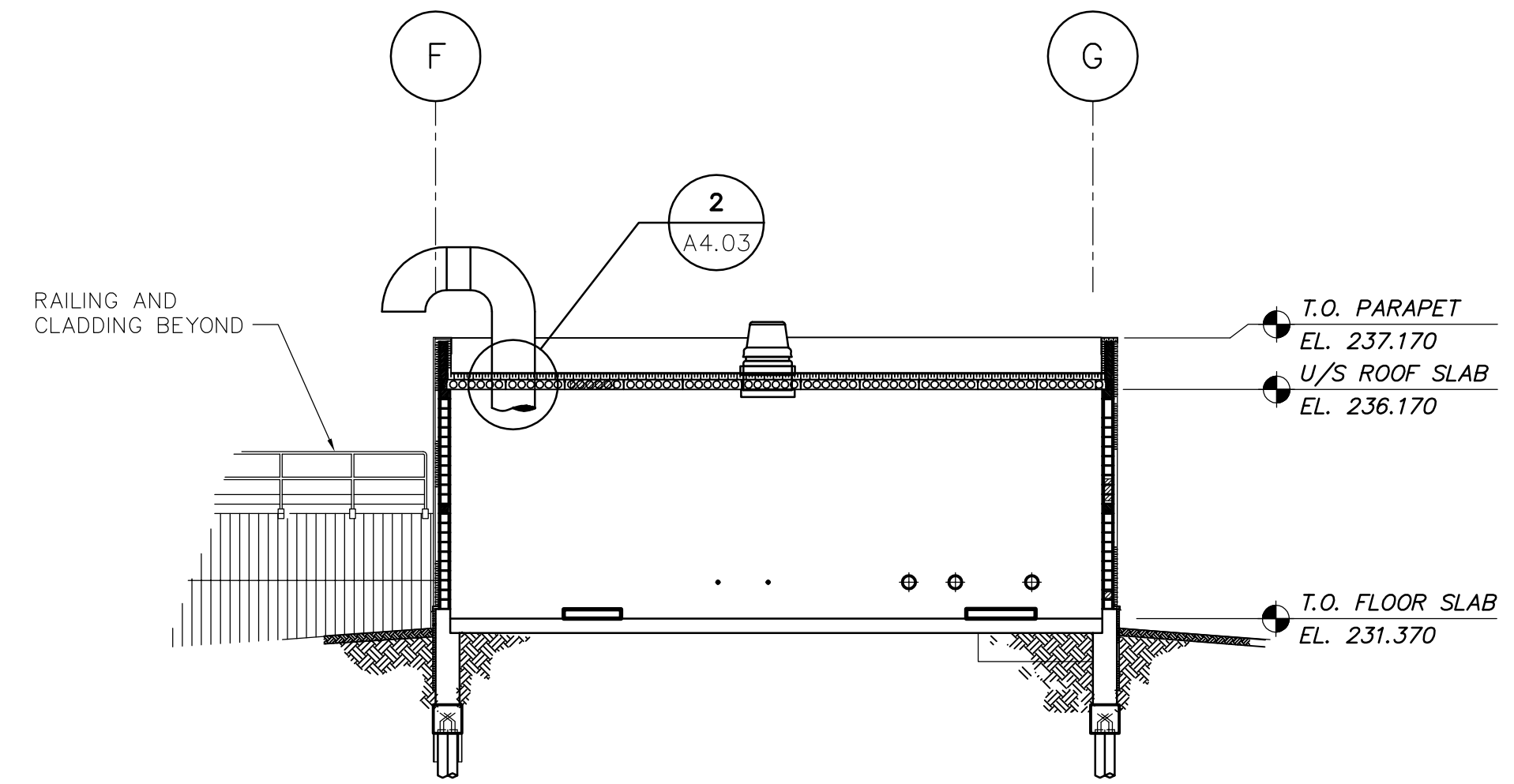
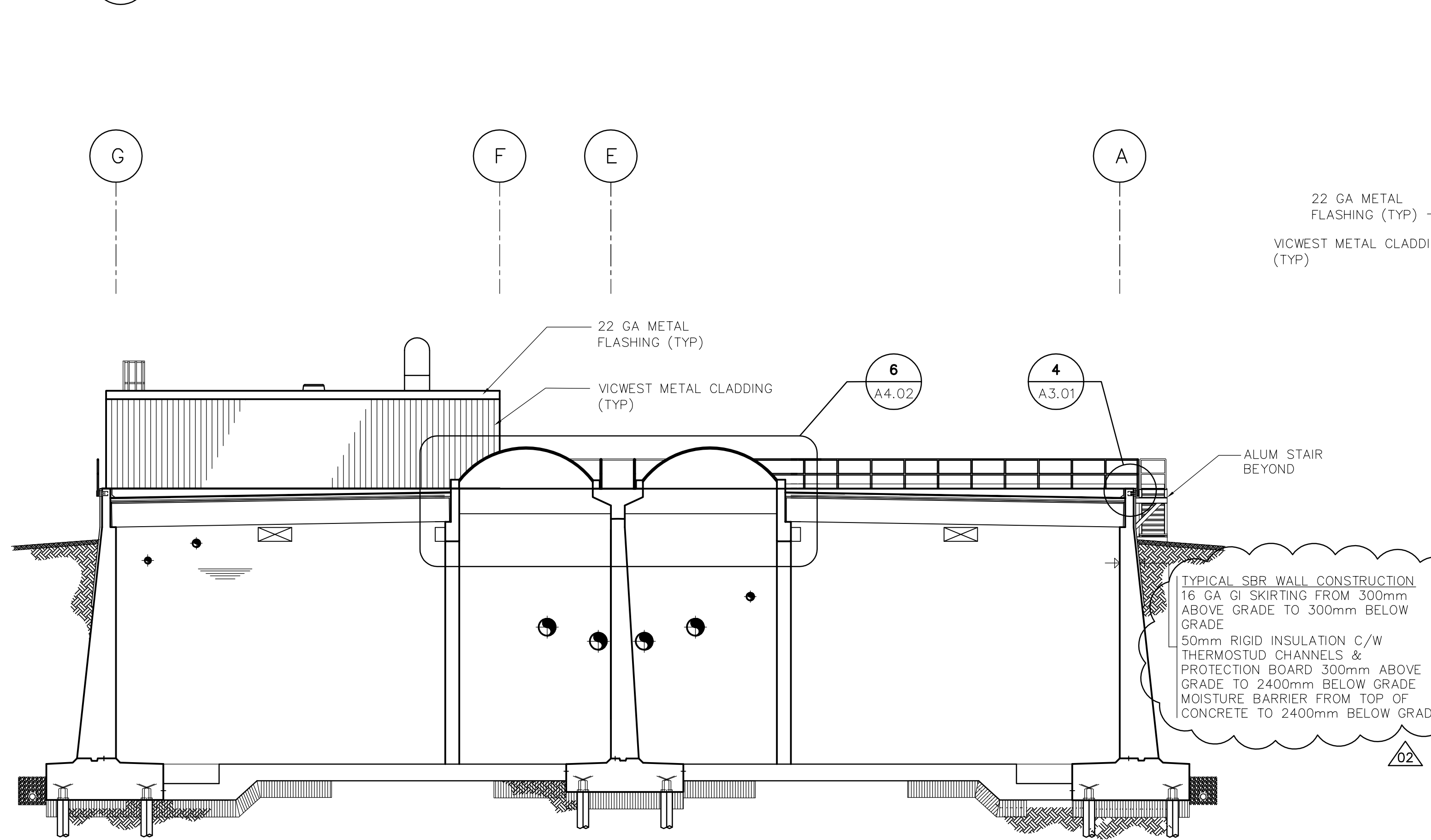


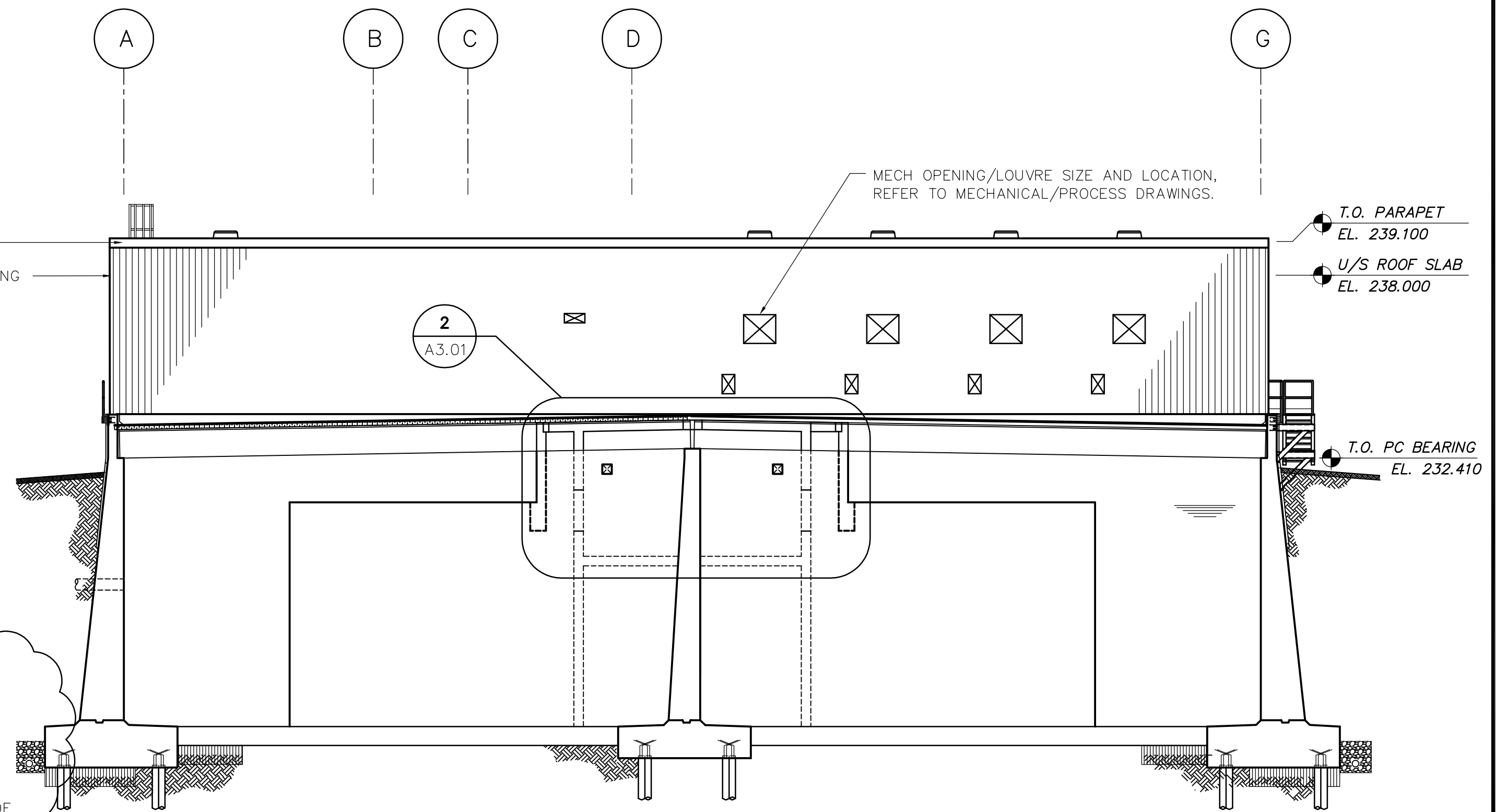
2 BUILDING SECTION  
A1.02 1:125



5 BUILDING SECTION  
A1.02 1:125



4 BUILDING SECTION  
A1.02 1:125



3 BUILDING SECTION  
A1.02 1:125



| NO. | REVISIONS           | DATE     | BY |
|-----|---------------------|----------|----|
| 02  | 291-2006 ADDENDUM 7 | 06/08/02 | LK |
| 01  | 291-2006 ADDENDUM 3 | 06/07/12 | AL |
| 00  | ISSUED FOR TENDER   | 06/05/15 | AL |

|  |  |
|--|--|
| <p>A Tyco International Ltd. Company</p> |  |
| DESIGNED BY: NC                          | CHECKED BY: LK                           |
| DRAWN BY: AL                             | APPROVED BY: JEH                         |
| HOR. SCALE: AS NOTED                     | RELEASED FOR CONSTRUCTION BY: K. MARTENS |
| VERTICAL SCALE:                          |  |
| DATE: 2006/03/21                         | DATE: 2006/05/15                         |

|                               |
|-------------------------------|
| ENGINEER'S SEAL               |
| ORIGINAL SIGNED BY: N. COOPER |
| DATE: 2006/05/15              |
| CONSULTANT DRAWING NO. A3.02  |

|   |                     |
|---|---------------------|
| <p>THE CITY OF WINNIPEG<br/>WATER AND WASTE DEPARTMENT<br/>ENGINEERING DIVISION</p> |                     |
| NEWPC CENTRATE NUTRIENT TREATMENT NITROGEN REMOVAL FACILITY                         |                     |
| ARCHITECTURAL BUILDING SECTION  | CITY FILE NUMBER    |
|   | SHEET OF            |
|   | CITY DRAWING NUMBER |