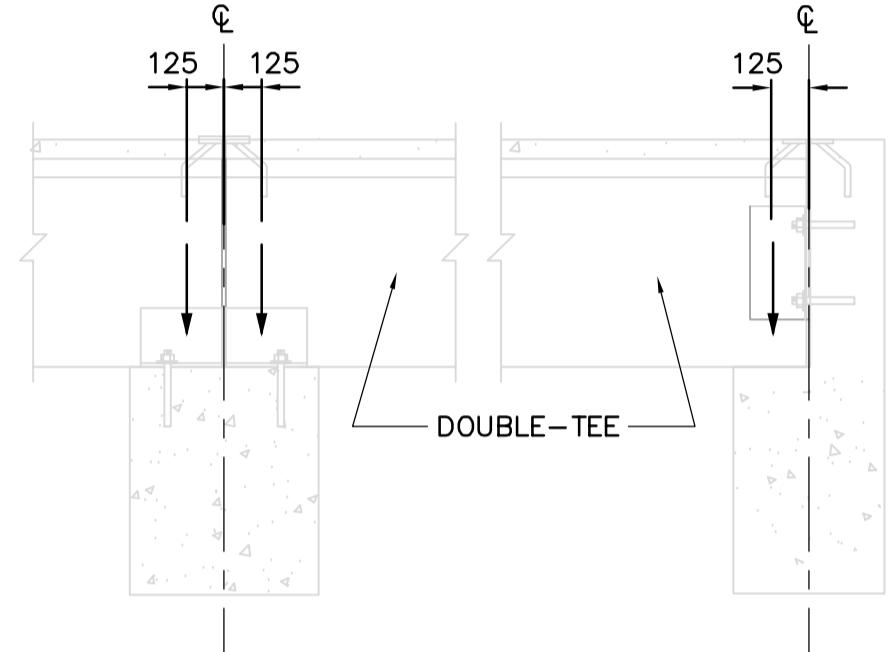
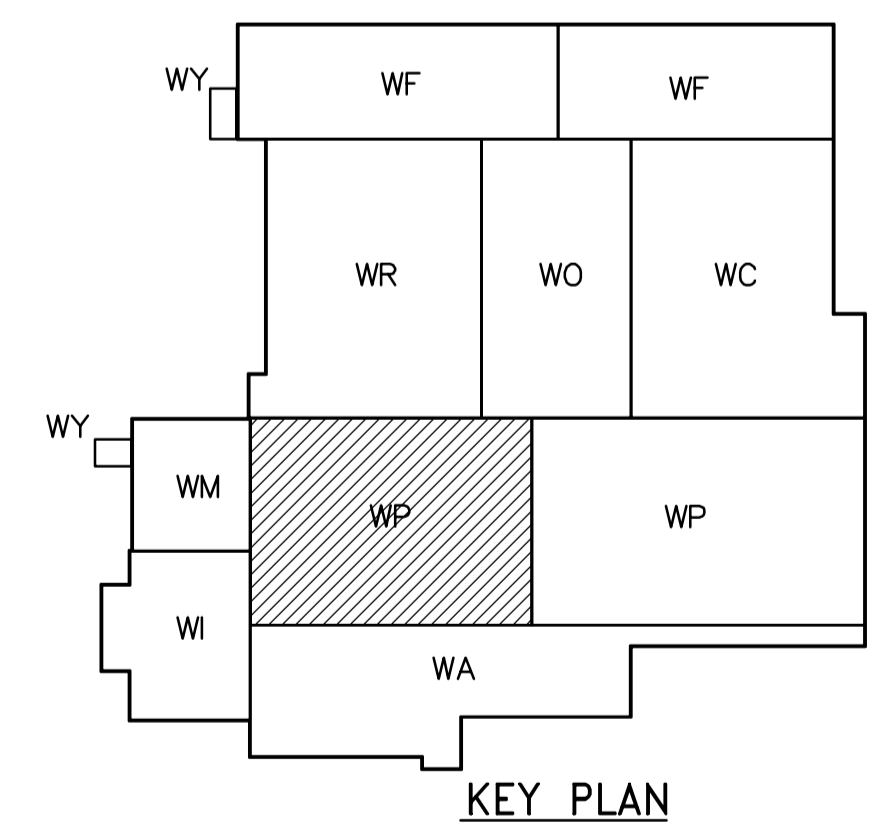


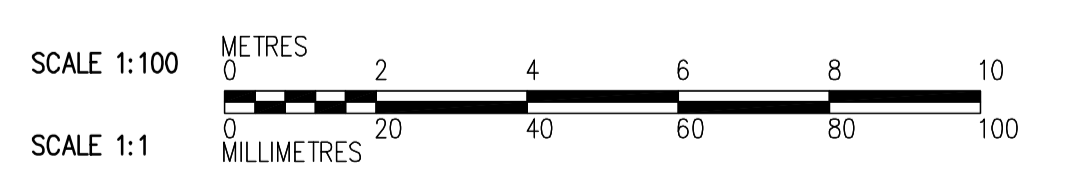
- NOTES:**
- MINIMUM DESIGN LIVE LOAD IS 1.0kN/m² IN ABSENCE OF SNOW LOAD.
 - ESTIMATED WEIGHT OF PRECAST DOUBLE-TEE: 275kg/m²
 - SEE ROOF PLAN DRAWINGS FOR ADDITIONAL LOADS.
 - SEE BID OPPORTUNITY 583-2005 FOR COLUMN AND BEAM SCHEDULES.
 - SEE LOADING INDICATED ON PLAN FOR ALLOWABLE LATERAL LOADS ON COLUMNS.
 - ANY LOADS ON FRAMING IN EXCESS OF THOSE SHOWN OR NOTED REPRESENTS REQUIREMENT FOR ADDITIONAL BRACING AND/OR SHORING.
 - ROOF FRAMING DESIGN LOADS DO NOT INCLUDE IMPACT DUE TO PRECAST INSTALLATION. CONTRACTOR SHALL EMPLOY PRECAST INSTALLATION PROCEDURES THAT WILL NOT OVERSTRESS THE FRAMING SYSTEM.
 - MAXIMUM PERMISSIBLE EXCENTRICITY OF PRECAST DOUBLE-TEE REACTIONS IS SHOWN BELOW:



SEE ROOF PLAN DRAWINGS IN BO 583-2005 FOR SUPPORTING BEAM LOCATIONS.



ROOF FRAMING PLAN
1:100



<p>APEGN Certificate of Authorization CH2M HILL Canada Ltd. No. 1441 Expiry: April 30, 2007</p>	<p>Frederickson Cooper ARCHITECTS</p>	<p>EarthTech A 100 International Ltd. Company</p>	<p>ENGINEER'S SEAL</p> <p>ORIGINAL SIGNED BY D. KRUGER 2006/10/11</p>	<p>THE CITY OF WINNIPEG WATER AND WASTE DEPARTMENT ENGINEERING DIVISION</p> <p>WATER TREATMENT PLANT FLOCCULATION AND DAF SUPPLY AND INSTALLATION OF PRECAST ROOF PANELS</p> <p>STRUCTURAL FLOC/DAF AREA 1 ROOF FRAMING PLAN</p>	<p>CITY FILE NUMBER</p>
	<p>DESIGNED BY: MH</p> <p>CHECKED BY: AP</p>	<p>DRAWN BY: CR</p> <p>APPROVED BY: AHL</p>	<p>CONSULTANT DRAWING NO. WP-S5141</p>		<p>SHEET OF</p>
	<p>SCALE: 1:100</p> <p>RELEASED FOR CONSTRUCTION BY: R. SOROKOWSKI</p>	<p>DATE: 2006/08/30</p> <p>DATE: 2006/10/11</p>	<p>CITY DRAWING NUMBER 1-0601P-A-S5141-001-000</p>		
	<p>NO. REVISIONS</p> <p>DATE</p> <p>BY</p>	<p>DATE</p> <p>DATE</p>			