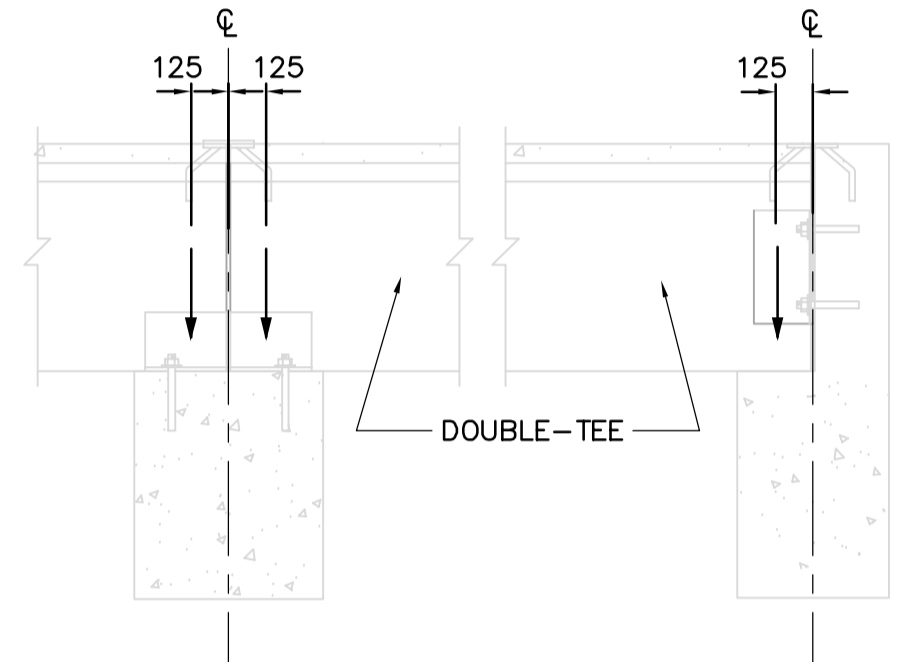
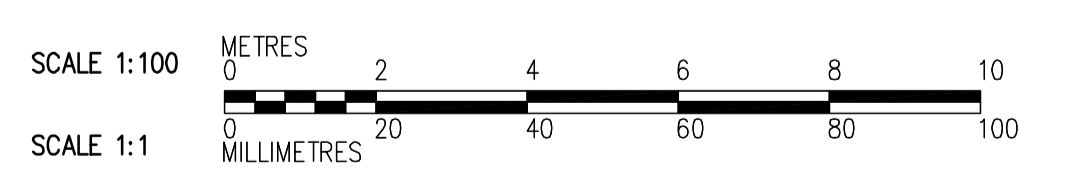
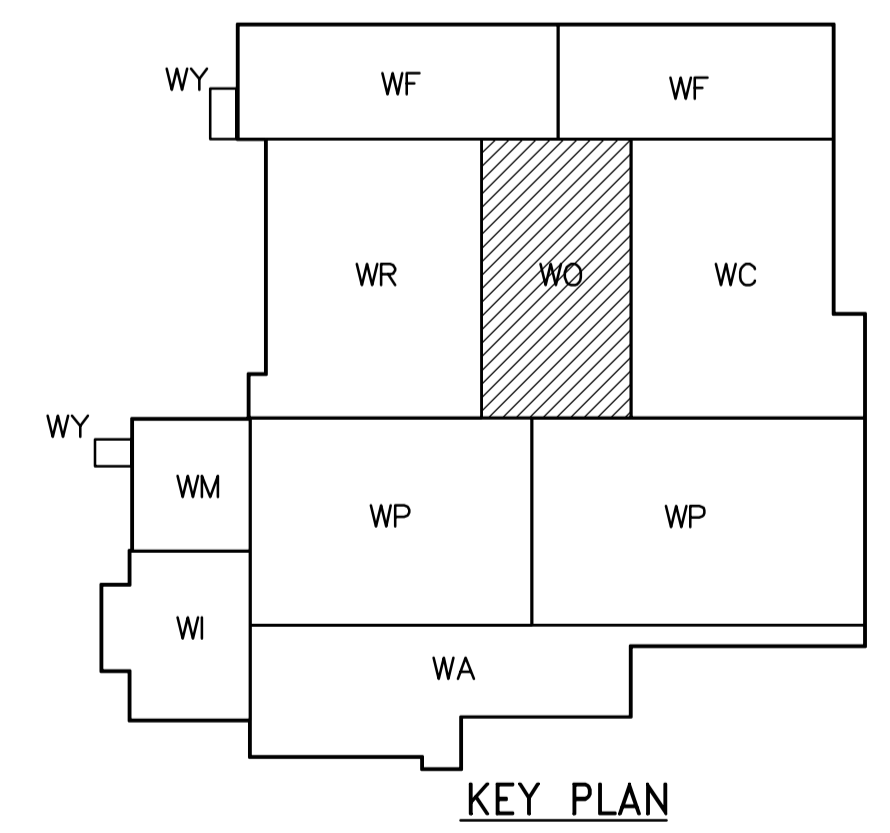


- NOTES:**
1. MINIMUM DESIGN LIVE LOAD IS 1.0kN/m² IN ABSENCE OF SNOW LOAD.
 2. ESTIMATED WEIGHT OF PRECAST DOUBLE-TEE: 275kg/m²
 3. SEE ROOF PLAN DRAWINGS FOR ADDITIONAL LOADS.
 4. SEE BID OPPORTUNITY 583-2005 FOR COLUMN AND BEAM SCHEDULES.
 5. SEE LOADING INDICATED ON PLAN FOR ALLOWABLE LATERAL LOADS ON COLUMNS.
 6. ANY LOADS ON FRAMING IN EXCESS OF THOSE SHOWN OR NOTED REPRESENTS REQUIREMENT FOR ADDITIONAL BRACING AND/OR SHORING.
 7. ROOF FRAMING DESIGN LOADS DO NOT INCLUDE IMPACT DUE TO PRECAST INSTALLATION, CONTRACTOR SHALL EMPLOY PRECAST INSTALLATION PROCEDURES THAT WILL NOT OVERSTRESS THE FRAMING SYSTEM.
 8. MAXIMUM PERMISSIBLE EXCENTRICITY OF PRECAST DOUBLE-TEE REACTIONS IS SHOWN BELOW:



SEE ROOF PLAN DRAWINGS IN BO 583-2005 FOR SUPPORTING BEAM LOCATIONS.



ROOF FRAMING PLAN
1:100

<p>APEGN Certificate of Authorization CH2M HILL Canada Ltd. No. 1441 Expiry: April 30, 2007</p>	<p>Frederickson Cooper ARCHITECTS</p>		<p>EarthTech A 100 International Ltd. Company</p>		ENGINEER'S SEAL ORIGINAL SIGNED BY D. KRUGER 2006/10/11	<p>THE CITY OF WINNIPEG WATER AND WASTE DEPARTMENT ENGINEERING DIVISION</p>
	DESIGNED BY: MH CHECKED BY: AP		DRAWN BY: CR APPROVED BY: AHL		WATER TREATMENT PLANT OZONE SUPPLY AND INSTALLATION OF PRECAST ROOF PANELS	
	SCALE: 1:100 RELEASED FOR CONSTRUCTION BY: R. SOROKOWSKI		CONSULTANT DRAWING NO. WO-S5141			
	00 ISSUED FOR TENDER 06/10/11 DK		2006/08/30 2006/10/11		CITY FILE NUMBER SHEET OF CITY DRAWING NUMBER 1-06010-A-S5141-001-000	