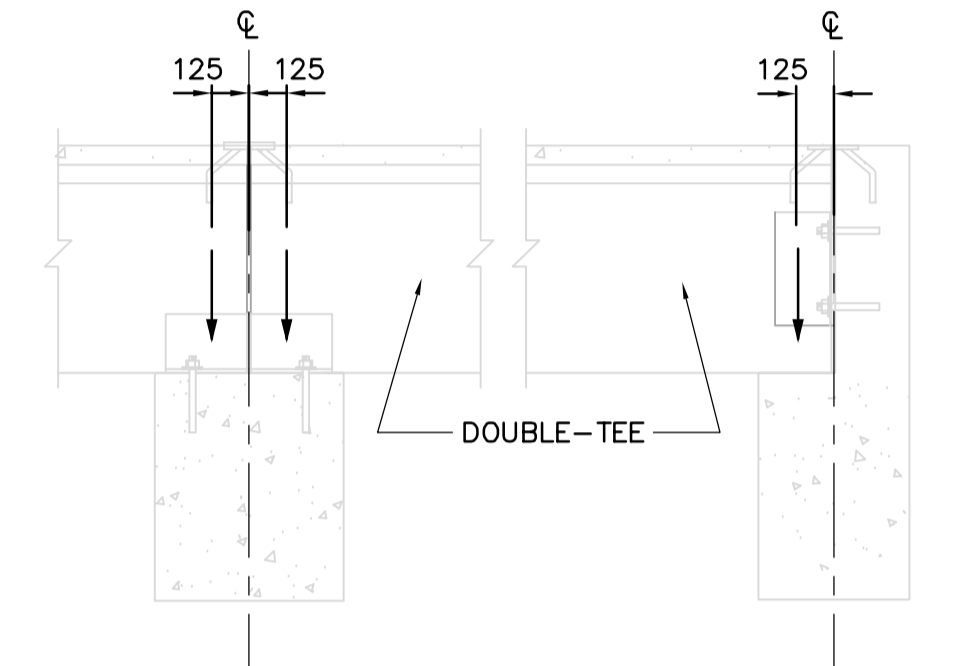


LATERAL LOAD CAPACITY OF EACH COLUMN IN THIS EAST-WEST ROW BETWEEN B2 AND B8 : 2.75kN

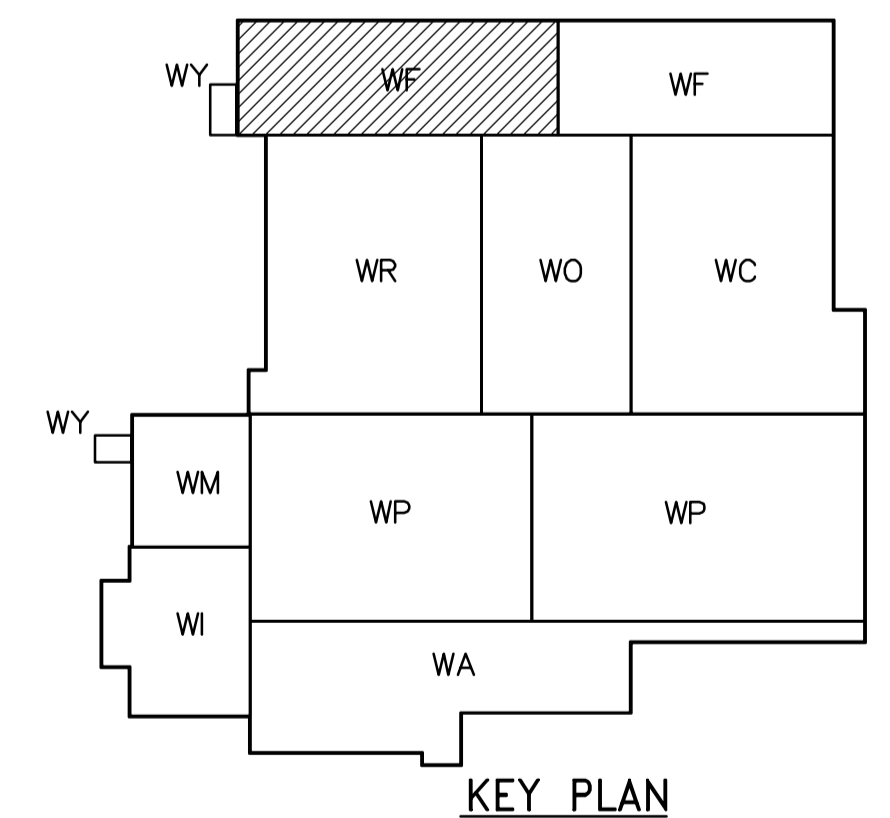
LATERAL LOAD CAPACITY OF EACH COLUMN IN THIS EAST-WEST ROW BETWEEN B2 AND B8 : 2.75kN

- NOTES:**
1. MINIMUM DESIGN LIVE LOAD IS 1.0kN/m² IN ABSENCE OF SNOW LOAD.
 2. ESTIMATED WEIGHT OF PRECAST DOUBLE-TEE: 275kg/m²
 3. SEE ROOF PLAN DRAWINGS FOR ADDITIONAL LOADS.
 4. SEE BID OPPORTUNITY 583-2005 FOR COLUMN AND BEAM SCHEDULES.
 5. SEE LOADING INDICATED ON PLAN FOR ALLOWABLE LATERAL LOADS ON COLUMNS.
 6. ANY LOADS ON FRAMING IN EXCESS OF THOSE SHOWN OR NOTED REPRESENTS REQUIREMENT FOR ADDITIONAL BRACING AND/OR SHORING.
 7. ROOF FRAMING DESIGN LOADS DO NOT INCLUDE IMPACT DUE TO PRECAST INSTALLATION. CONTRACTOR SHALL EMPLOY PRECAST INSTALLATION PROCEDURES THAT WILL NOT OVERSTRESS THE FRAMING SYSTEM.
 8. MAXIMUM PERMISSIBLE EXCENTRICITY OF PRECAST DOUBLE-TEE REACTIONS IS SHOWN BELOW:

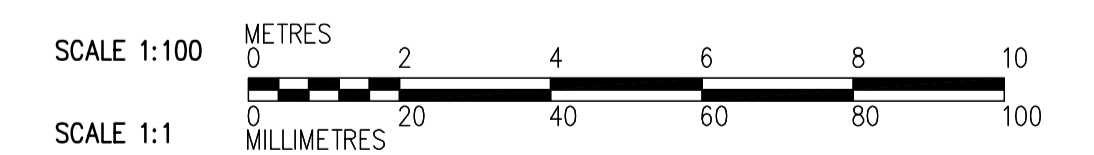


SEE ROOF PLAN DRAWINGS IN BO 583-2005 FOR SUPPORTING BEAM LOCATIONS.

ROOF FRAMING PLAN
1:100



KEY PLAN



<p>APEGN Certificate of Authorization CH2M HILL Canada Ltd. No. 1441 Expiry: April 30, 2007</p>	<p>DESIGNED BY: MH DRAWN BY: CR SCALE: 1:100</p>	<p>CHECKED BY: AP APPROVED BY: AHL RELEASED FOR CONSTRUCTION BY: R. SOROKOWSKI</p>	<p>ENGINEER'S SEAL ORIGINAL SIGNED BY: D. KRUGER DATE: 2006/10/11 CONSULTANT DRAWING NO.: WF-S5141</p>	<p>THE CITY OF WINNIPEG WATER AND WASTE DEPARTMENT ENGINEERING DIVISION WATER TREATMENT PLANT FILTRATION SUPPLY AND INSTALLATION OF PRECAST ROOF PANELS STRUCTURAL FILTRATION AREA 1 ROOF FRAMING PLAN</p>	<p>CITY FILE NUMBER SHEET OF CITY DRAWING NUMBER 1-0601F-A-S5141-001-000</p>			
						<p>B.M. ELEV.</p>	<p>ISSUED FOR TENDER: 06/10/11 BY: DK</p>	<p>DATE: 2006/08/30 DATE: 2006/10/11</p>
						<p>NO. REVISIONS</p>	<p>DATE</p>	<p>DATE</p>
						<p>BY</p>	<p>BY</p>	<p>BY</p>