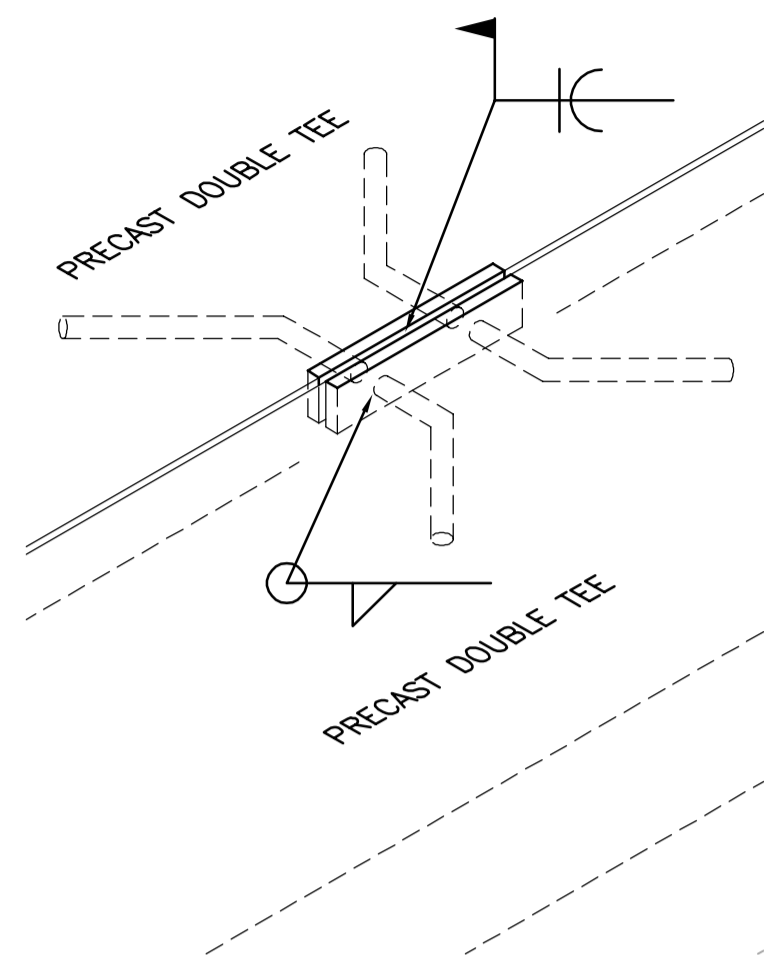
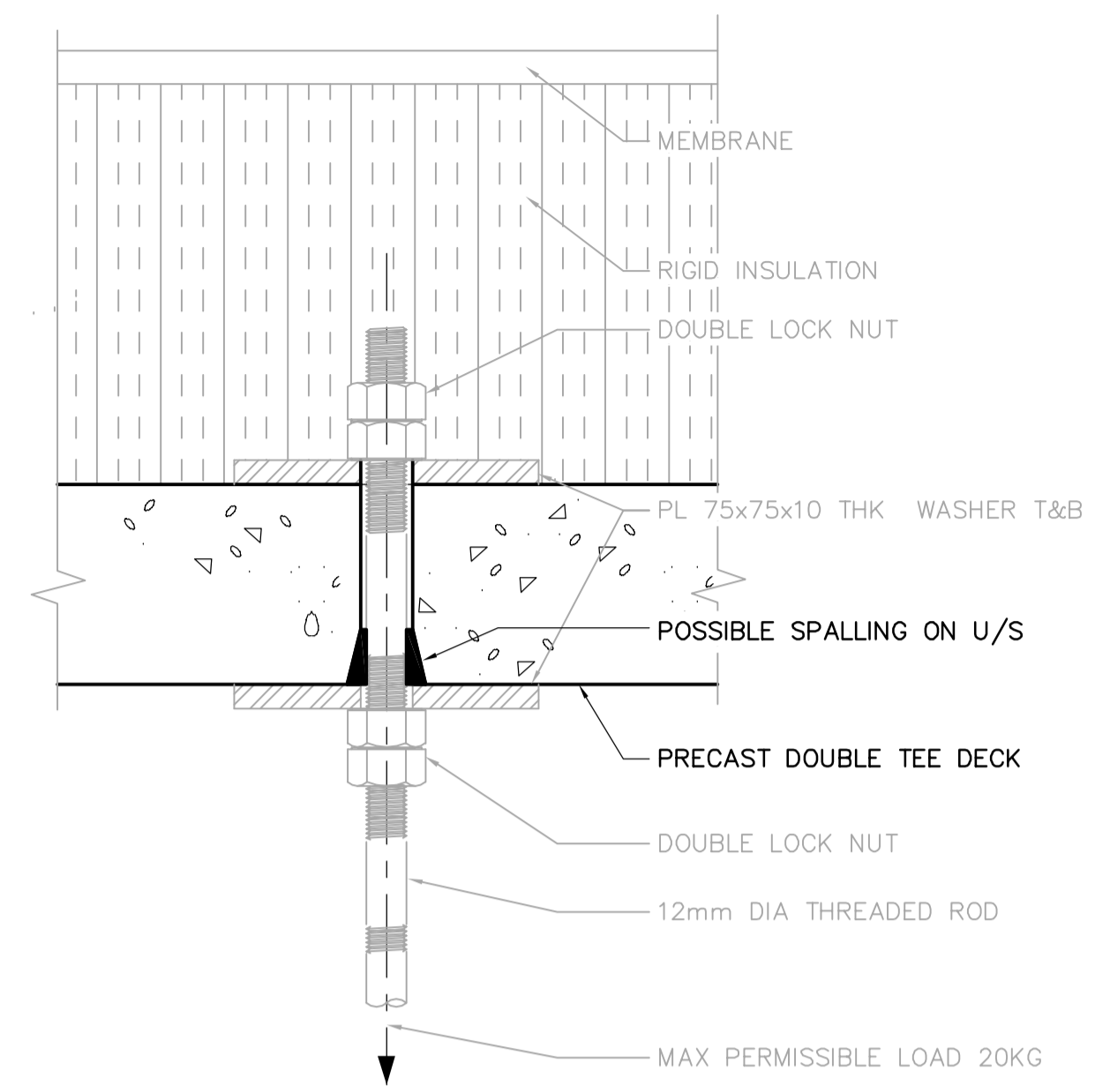


1
-
DETAIL
N.T.S.



2
-
DETAIL
N.T.S.

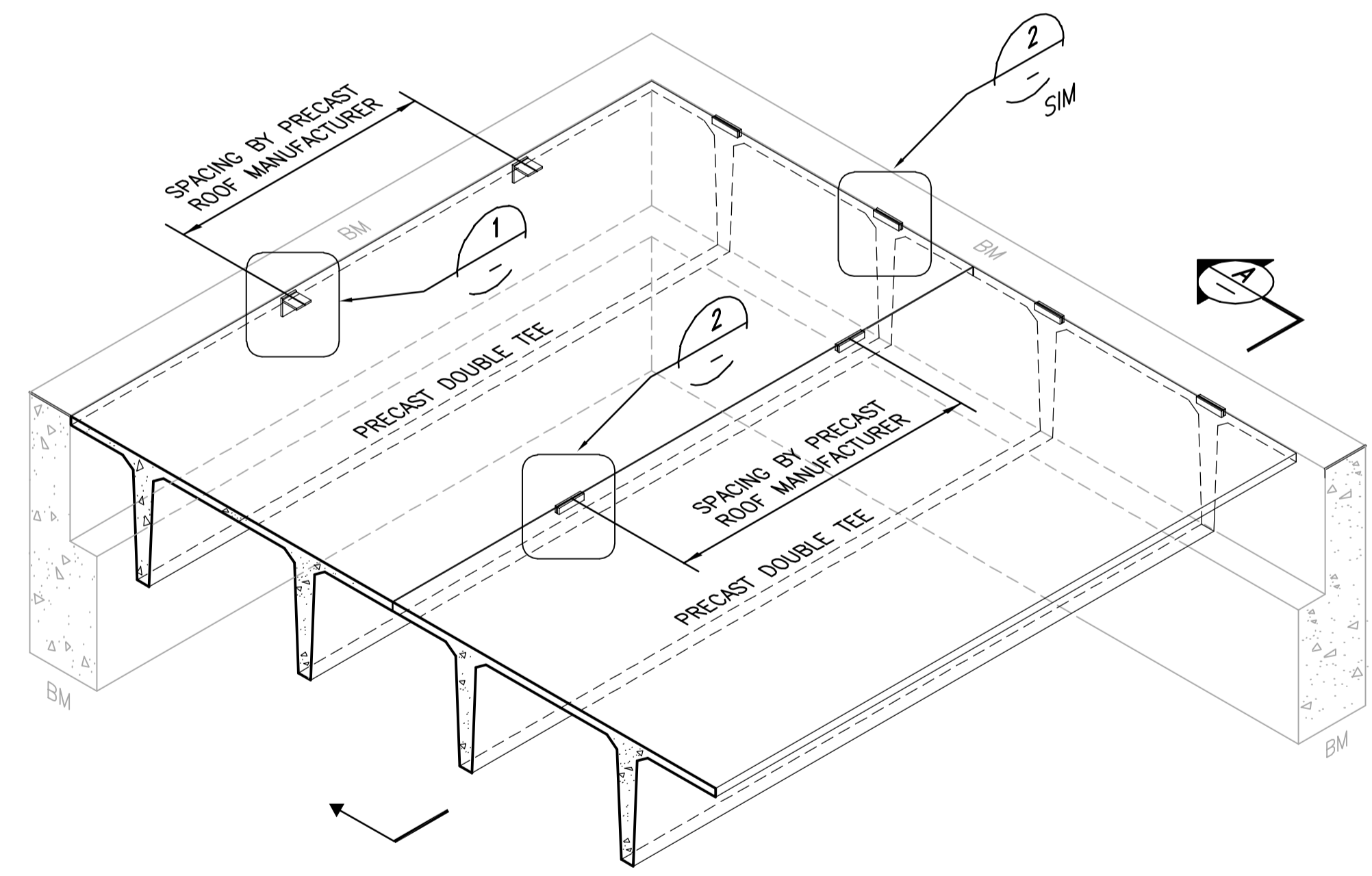


HANGER IN DOUBLE TEE

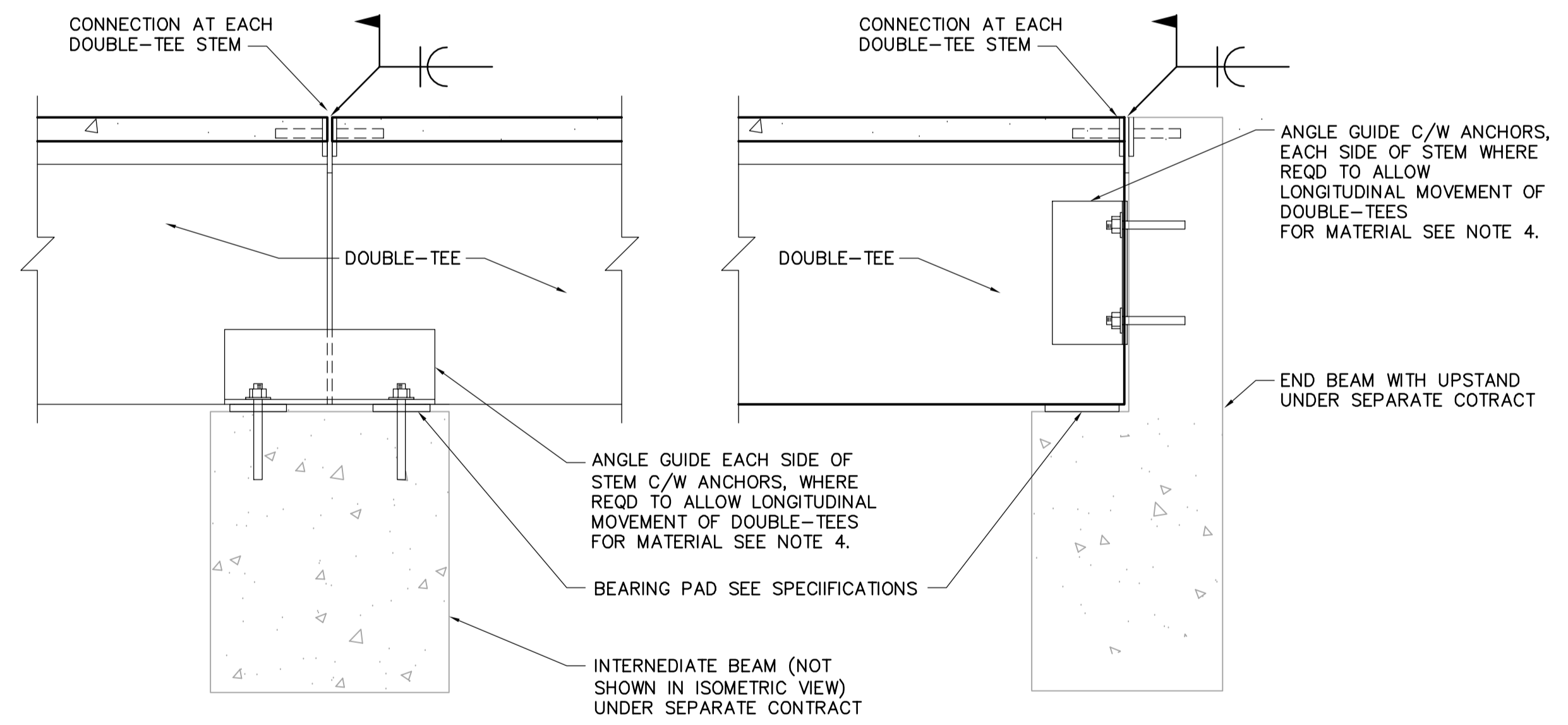
3
-
DETAIL
N.T.S.

NOTES:

- GUIDES SHOWN IN (A) ARE SUGGESTED ONLY.
REFER TO SPECIFICATIONS FOR DESIGN REQUIREMENTS. LOCATE BEAM TOP BARS PRIOR TO INSTALLATION OF ANCHORS. INSTALL ANCHORS TO AVOID DAMAGE TO BEAM REINFORCEMENT.
- ALL MATERIAL FOR DOUBLE-TEE CONNECTIONS TO BE A304 STAINLESS STEEL, TYPICAL. EXCEPT AS NOTED.
- CONNECTIONS SHOWN IN (1) (2) (A) ARE SUGGESTED CONNECTIONS ONLY. REFER TO SPECIFICATIONS FOR DESIGN REQUIREMENTS.
- ALL EXPOSED PLATES, ANGLES, ETC. EXCEPT SST HARDWARE TO BE HOT-DIPPED GALVANIZED.



PARTIAL ISOMETRIC VIEW
N.T.S.



A
-
SECTION
N.T.S.

<p>APEGN Certificate of Authorization CH2M HILL Canada Ltd. No. 1441 Expiry: April 30, 2007</p>	B.M. ELEV.	<p>Frederickson Cooper ARCHITECTS</p>	<p>EarthTech A 100 International Ltd. Company</p>	ENGINEER'S SEAL	<p>THE CITY OF WINNIPEG WATER AND WASTE DEPARTMENT ENGINEERING DIVISION</p>		
				DESIGNED BY MH		CHECKED BY AP	ORIGINAL SIGNED BY D. KRUGER
				DRAWN BY CR		APPROVED BY AHL	2006/10/11
				SCALE: NTS		RELEASED FOR CONSTRUCTION BY: R. SOROKOWSKI	CONSULTANT DRAWING NO. WB-S5451
	00 ISSUED FOR TENDER 06/10/11 DK	DATE 2006/08/30	DATE 2006/10/11		<p>WATER TREATMENT PLANT MAIN BUILDING SUPPLY AND INSTALLATION OF PRECAST ROOF PANELS</p>	CITY FILE NUMBER	
	NO. REVISIONS	DATE	BY		STRUCTURAL	SHEET OF	
					STANDARD DETAILS	CITY DRAWING NUMBER	
						1-0601B-A-S5451-001-000	