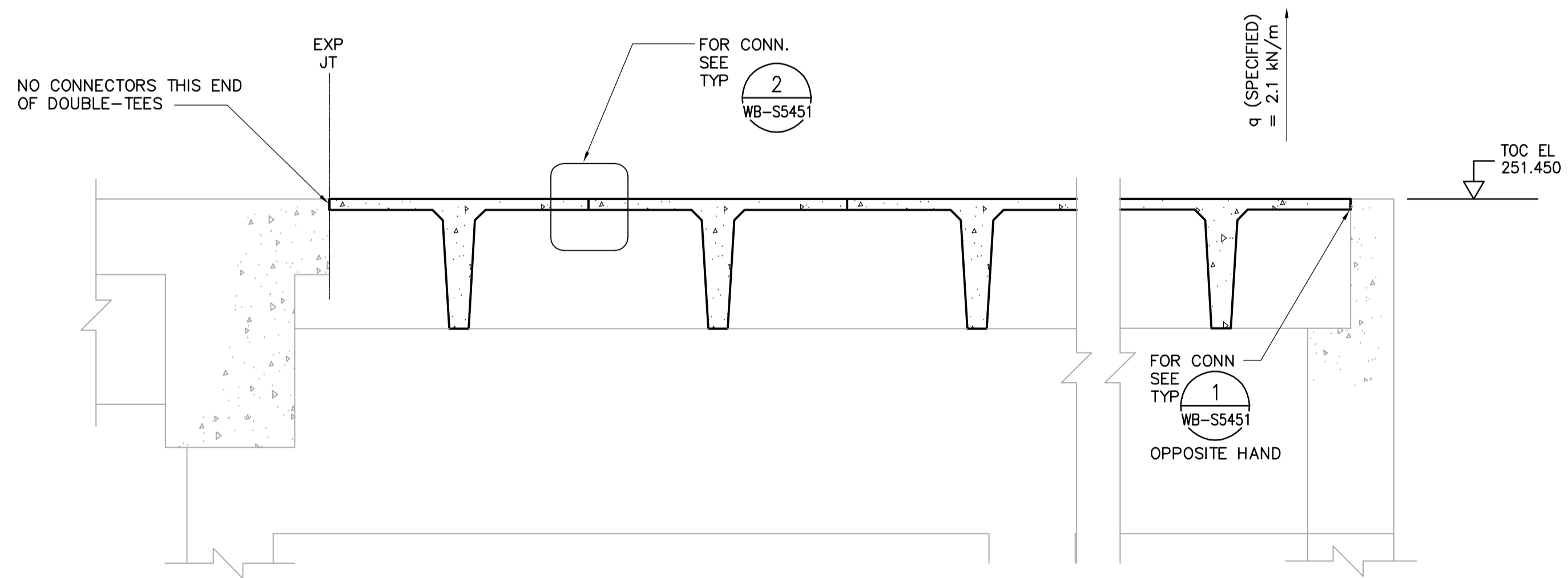


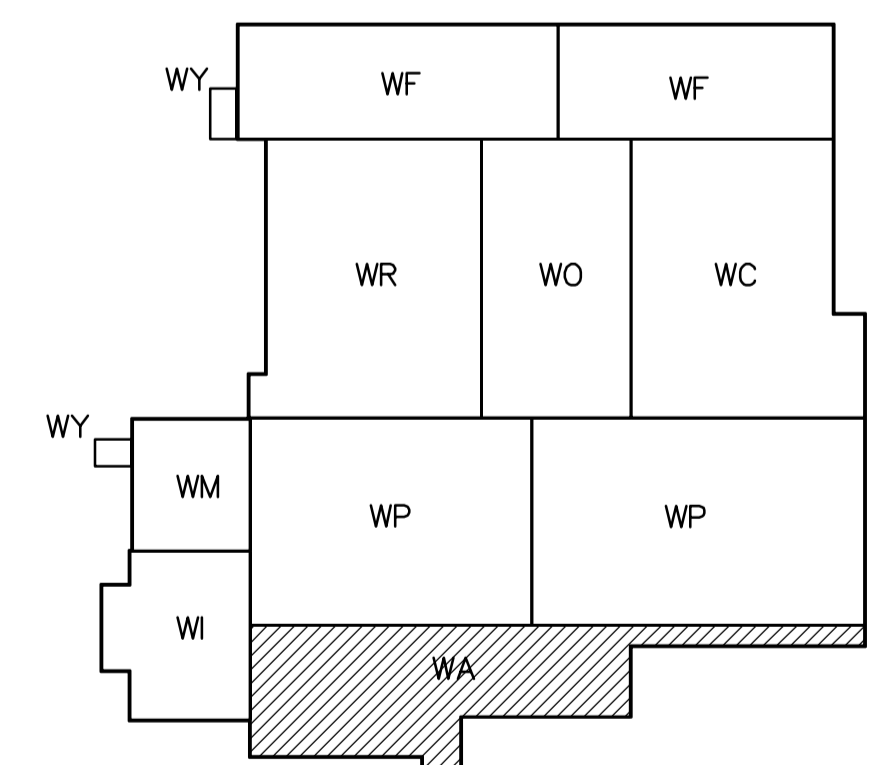
ROOF PLAN
1:100



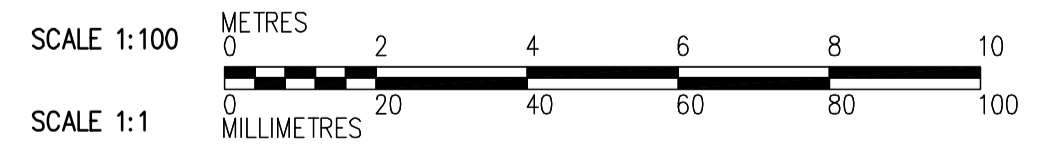
SECTION A
WA-S5141 1:20

NOTES:

1. SPECIFIED SNOW LOAD = 1.56 kPa
2. SPECIFIED SERVICE LOAD = 1 kPa
3. SEE DRAWING WB-S5451 FOR PRECAST DETAILS.
4. SEE DETAIL 3 TO SUPPORT LIGHT FIXTURES, INSTALLED UNDER SEPARATE CONTRACT.
5. PROVIDE 20mm DIA SLEEVES IN ALL DOUBLE TEE STEMS 1200mm C/C.



KEY PLAN



<p>APEGN Certificate of Authorization CH2M HILL Canada Ltd. No. 1441 Expiry: April 30, 2007</p>	<p>Frederickson Cooper ARCHITECTS</p>	<p>EarthTech A 100 International Ltd. Company</p>	ENGINEER'S SEAL	<p>THE CITY OF WINNIPEG WATER AND WASTE DEPARTMENT ENGINEERING DIVISION</p>	CITY FILE NUMBER
			DESIGNED BY: MH CHECKED BY: AP DRAWN BY: CR APPROVED BY: AHL SCALE: 1:100 RELEASED FOR CONSTRUCTION BY: R. SOROKOWSKI		ORIGINAL SIGNED BY: D. KRUGER DATE: 2006/10/11 CONSULTANT DRAWING NO.: WA-S5146
B.M. ELEV.		00 ISSUED FOR TENDER 06/10/11 DK NO. REVISIONS DATE BY DATE 2006/08/30 DATE 2006/10/11			