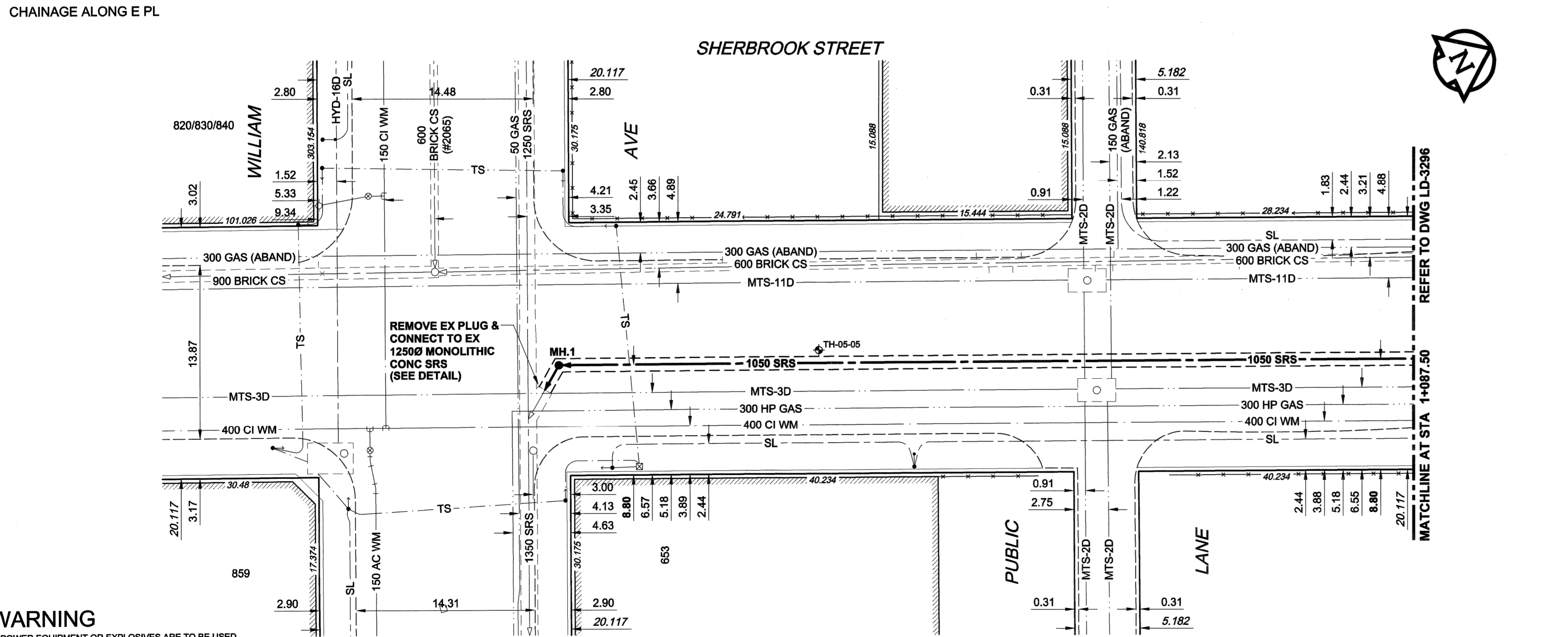
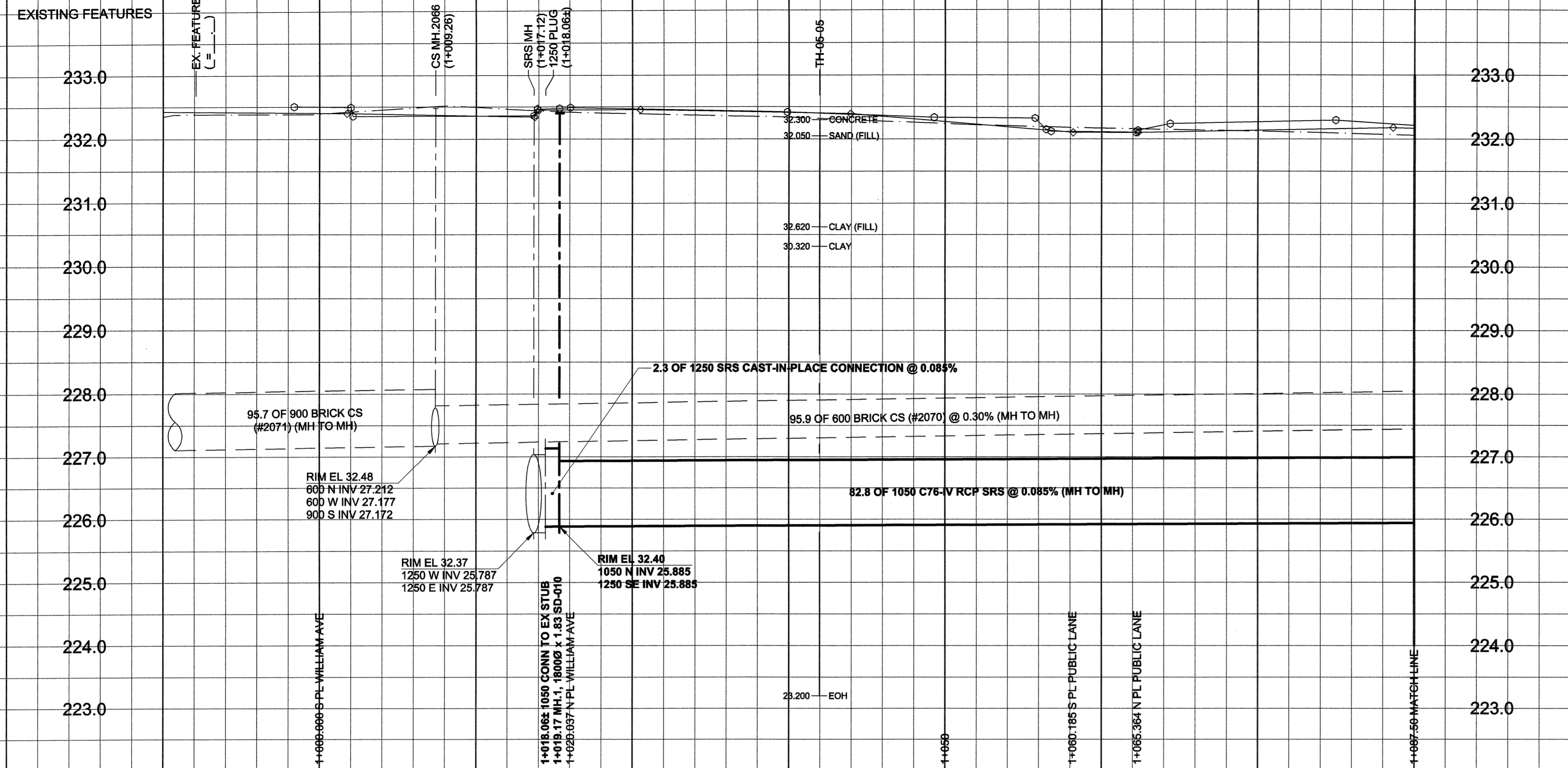


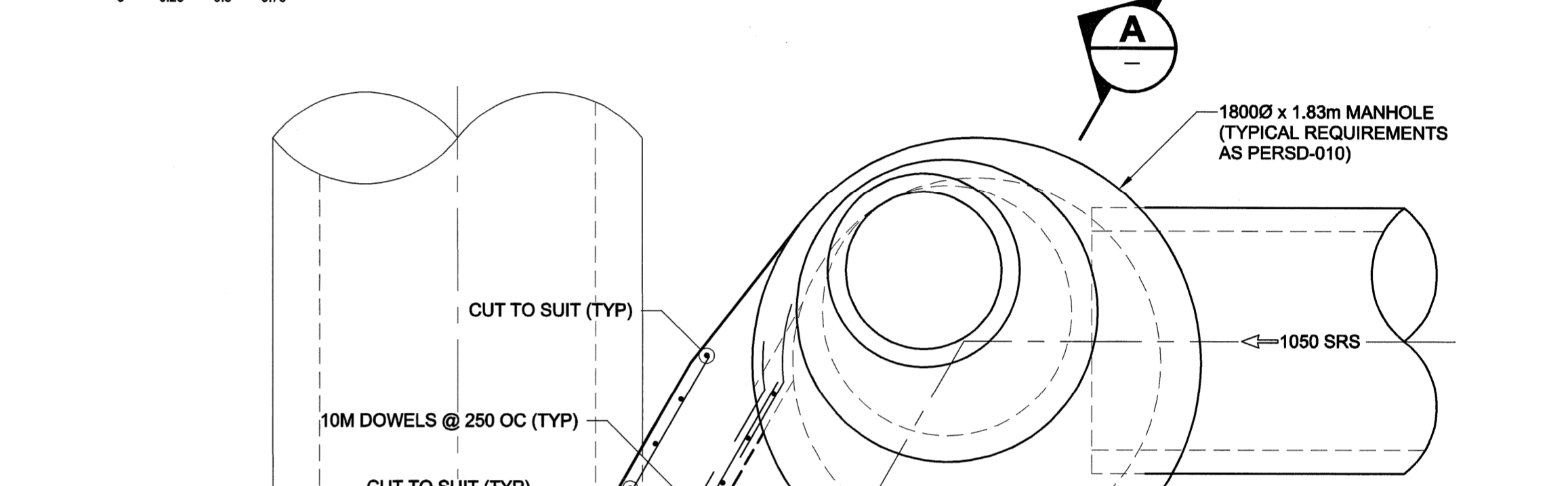
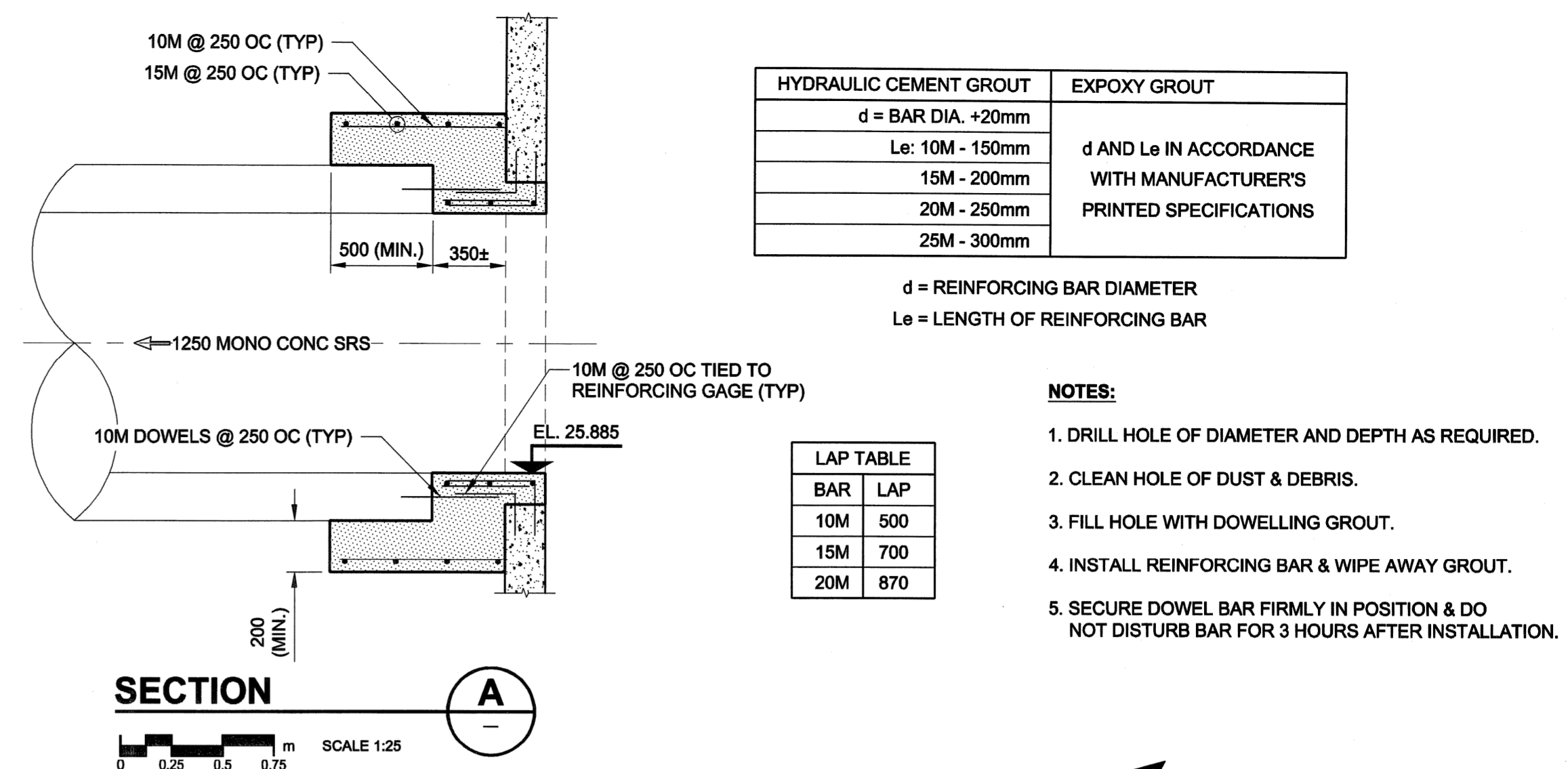
D SIZE 22" x 34" 659mm x 864mm

PLOT: 06/03/11 12:30:03 PM

UMA FILE NAME: D265-177-02_01-C-0001_RX.dwg Saved By: dlane



WARNING
 IF POWER EQUIPMENT OR EXPLOSIVES ARE TO BE USED FOR EXCAVATION ON THIS PROJECT, THE CONTRACTOR MUST:
 1) NOTIFY THE GAS COMPANY OF THE PROPOSED LOCATION OF EXCAVATION.
 2) TAKE PRECAUTION TO AVOID DAMAGE TO GAS COMPANY INSTALLATIONS.
 SEE PROVINCIAL REGULATION 140/92 FOR DETAILS



HYDRAULIC CEMENT GROUT	EPOXY GROUT
d = BAR DIA. +20mm	d AND Le IN ACCORDANCE WITH MANUFACTURER'S PRINTED SPECIFICATIONS
Le: 10M - 150mm	
15M - 200mm	
20M - 250mm	
25M - 300mm	

d = REINFORCING BAR DIAMETER
 Le = LENGTH OF REINFORCING BAR

BAR	LAP
10M	500
15M	700
20M	870

- NOTES:**
1. DRILL HOLE OF DIAMETER AND DEPTH AS REQUIRED.
 2. CLEAN HOLE OF DUST & DEBRIS.
 3. FILL HOLE WITH DOWELLING GROUT.
 4. INSTALL REINFORCING BAR & WIPE AWAY GROUT.
 5. SECURE DOWEL BAR FIRMLY IN POSITION & DO NOT DISTURB BAR FOR 3 HOURS AFTER INSTALLATION.

DETAIL
 SCALE 1:25
 1250 CONNECTION
 SHERBROOK STREET & WILLIAM AVENUE

- CONSTRUCTION NOTES:**
1. FOR DETAILED TEST HOLE INFORMATION, SEE SPECIFICATION.
 2. THE LOCATION OF ALL SERVICES IS TO BE CONFIRMED IN THE FIELD.
 3. INSTALL NEW SEWERS AND CATCHBASIN LEADS BY TRENCHLESS METHODS WHEREVER POSSIBLE.
 4. RENEW/REHABILITATE CATCHBASINS & RENEW CATCHBASIN LEADS WHERE NOTED.

EXISTING	LEGEND - PLAN	NEW	EXISTING	LEGEND - PROFILE	NEW
150 mm WM	WATERMAIN	150 mm WM	CURB STOP	150 mm WM	WATERMAIN
300 mm LDS	LAND DRAINAGE SEWER	300 mm LDS	REDUCER	300 mm LDS	LAND DRAINAGE SEWER
250 mm WWS	WASTE WATER SEWER	250 mm WWS	COUPLING	250 mm WWS	WASTE WATER SEWER
MANHOLE		ANODE		MANHOLE	
CATCH BASIN		HYDRO		CATCH BASIN	
CURB INLET		MTS		CURB INLET	
CULVERT		GAS		CULVERT	
PIPE ABANDONMENTS		TESTHOLE		PIPE ABANDONMENTS	
SURVEY BAR		LAMP STANDARD		SURVEY BAR	
		TREE			

LOCATION APPROVED
 UNDERGROUND STRUCTURES
 SUPR. U/G STRUCTURES COMMITTEE DATE
 NOTE: LOCATION OF UNDERGROUND STRUCTURES AS SHOWN ARE BASED ON THE BEST INFORMATION AVAILABLE. BUT NO GUARANTEE IS GIVEN THAT ALL EXISTING UTILITIES ARE SHOWN OR THAT THE GIVEN LOCATIONS ARE EXACT. CONFIRMATION OF EXISTENCE AND EXACT LOCATION OF ALL SERVICES MUST BE OBTAINED FROM THE INDIVIDUAL UTILITIES BEFORE PROCEEDING WITH CONSTRUCTION.

BM 36-039	N. Side William Ave. W. of Sherbrook St., Tbt. in S. Conc. foundation No. 671 William Ave. (Harry Medovy House), 5.2m W. & 0.6m below bricks of east S. Ely. Cor. of Bldg.
ELEV 232.749m	

DESIGNED BY	GEB	CHECKED BY	<i>[Signature]</i>
DRAWN BY	ADL	APPROVED BY	<i>[Signature]</i>
HOR. SCALE	1:250	RELEASED FOR CONSTRUCTION	<i>[Signature]</i>
VERT. SCALE	1:50	DATE	March 14/08
ISSUED FOR CONSTRUCTION	08/03/08	ADL	
NO. REVISIONS	YY/MM/DD	BY	

METRIC
 WHOLE NUMBERS INDICATE MILLIMETRES
 DECIMALIZED NUMBERS INDICATE METRES

UMA AECOM
 © 2005 UMA ENGINEERING LTD. ALL RIGHTS RESERVED.
 PROFESSIONAL'S SEAL
 PROVINCE OF MANITOBA
 A. NAGY
 March 13, 2008
 REGISTERED PROFESSIONAL ENGINEER
 CONSULTANT DRAWING NO. 01
 D265-177-02-01

THE CITY OF WINNIPEG
 WATER AND WASTE DEPARTMENT
 ALEXANDER/BANNATYNE
 COMBINED SEWER RELIEF
 CONTRACT 2A
 SHERBROOK STREET
 WILLIAM AVENUE
 TO 18m SOUTH OF ELGIN AVENUE

SHEET 1 OF 21
 CITY DRAWING NUMBER
 LD-3295
 REV 0

BID OPPORTUNITY NO. 132-2006