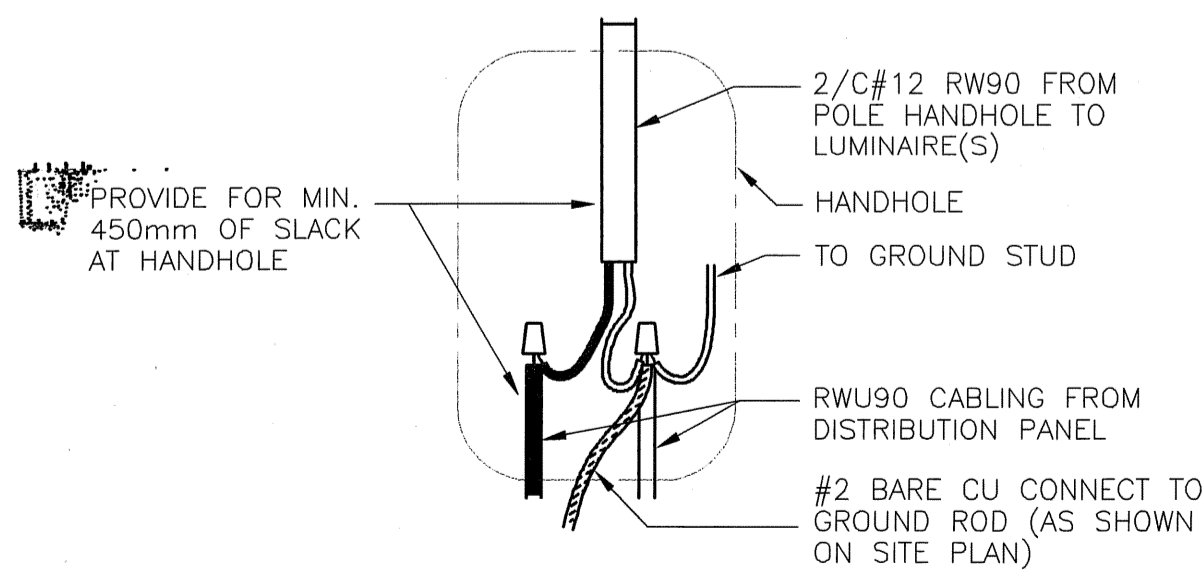
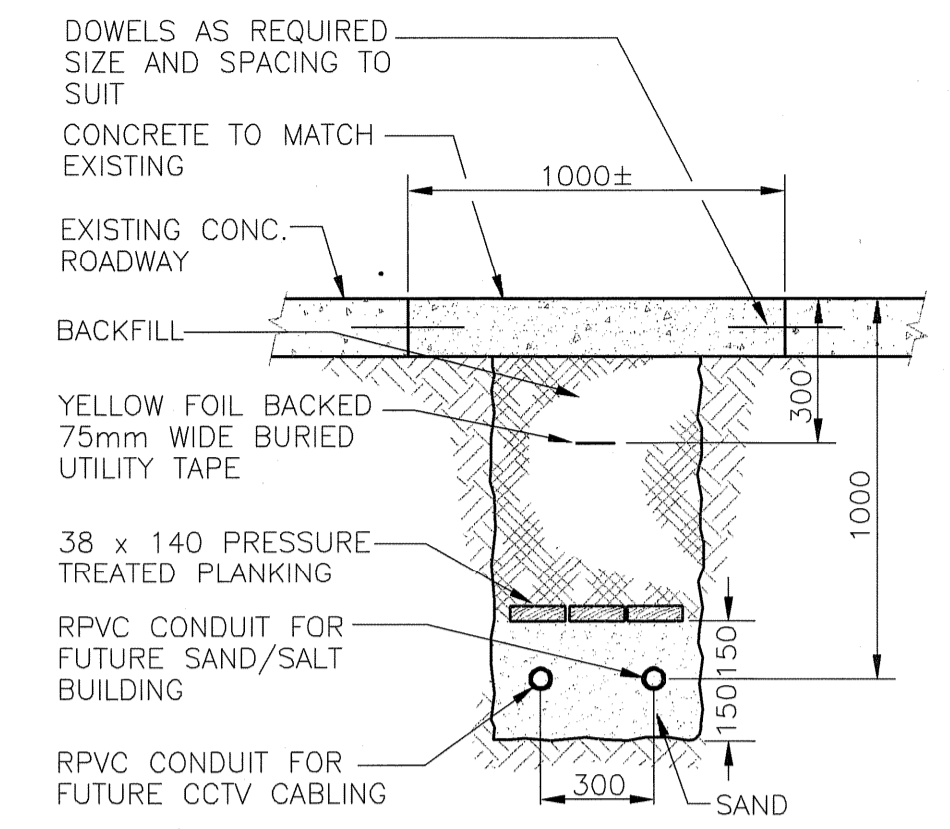


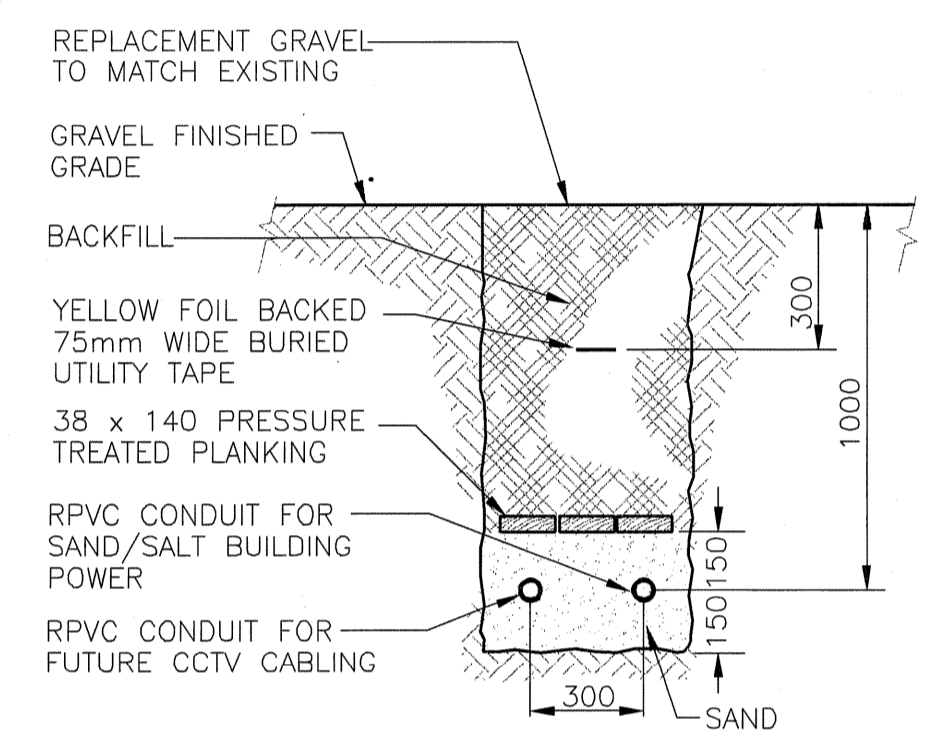
A **DETAIL - FLOODLIGHT AND POLE**
04 | 05 N.T.S.



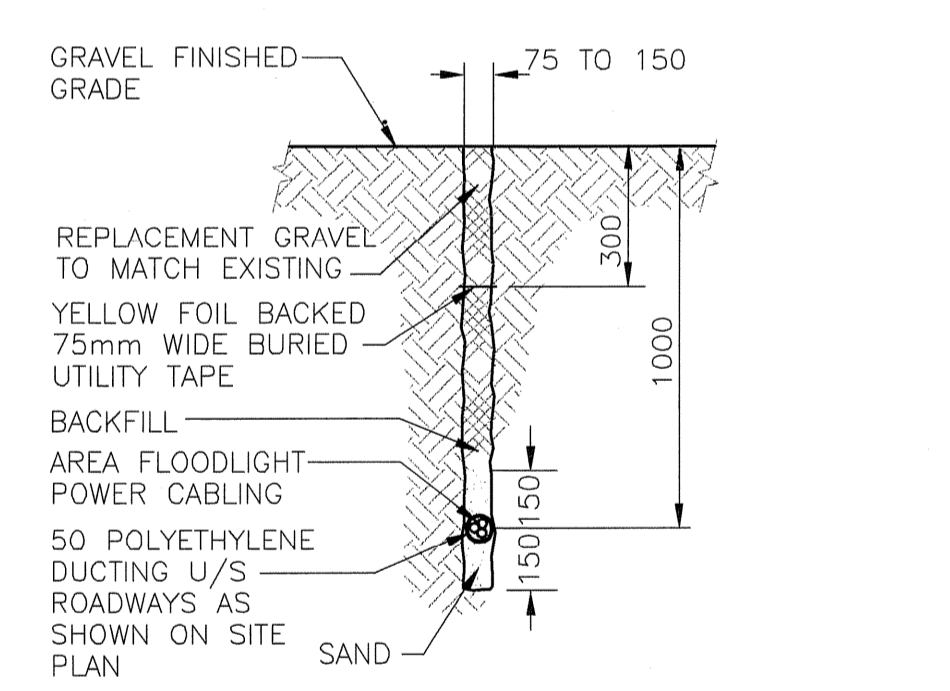
G **FLOODLIGHT WIRING**
N.T.S.



B **TRENCH DETAIL UNDER CONCRETE ROADWAY**
04 | 05 N.T.S.



C **TRENCH DETAIL UNDER GRAVEL AREA**
04 | 05 N.T.S.

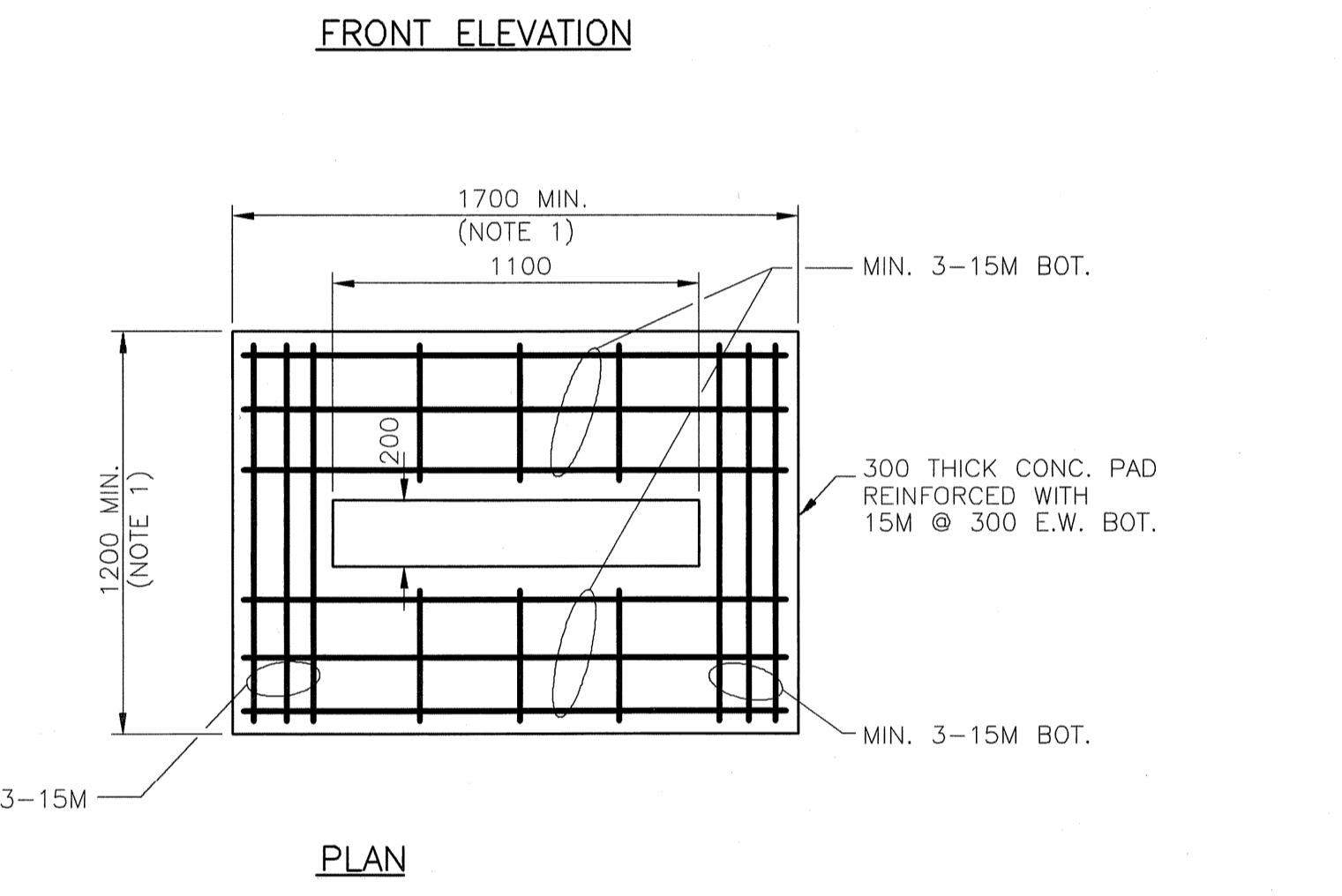
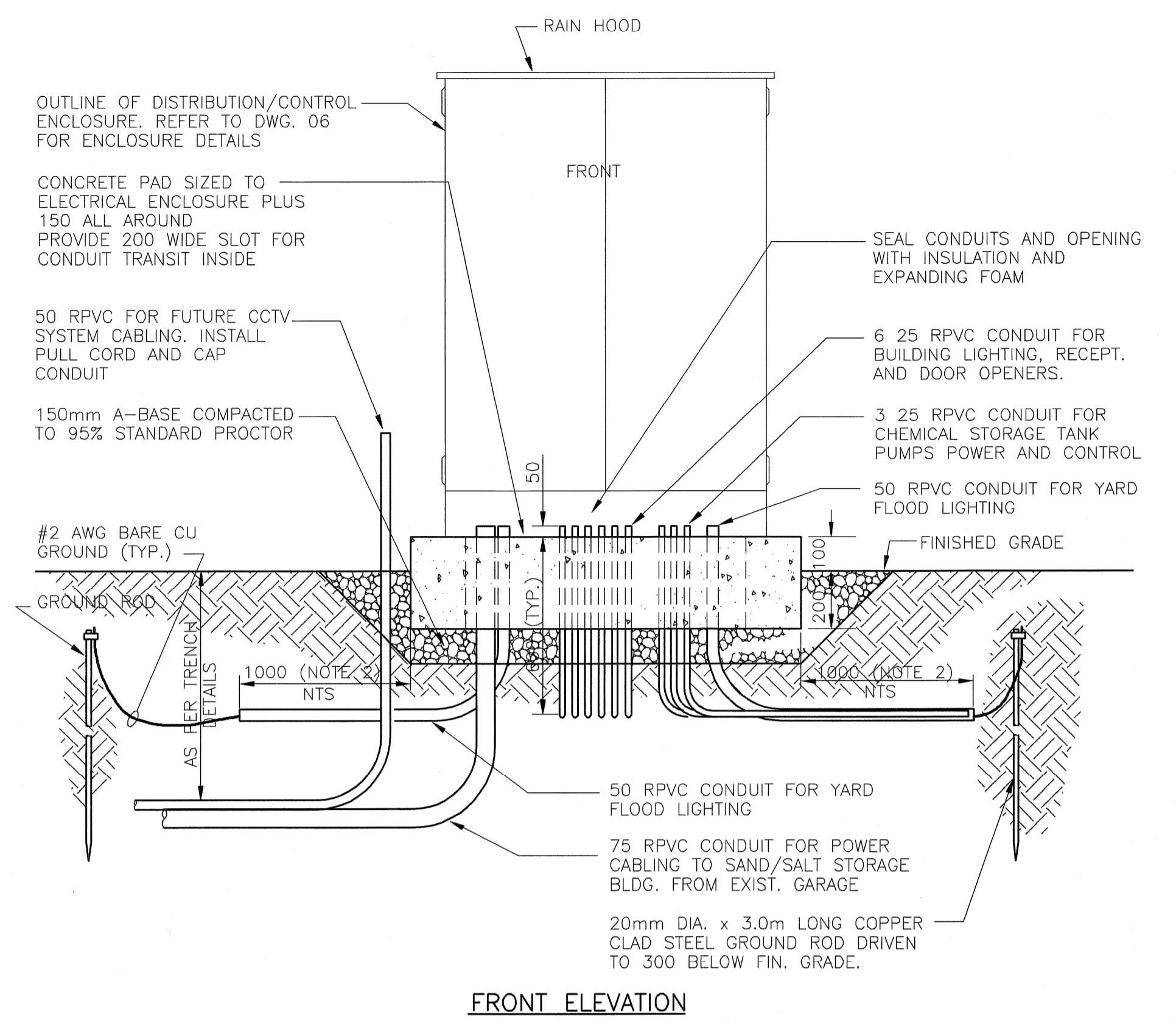


D **TRENCH DETAIL FLOODLIGHT POWER**
04 | 05 N.T.S.

E **EXISTING CDP 'B' ELEVATION**
04 | 05 N.T.S.

B01	40A 3P	100A 3P	B12
B02	100A 3P	100A 3P	B13
B03	100A 3P	100A 3P	B14
B04	100A 3P	100A 3P	B15
B05	200A 3P	150A 3P	B16
B06	150A 3P	SPACE	B17
B07	200A 3P	200A 3P	B18
B08	SPACE	SPACE	B19
B09	SPACE	SPACE	B20
B10	SPACE	SPACE	B21
B11	SPACE	SPACE	B21

EXISTING 800A, 120/208V, 3PH, 4W CDP 'B' LOCATED ON MEZZANINE FLOOR
USE EXISTING 100A, 3P CIRCUIT BREAKER FOR NEW SAND/SALT STORAGE BLDG. ELECTRICAL DISTRIBUTION



NOTES
1. EXACT DIMENSIONS OF CONCRETE PAD TO BE DETERMINED AT FINAL SHOP DRAWING APPROVAL.
2. CONDUITS TO EXTEND 1000 PAST THE EDGE OF THE CONCRETE FOUNDATION.

F **DISTRIBUTION / CONTROL ENCLOSURE PAD AND CONDUIT**
04 | 05 1:20

NOT IN CONTRACT FOR REFERENCE PURPOSES ONLY

BID OPPORTUNITY No. 9-2005
METRIC
WHOLE NUMBERS INDICATE MILLIMETRES
DECIMALIZED NUMBERS INDICATE METRES
APEGM
Certificate of Authorization
UMA Engineering Ltd.
No. 256 Expiry: April 30, 2005

UMA Engineering Ltd.
• Consulting • Engineering • Construction • Management Services

DESIGNED BY	SCK	CHECKED BY	BLM
DRAWN BY	SCK	APPROVED BY	[Signature]
2	RE-ISSUED FOR BID	05Feb01	DML
1	ISSUED FOR CONSTRUCTION	04Apr23	SCK
0	ISSUED FOR REVIEW	04Apr02	SCK
NO.	REVISIONS	DATE	BY

HOR. SCALE: AS SHOWN
VERTICAL: N/A
Y/M/D: 04/02/12

ENGINEER'S SEAL
PROVINCE OF MANITOBA
B.N. FEUER
Feb 1/05
REGISTERED PROFESSIONAL ENGINEER

THE CITY OF WINNIPEG
PUBLIC WORKS DEPARTMENT
ENGINEERING DIVISION

SAND/SALT STORAGE FACILITY
PUBLIC WORKS YARD
1539 WAVERLEY STREET

ELECTRICAL DETAILS

CITY DRAWING NUMBER 10
SHEET 10 OF 11
REV 2

CONSULTANT DRAWING NO. 41-09-0265-366-00

PLOT SCALE = 1:0.50
AutoCAD: 15.05 P:\0265\366-00\ALD\Sand Salt Facility 1539 Waverley.dwg Sand Salt Facility Site Plan.dwg 2004-02-13 09:50am DID