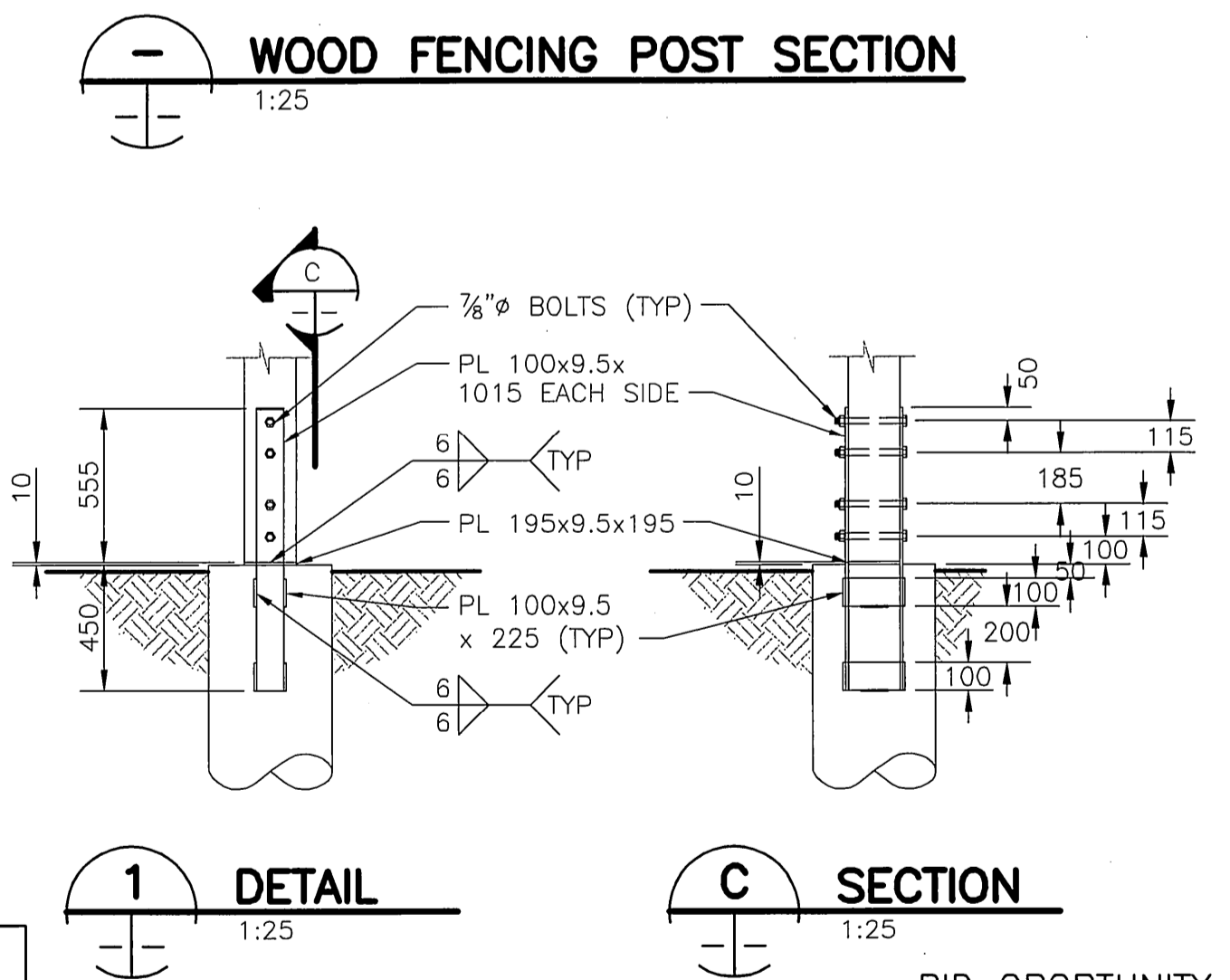
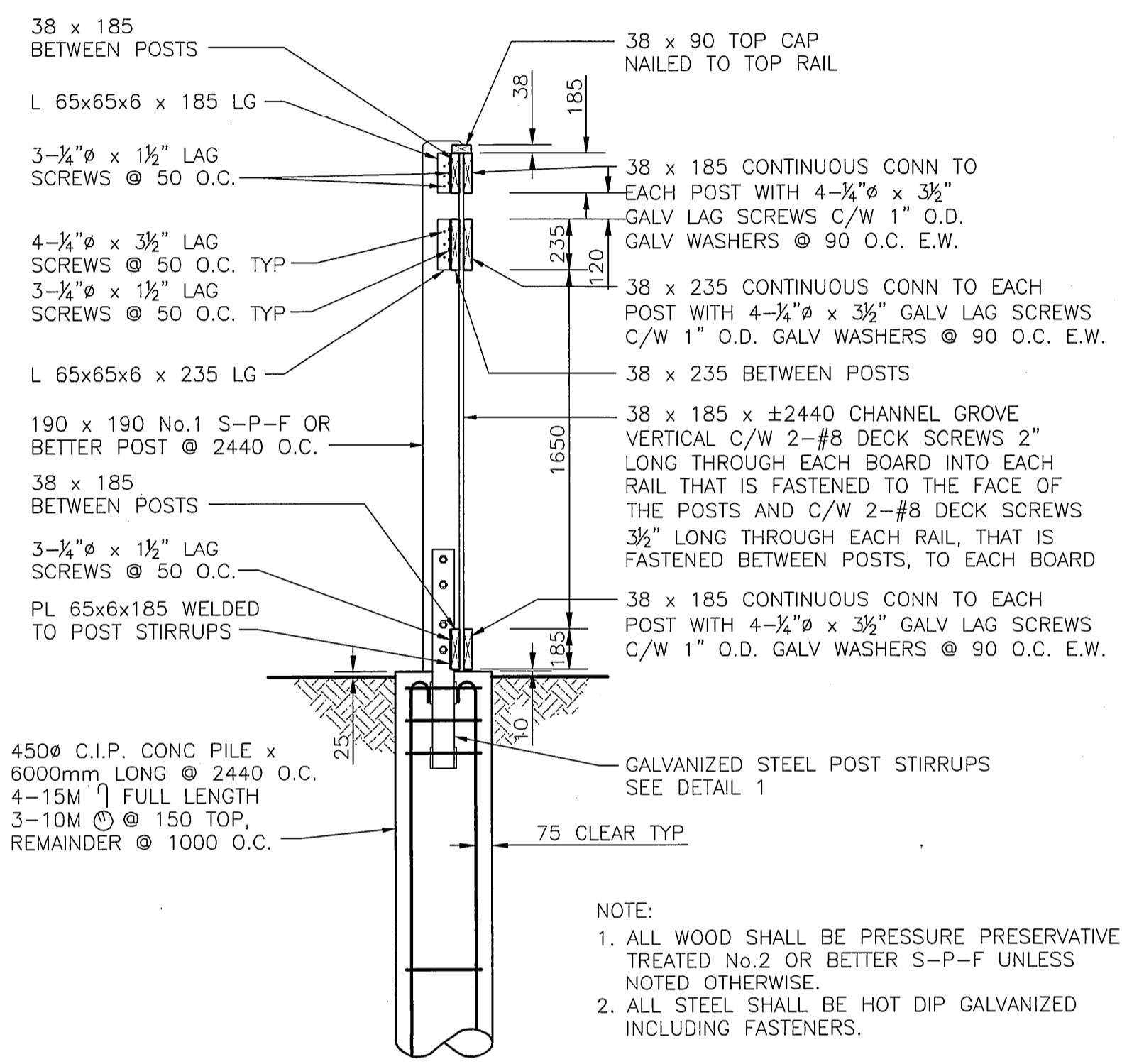
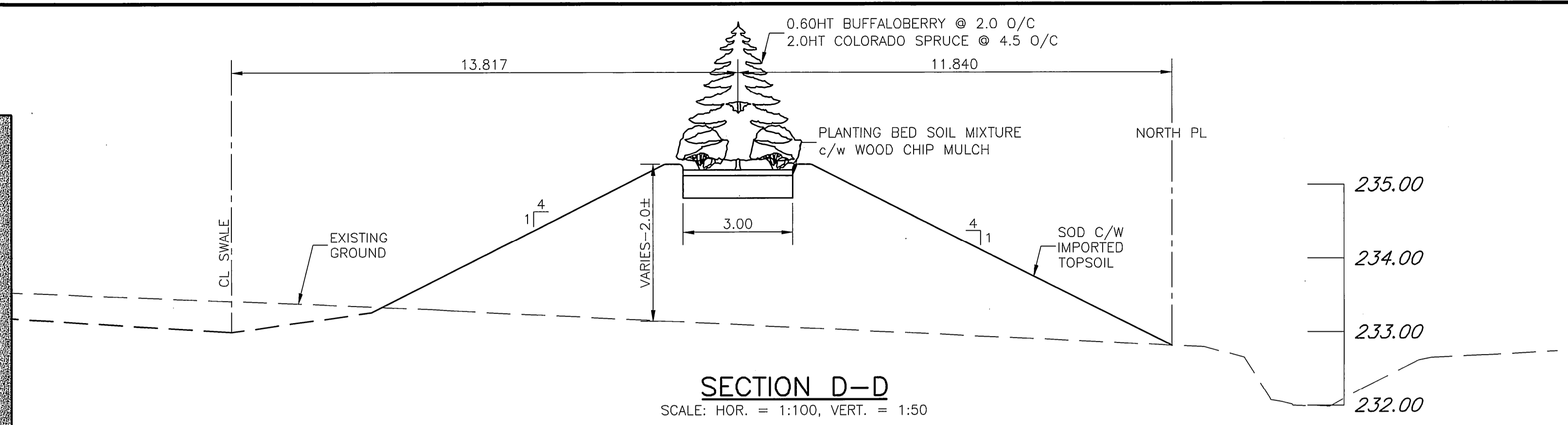
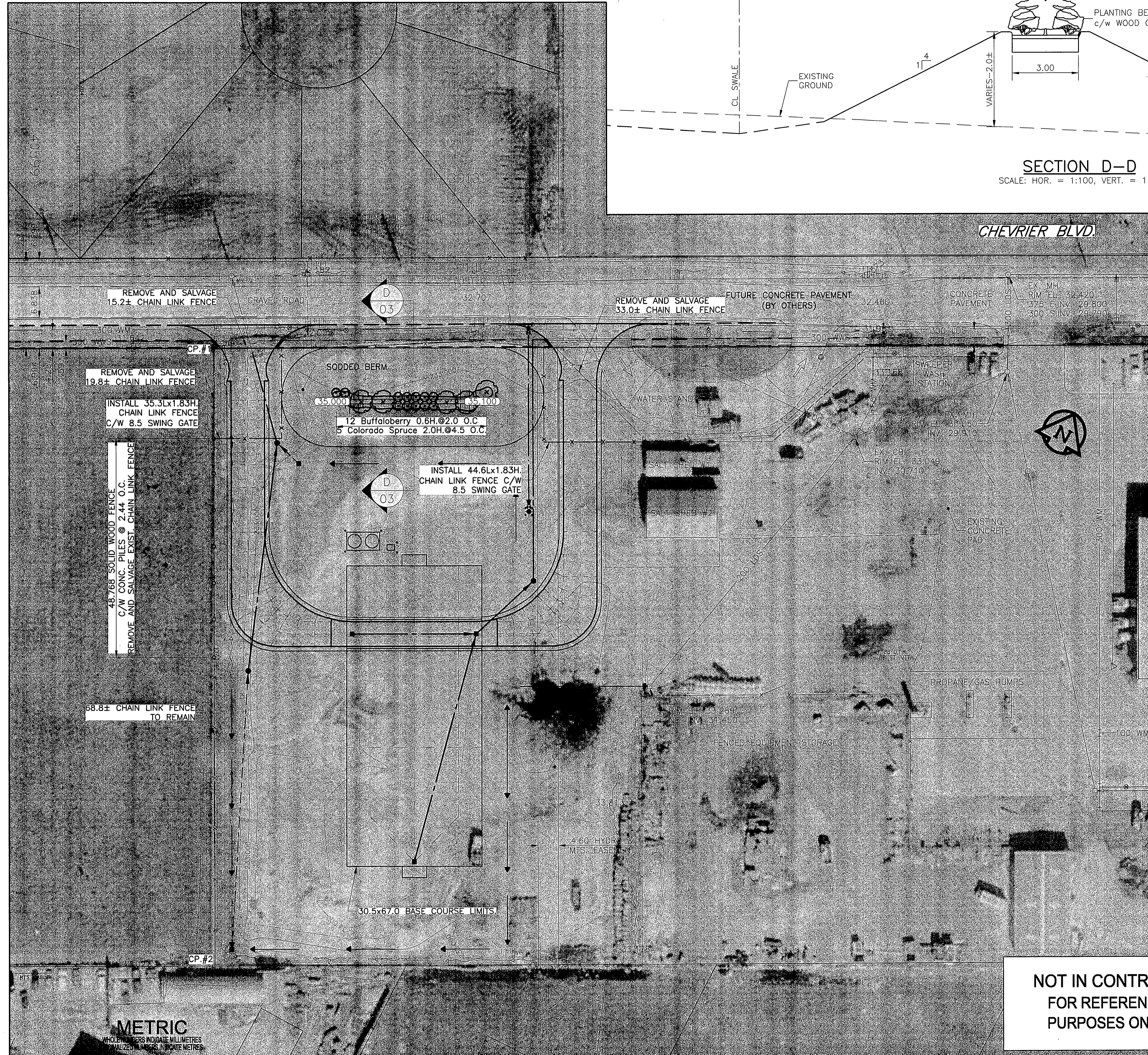


PLOT SCALE = 1:0.50
AutoCAD 15.05 P:\0265\366-00\ALD\Waverley\dwg\Sand Salt Facility Site Plan.dwg 2004-04-21 08:34am DID



**NOT IN CONTRACT
FOR REFERENCE
PURPOSES ONLY**

BID OPPORTUNITY No. 9-2005

APEGM
Certificate of Authorization
UMA Engineering Ltd.
No. 256 Expiry: April 30, 2005

CAS	○	MANHOLE	●	CONCRETE	■
MTS	□	CATCH BASIN/CATCH PIT	■	ASPHALT	■
HYDRO	△	C & G INLET W/BOX	▲	CONCRETE SIDEWALK	■
VIDEON	⊙	TREE	■	PAVING STONE	■
TRAFFIC SIGNALS	⊕	TEST HOLE	■	TOPSOIL & SOD	■
LAND DRAINAGE SEWER	—	PROPERTY LINE	—	BASE COURSE/GRAVEL	■
SANITARY/COMBINED SEWER	—	SURVEY BAR	—	RAMP CURB	■
CATCHBASIN LEAD	—	CHAIN LINK FENCE	-X-X-		
WATERMAIN	—	WOOD FENCE W/PILES	-O-O-		
SUBDRAIN	—	BACK OF CURB/PAVEMENT	—		
DITCH	←	ELEVATION	(33.100)		
EXISTING	—	LEGEND - PLAN	—		
PROPOSED	—	LEGEND - PLAN	—		

B.M. 75-004	S.W. crn. Waverley St. & Chevrier Blvd.		
ELEV. 233.501	10ft. in N. conc. found. #1539 Waverley		
	1.0m W. & 0.9m below brick of		
	N. E. corner of Building		
2	RE-ISSUED FOR BID	05Feb01	DML
1	ISSUED FOR CONSTRUCTION	04Apr23	DID
0	ISSUED FOR REVIEW	04Apr02	DID
NO.	REVISIONS	DATE	BY

UMA **UMA Engineering Ltd.**
• Consulting • Engineering • Construction • Management Services

DESIGNED BY: DKH
DRAWN BY: DID
HOR. SCALE: 1:500
VERTICAL: N/A
Y/M/D: 04/02/12

CHECKED BY: [Signature]
APPROVED BY: [Signature]
RELEASED FOR CONSTRUCTION

ENGINEER'S SEAL
the Manitoba Association of Professional Engineers
Feb 7 2005
DONALD K. HESTER
member no. 32

THE CITY OF WINNIPEG
PUBLIC WORKS DEPARTMENT
ENGINEERING DIVISION

SAND and SALT STORAGE FACILITY
at 1539 WAVERLEY STREET
YARD WORKS

LANDSCAPE PLAN
FENCING & TREE PLANTING LAYOUT, & SECTIONS

CITY DRAWING NUMBER 08
SHEET 08 OF 11
REV 08
2

CONSULTANT DRAWING NO. 41-0103-0265-366-00