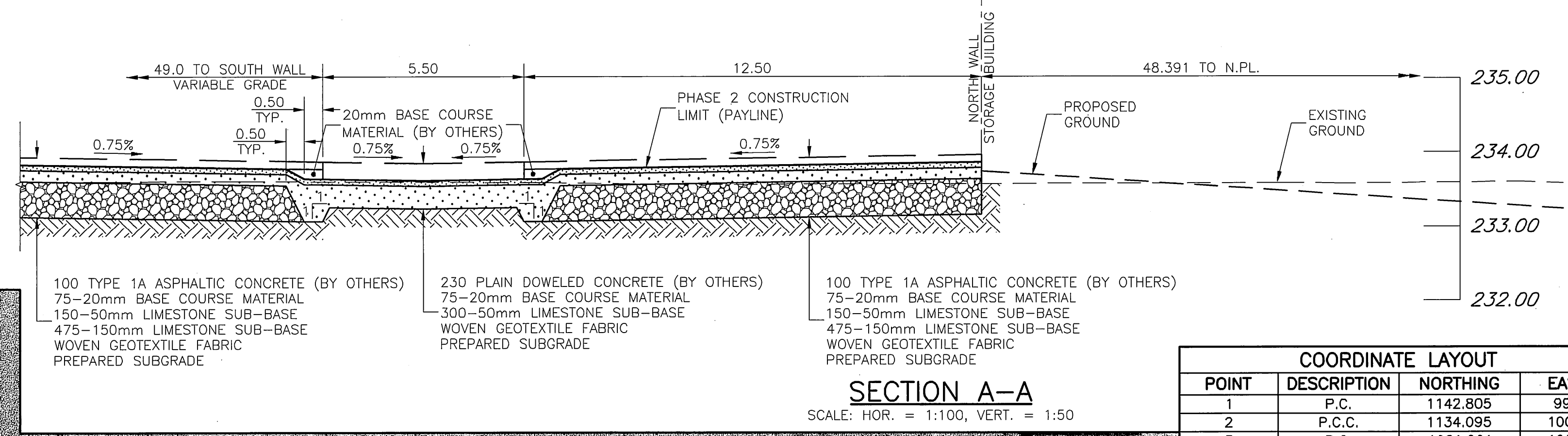


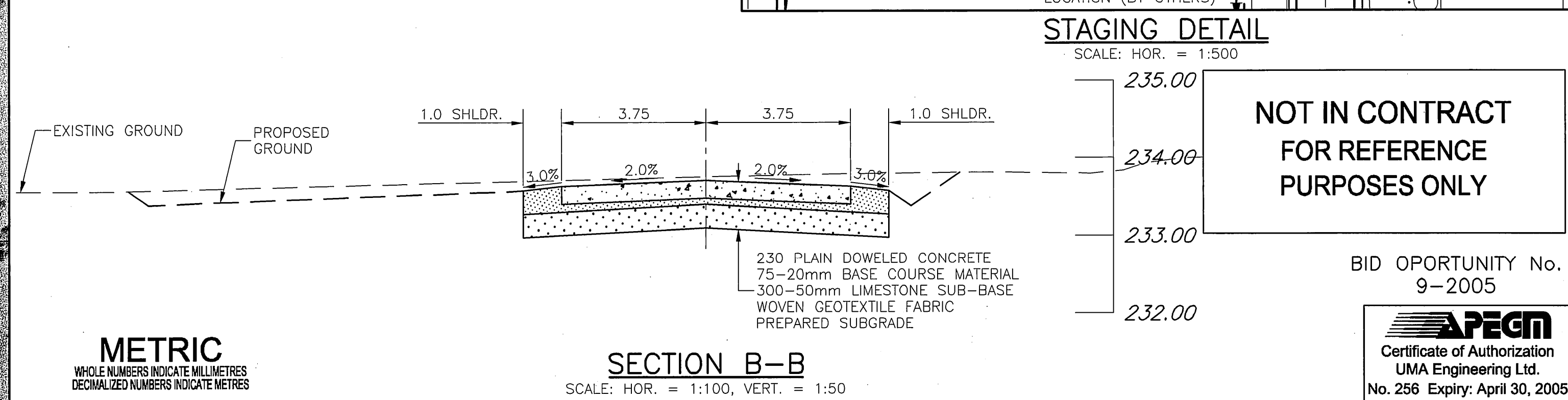
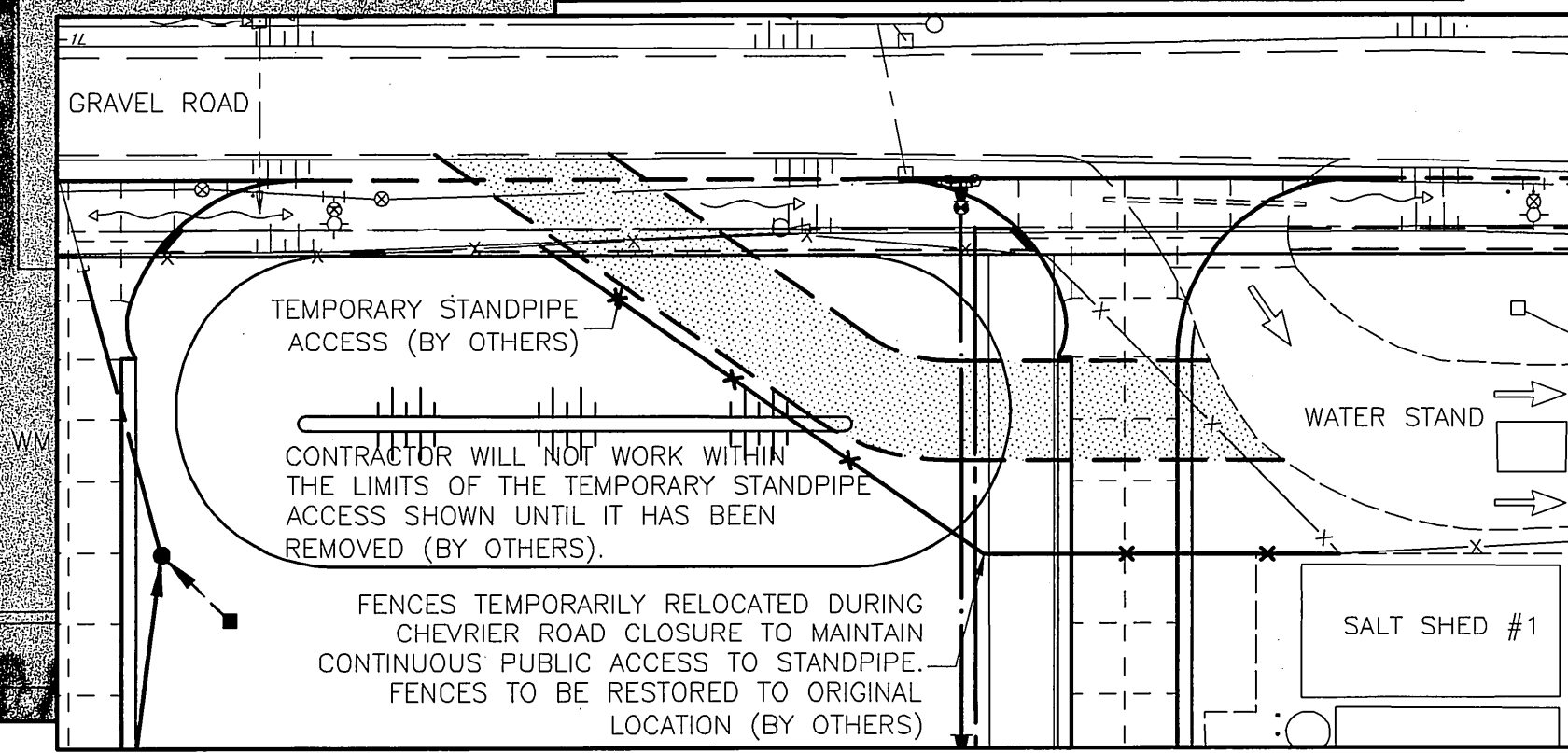
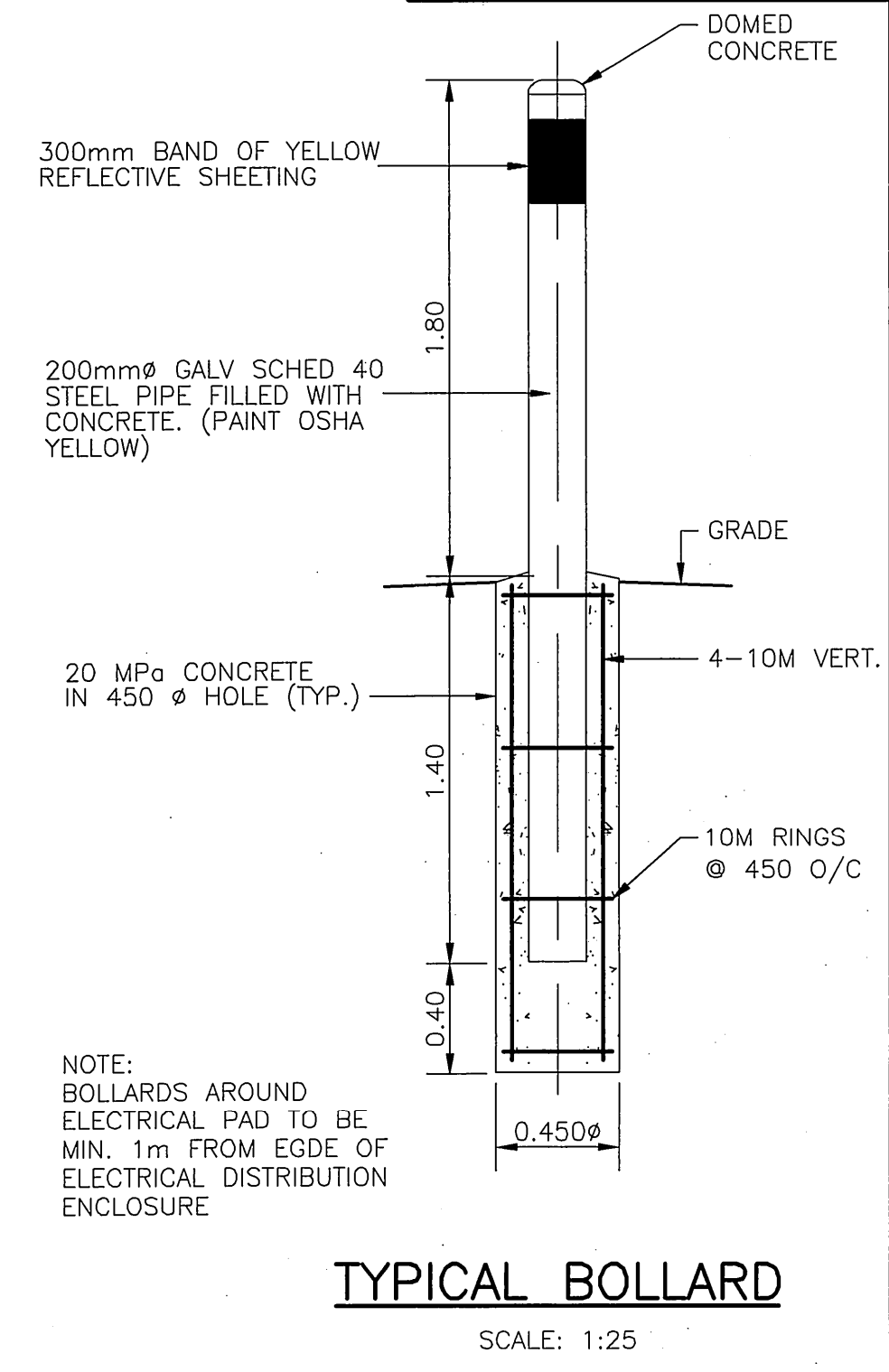
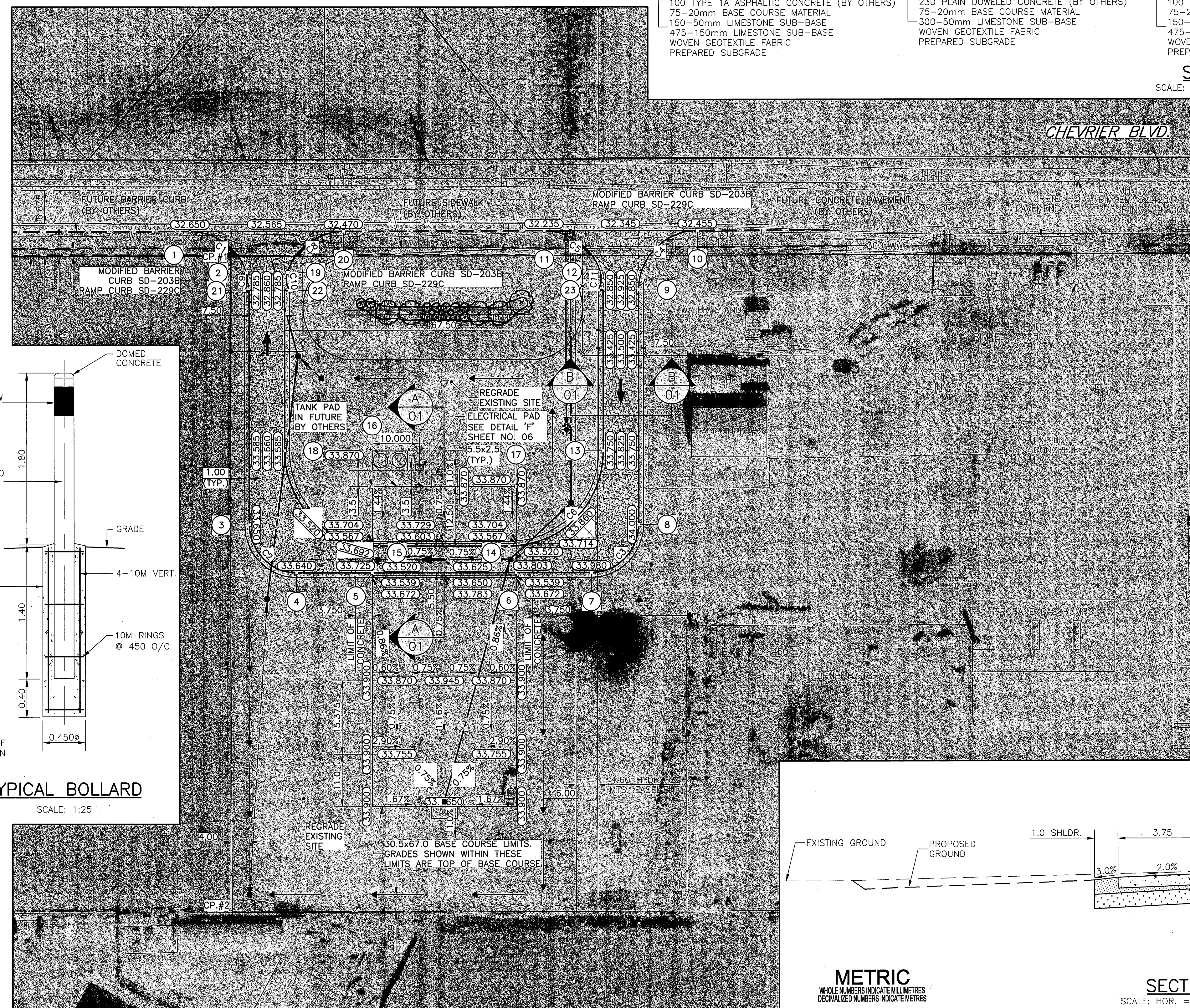
SURVEY BAR HORIZONTAL CONTROL POINTS—PROJECT COORDINATES					NAD83 DATUM		
CONTROL POINT	LOCATION	NORTHING	EASTING	ELEVATION	NORTHING	EASTING	ELEVATION
#1	P.I. OF N.P.L. & W.L.L. #1539 WAVERLEY ST.	1137.551	1000.000	232.610	5520231.233	630514.249	-
#2	P.I. OF W.L.L. & S.L.L. #1539 WAVERLEY ST.	1000.000	1000.000	232.761	5520111.053	630580.695	-

NOTE: THE PROJECT DRAWINGS HAVE AN APPLIED SCALE FACTOR OF 1.0016 TO LBIS INFORMATION TO MATCH LOCAL PROJECT COORDINATES



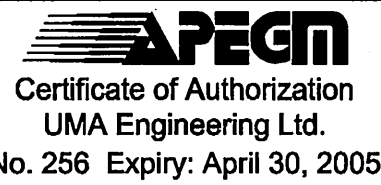
COORDINATE LAYOUT			
POINT	DESCRIPTION	NORTHING	EASTING
1	P.C.	1142.805	991.471
2	P.C.C.	1134.095	1003.396
3	P.C.	1081.201	1003.985
4	P.T.	1071.201	1013.985
5	P.O.T.	1071.201	1029.985
6	P.O.T.	1071.201	1060.485
7	P.C.	1071.201	1076.485
8	P.T.	1081.201	1086.485
9	P.C.	1130.421	1086.485
10	P.O.T.	1142.921	1098.971
11	P.C.	1142.886	1066.471
12	P.C.C.	1134.176	1078.396
13	P.C.	1096.701	1078.985
14	P.T.	1076.701	1058.985
15	P.C.	1076.701	1031.485
16	P.I.	1089.201	1029.985
17	P.I.	1089.201	1060.485
18	P.T.	1096.701	1011.485
19	P.C.C.	1134.131	1012.073
20	P.O.T.	1142.841	1023.968
21	P.C.	1130.305	1002.985
22	P.C.	1130.341	1012.485
23	P.C.	1130.386	1077.985

CURVE TABLE				
CURVE	LENGTH	RADIUS	DELTA	TANGENT
C1	15.798	12.500	72°24'52"	9.151
C2	15.708	10.000	90°00'00"	10.000
C3	15.708	10.000	90°00'00"	10.000
C4	19.621	12.500	89°56'18"	12.487
C5	15.798	12.500	72°24'52"	9.151
C6	31.416	20.000	90°00'00"	20.000
C7	31.416	20.000	90°00'00"	20.000
C8	15.768	12.500	72°16'38"	9.128
C9	3.911	5.000	44°48'49"	2.062
C10	3.911	5.000	44°48'49"	2.062
C11	3.911	5.000	44°48'49"	2.062



NOT IN CONTRACT FOR REFERENCE PURPOSES ONLY

BID OPPORTUNITY No. 9-2005



THE CITY OF WINNIPEG
PUBLIC WORKS DEPARTMENT
ENGINEERING DIVISION

SAND and SALT STORAGE FACILITY
at 1539 WAVERLEY STREET
YARD WORKS

CITY DRAWING NUMBER 06
SHEET 06 OF 11
REV 2

PAVEMENT PLAN
HORIZONTAL LAYOUT, GRADES & SECTIONS

UMA Engineering Ltd.
Consulting • Engineering • Construction • Management Services

DESIGNED BY: JGK
DRAWN BY: DID
HOR. SCALE: 1:500
VERTICAL: N/A
YY/MM/DD: 04/02/12

CHECKED BY: [Signature]
APPROVED BY: [Signature]
RELEASED FOR CONSTRUCTION
DATE

ENGINEER'S SEAL
PROVINCE OF MANITOBA
REGISTERED PROFESSIONAL ENGINEER
A. NAGY
Feb 13, 2005
CONSULTANT DRAWING NO. 41-0103-0265-366-00

LEGEND	PLAN	PROPOSED	EXISTING	LEGEND	PLAN	PROPOSED	EXISTING	LEGEND	PLAN	PROPOSED	EXISTING
GAS	○	MANHOLE	●	CONCRETE	■	B.M. 75-004	S.W. cor. Waverley St. & Chevrier Blvd.	UMA	UMA Engineering Ltd.	ENGINEER'S SEAL	PROVINCE OF MANITOBA
MTS	□	CATCH BASIN/CATCH PIT	■	ASPHALT	■	Tbitt. in N. conc. found #1539 Waverley	1.0m W. & 0.9m below brick of	DESIGNED BY	JGK	CHECKED BY	[Signature]
HYDRO	△	C & G INLET W/BOX	▲	CONCRETE SIDEWALK	■	ELEV. 233.501	N. E. corner of Building	DRAWN BY	DID	APPROVED BY	[Signature]
VIDEON	○	TREE	○	PAVING STONE	■			RE-ISSUED FOR BID	05Feb01	DML	
TRAFFIC SIGNALS	⊕	TEST HOLE	○	TOPSOIL & SOD	■			ISSUED FOR CONSTRUCTION	04Apr23	DID	
LAND DRAINAGE SEWER	—	PROPERTY LINE	—	BASE COURSE/GRAVEL	■			ISSUED FOR REVIEW	04Apr02	DID	
SANITARY/COMBINED SEWER	—	SURVEY BAR	—	RAMP CURB	■						
CATCHBASIN LEAD	—	FENCE	—								
WATERMAIN	—	BACK OF CURB/PAVEMENT	—								
SUBDRAIN	—	ELEVATION	(33.100)								
DITCH	—										

PLOT SCALE = 1:0.50
AutoCAD 15.05 P:\0265\366-00\ALD\Waverley.dwg Sand Salt Facility Site Plan.dwg 2004-04-21 08:34am DID