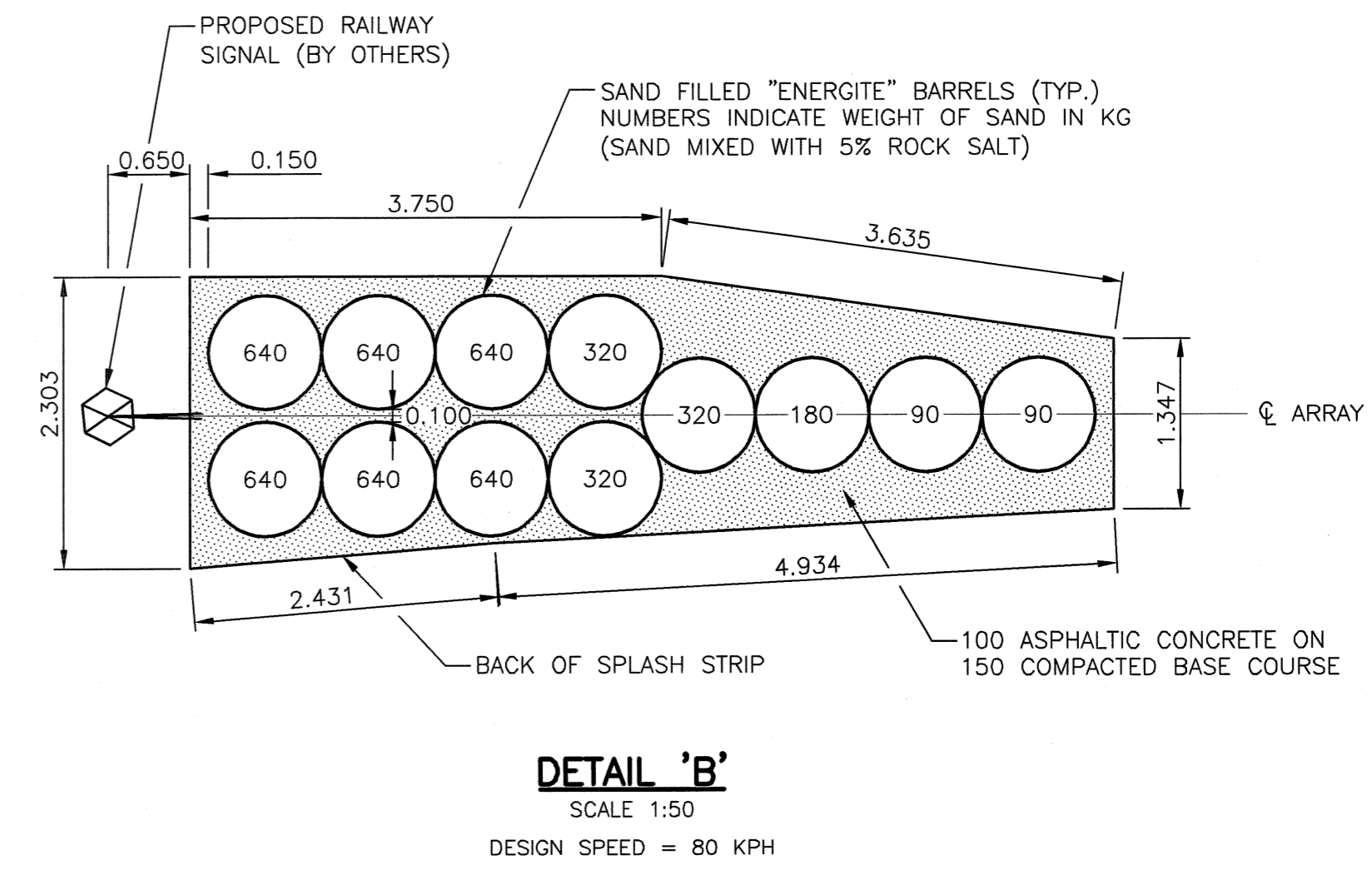
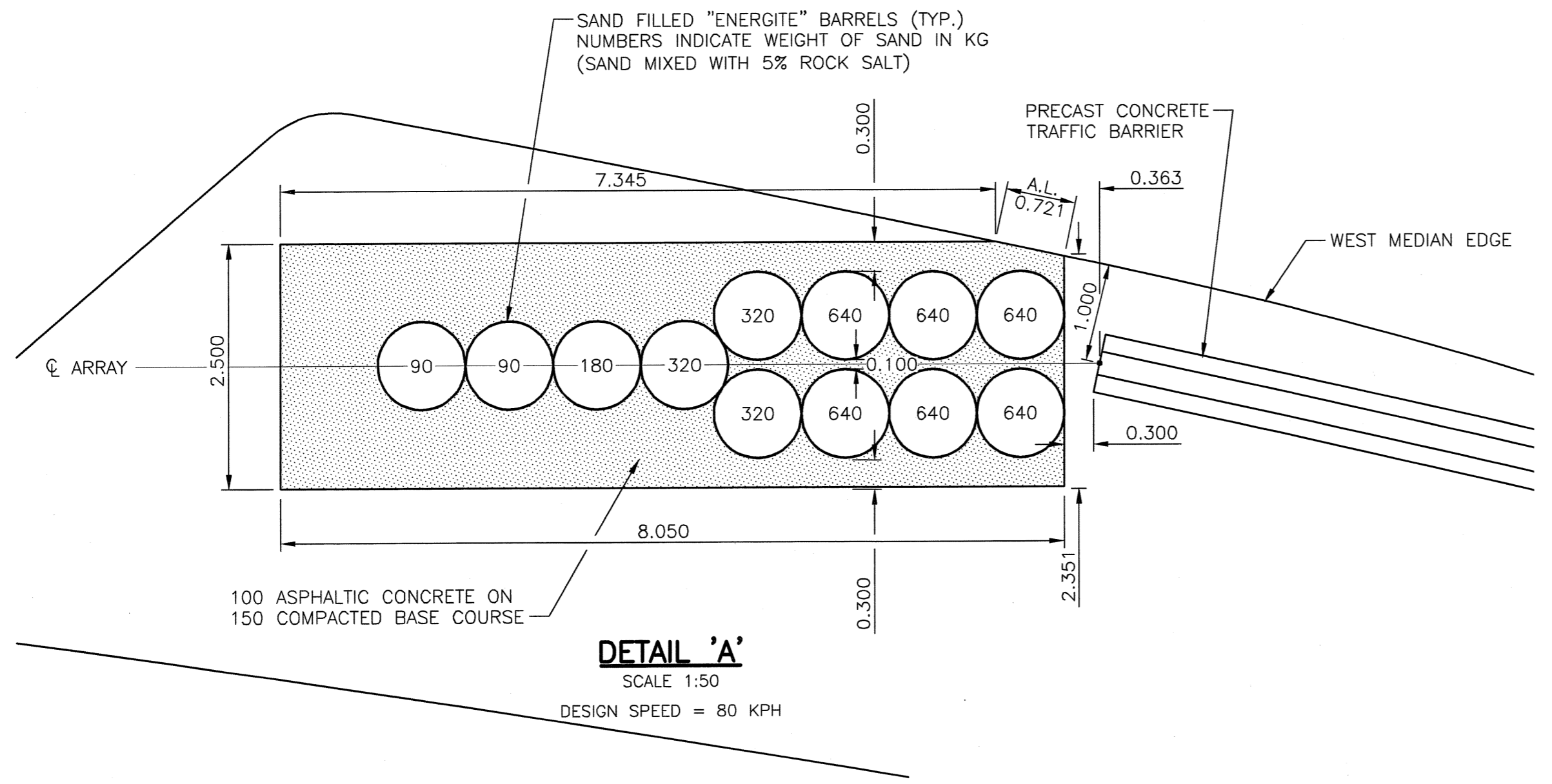
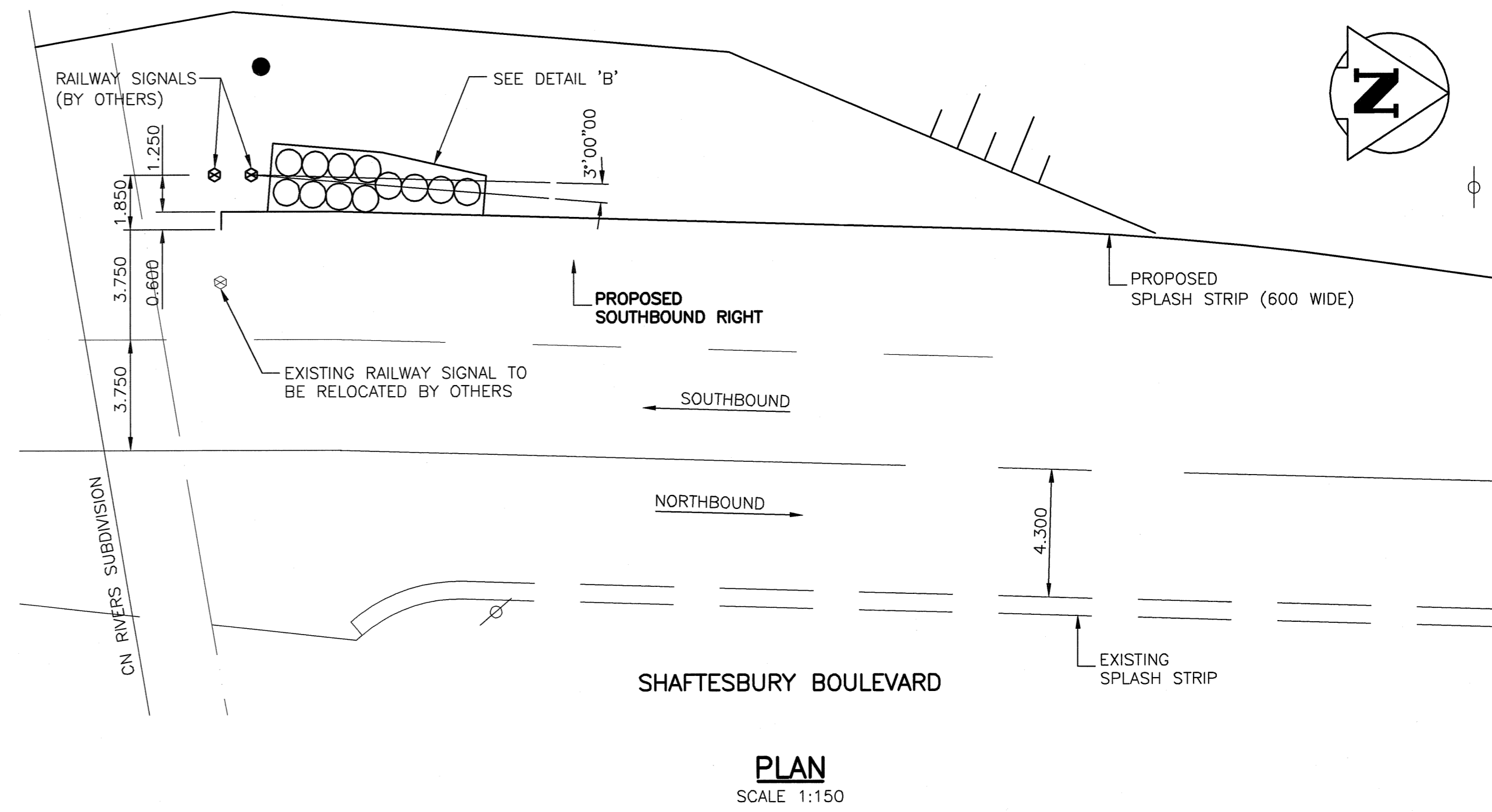
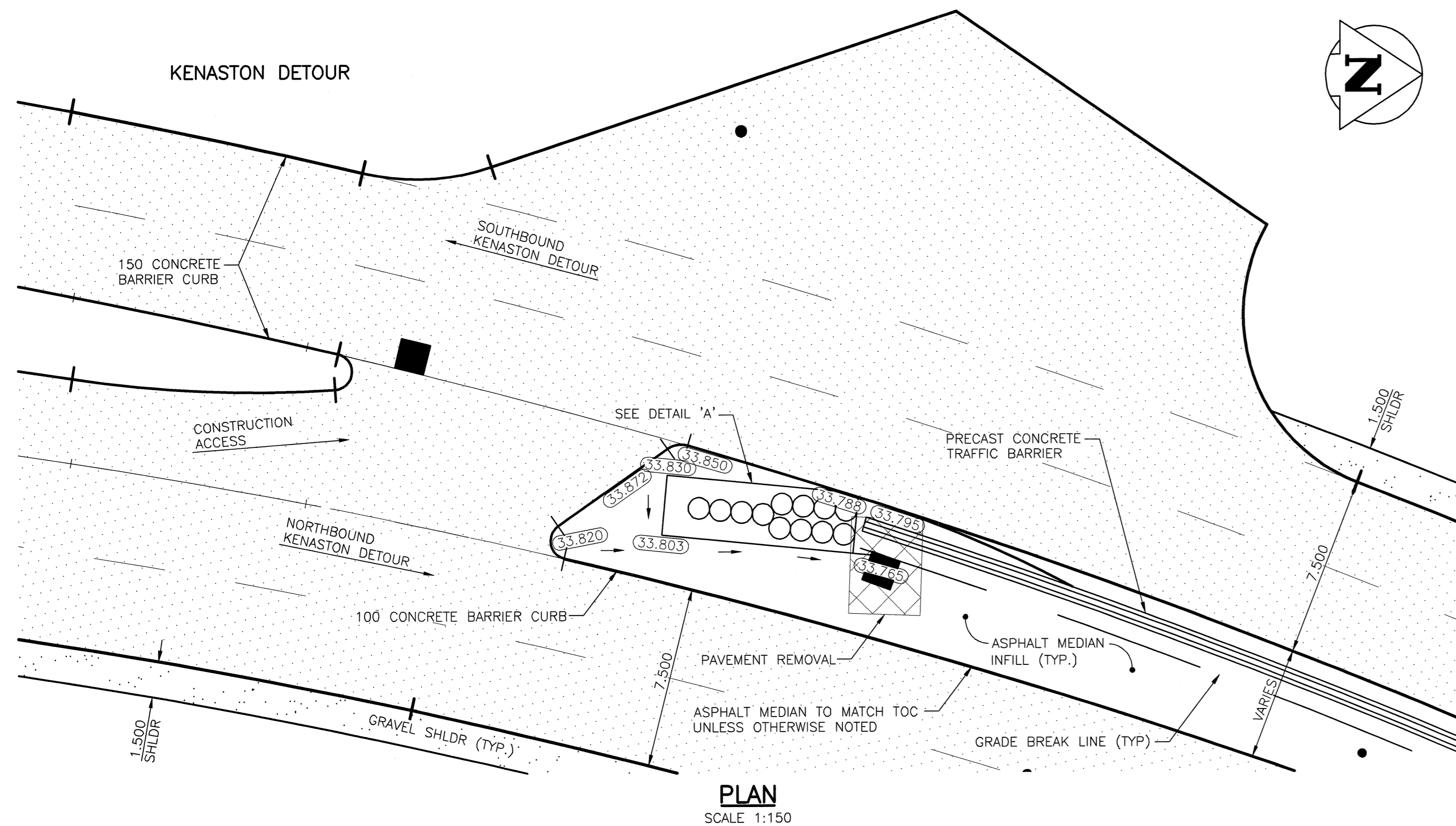


A1 SIZE 23.4" x 33.1" (594mm x 841mm)

PLOT: 05/04/12 9:43:09 AM

UMA FILE NAME: 4231-040-01-01-CT4005\_RX.dwg Saved By: dtdosp2p



**METRIC**

WHOLE NUMBERS INDICATE MILLIMETRES  
DECIMALIZED NUMBERS INDICATE METRES

**WARNING**

IF POWER EQUIPMENT OR EXPLOSIVES ARE TO BE USED FOR EXCAVATION ON THIS PROJECT THE CONTRACTOR MUST:  
1) NOTIFY THE GAS COMPANY OF THE PROPOSED LOCATION OF EXCAVATION.  
2) TAKE PRECAUTION TO AVOID DAMAGE TO GAS COMPANY INSTALLATIONS.  
SEE PROVINCIAL REGULATION 140/92 FOR DETAILS

○	MANHOLE	●	CONCRETE PAVEMENT
□	CATCH BASIN/CATCH PIT	■	CONC. SIDEWALK/MEDIAN
△	C & G INLET WITH BOX	▲	ASPHALT PAVEMENT
⊙	TREE	▬	ASPHALT APPROACH
⊕	TEST HOLE	▬	ASPHALT SHOULDER
⊖	PROPERTY LINE	▬	GRAVEL SHOULDER
⊗	SURVEY BAR	▬	RAMP CURB
⊘	GEODETIC MONUMENT	▬	REMOVAL
⊙	FENCE	+	SIGN
⊖	B.O.CURB/E.O.PAVEMENT	•	POLE
⊖	ELEVATION (33.000)	⊙	RAIL SIGNALS/SIGNS
⊖	LEGEND - PLAN	⊙	NEW

<b>LOCATION APPROVED UNDERGROUND STRUCTURES</b>		B.M. GBM67-001 ELEV. 234.148	
SUPV. U/G STRUCTURES COMMITTEE	DATE		
NOTE: LOCATION OF UNDERGROUND STRUCTURES AS SHOWN ARE BASED ON THE BEST INFORMATION AVAILABLE BUT NO GUARANTEE IS GIVEN THAT ALL EXISTING UTILITIES ARE SHOWN OR THAT THE GIVEN LOCATIONS ARE EXACT. CONFIRMATION OF EXISTENCE AND EXACT LOCATION OF ALL SERVICES MUST BE OBTAINED FROM THE INDIVIDUAL UTILITIES BEFORE PROCEEDING WITH CONSTRUCTION.			
NO.	REVISIONS	DATE	BY
0	ISSUED FOR CONSTRUCTION	05/04/19	DL
A	ISSUED FOR CLIENT REVIEW	05/02/28	DL

**UMA**  
An AECOM Company

2005 UMA ENGINEERING LTD. ALL RIGHTS RESERVED.

DESIGNED BY	JGK	CHECKED BY	<i>[Signature]</i>
DRAWN BY	DID,DL	APPROVED BY	<i>[Signature]</i>
AUTHORIZED BY:	DATE		
R. FINGAS P.ENG.	05-04-19		
BRIDGE PROJECTS ENGINEER			

HOR. SCALE: AS SHOWN  
VERTICAL: N/A

DATE 05/04/19

ENGINEER'S SEAL

PROVINCE OF MANITOBA

J.G. KENNEDY  
Member  
22326  
APR. 19/05  
REGISTERED PROFESSIONAL ENGINEER

CONSULTANT DRAWING NO.  
4231-040-01-52

**THE CITY OF WINNIPEG**  
PUBLIC WORKS DEPARTMENT  
ENGINEERING DIVISION

**Winnipeg**

**KENASTON UNDERPASS PROJECT**  
STERLING LYON PARKWAY AND  
KENASTON BOULEVARD ROAD DETOUR

ENERGITE BARRELS  
PLAN AND DETAILS

SHEET 52 OF 61  
CAD FILE DRAWING NUMBER 01-CT4005\_RX  
CITY DRAWING NUMBER P-3258-112

BID OPPORTUNITY No. 84-2005  
Certificate of Authorization UMA Engineering Ltd. No. 256 Expiry: April 30, 2005