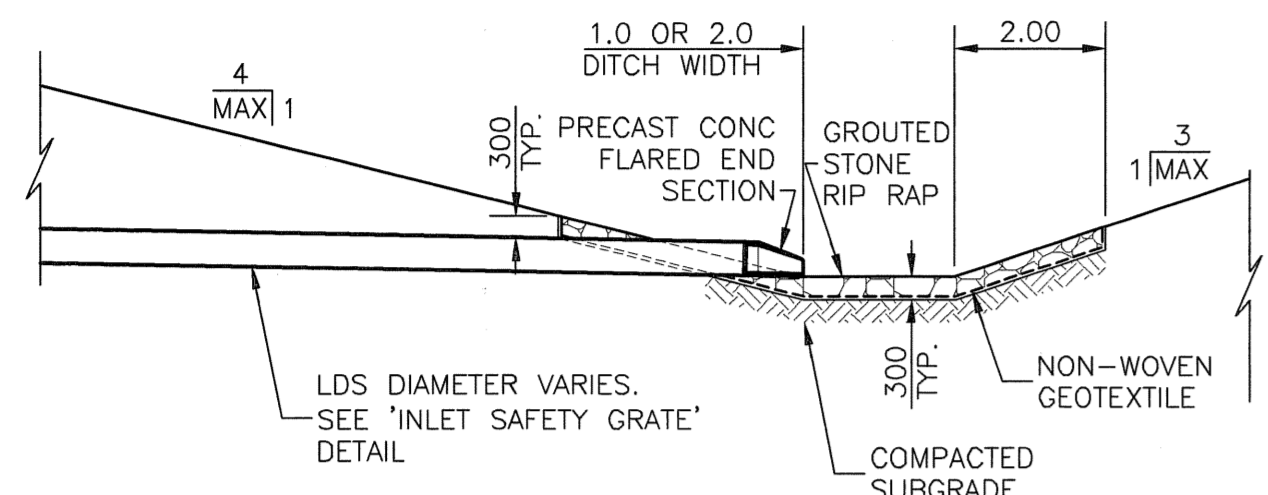


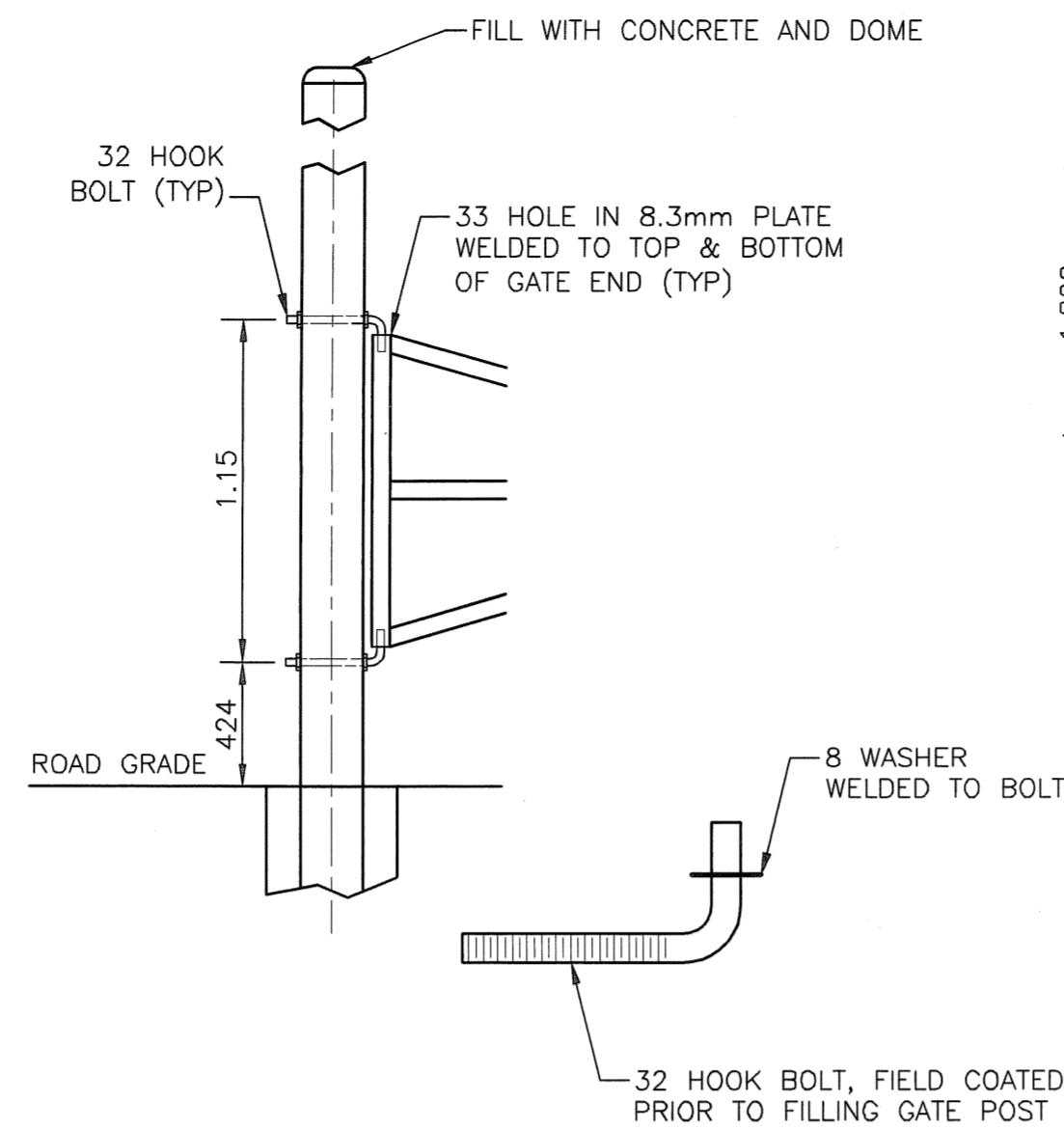
PLAN VIEW



SECTION VIEW

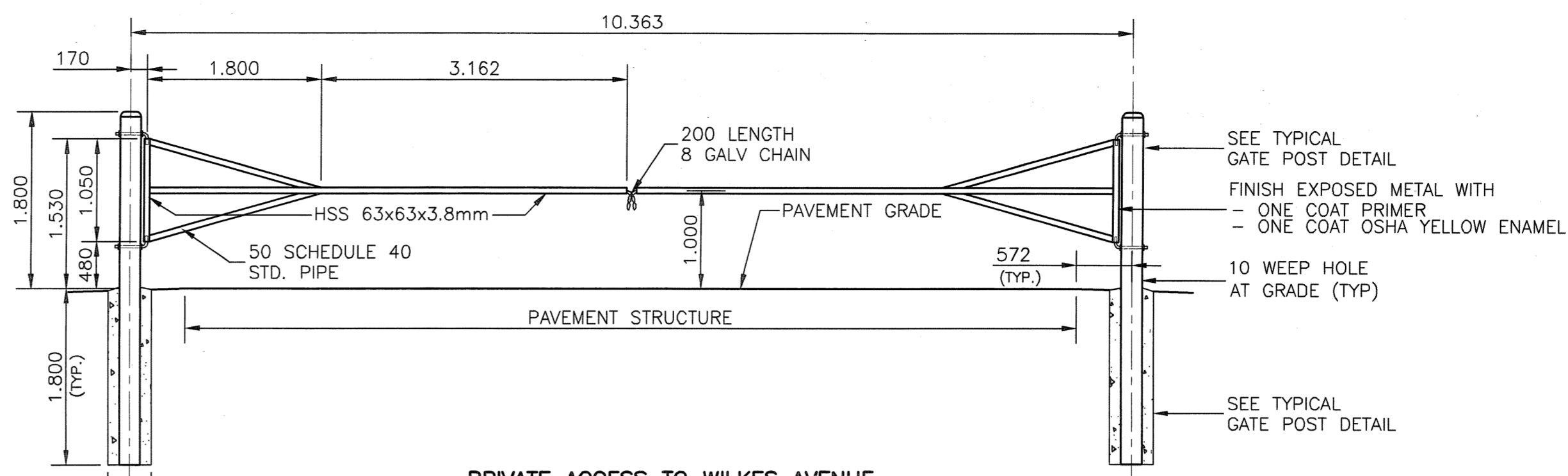
TYPICAL RIP RAP @ LDS INLET/OUTLET

SCALE: 1:100



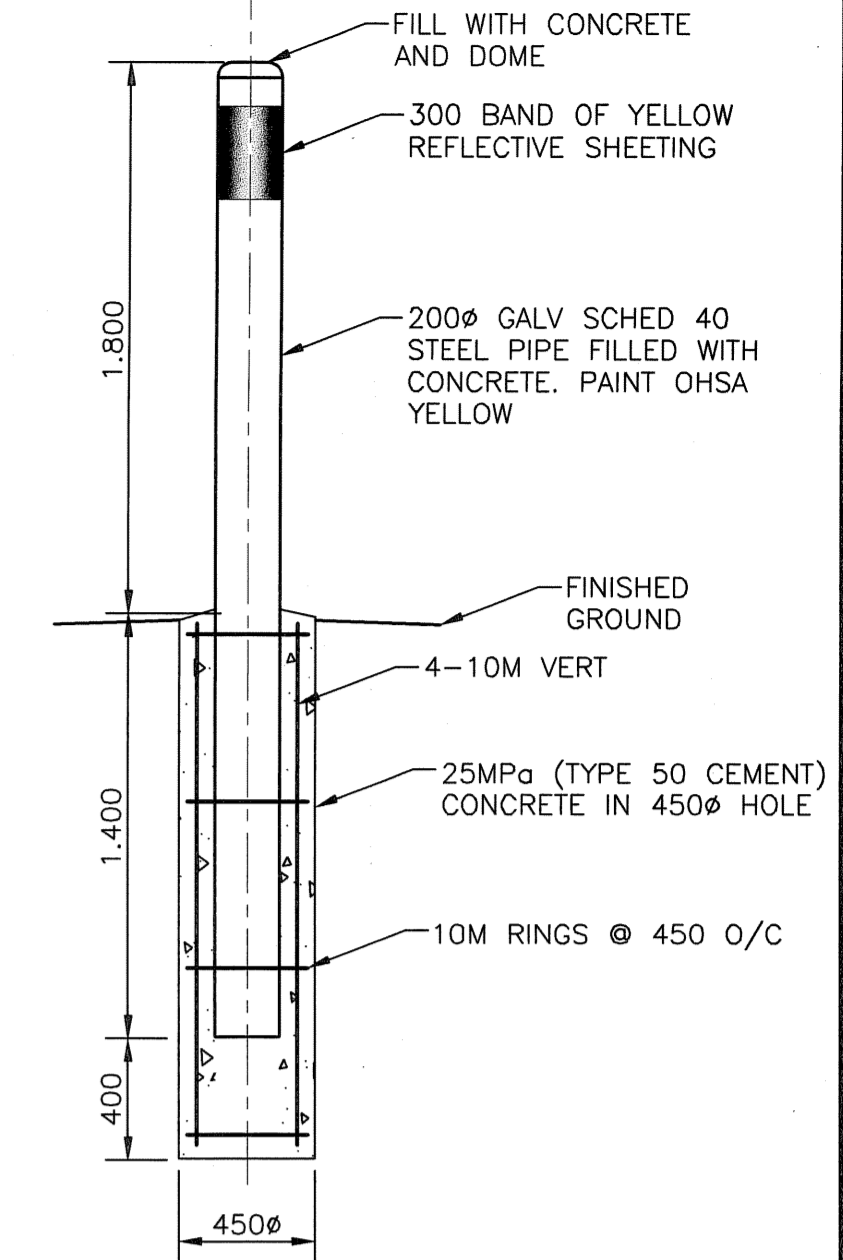
GATE END

SCALE: 1:25



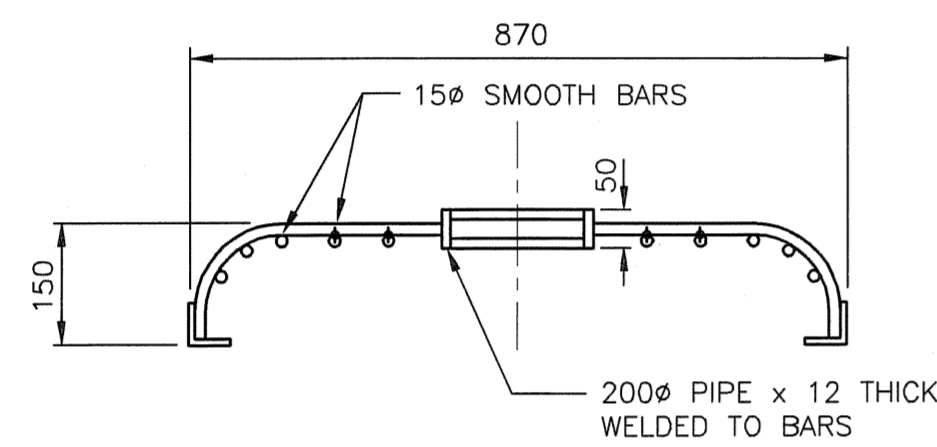
**PRIVATE ACCESS TO WILKES AVENUE
ACCESS GATE @ 0+955 SLP**

SCALE: 1:50



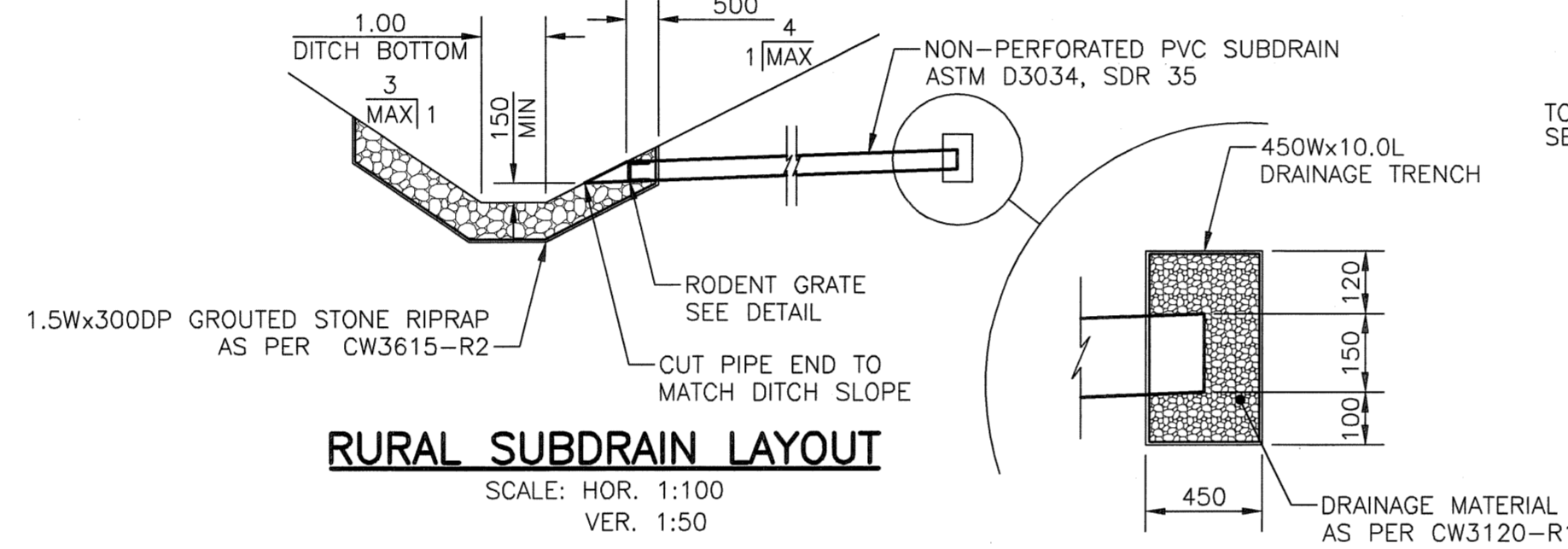
TYPICAL GATE POST

SCALE: 1:25



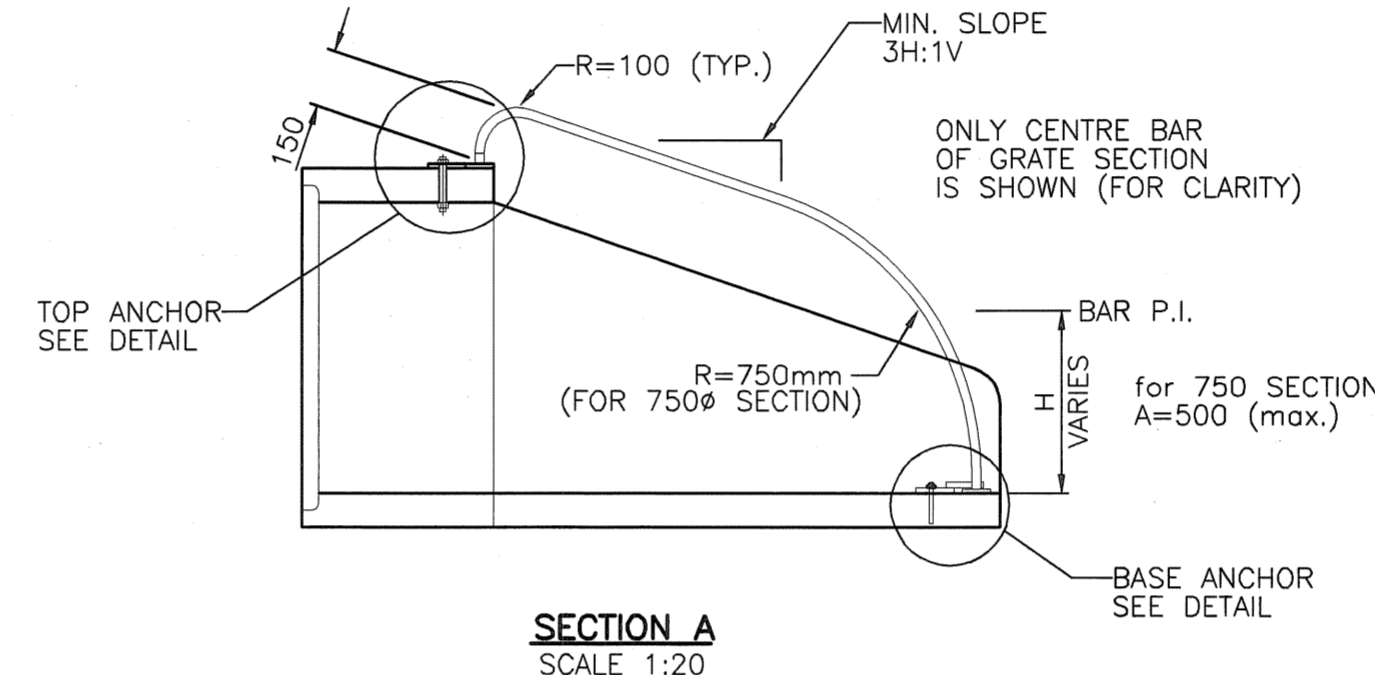
SECTION 'A-A'

SCALE 1:10



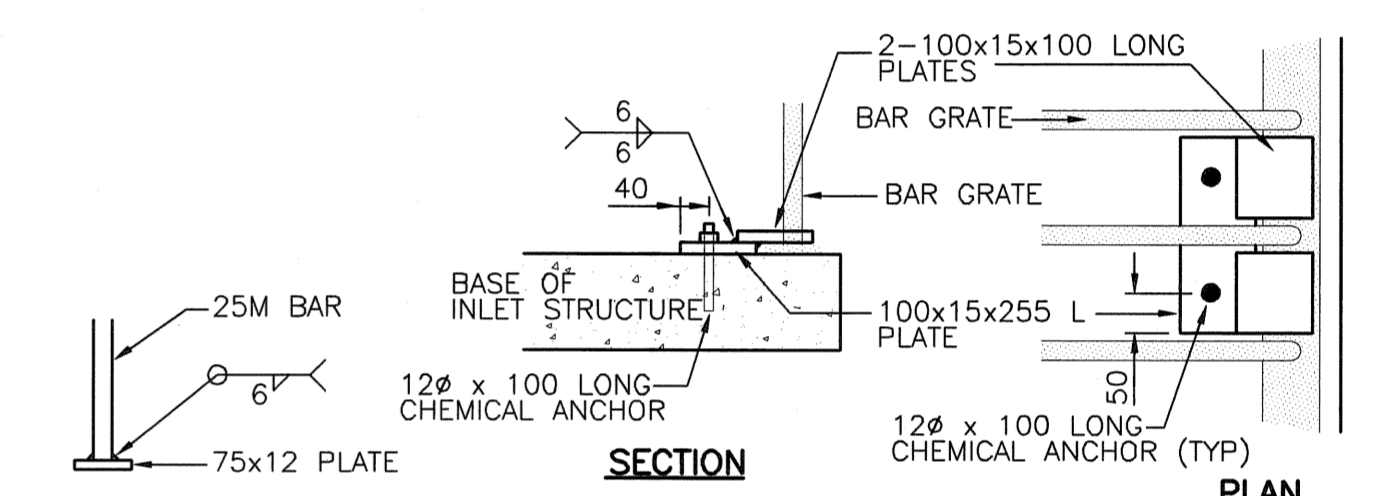
RURAL SUBDRAIN LAYOUT

SCALE: HOR. 1:100
VER. 1:50



SECTION A

SCALE 1:20

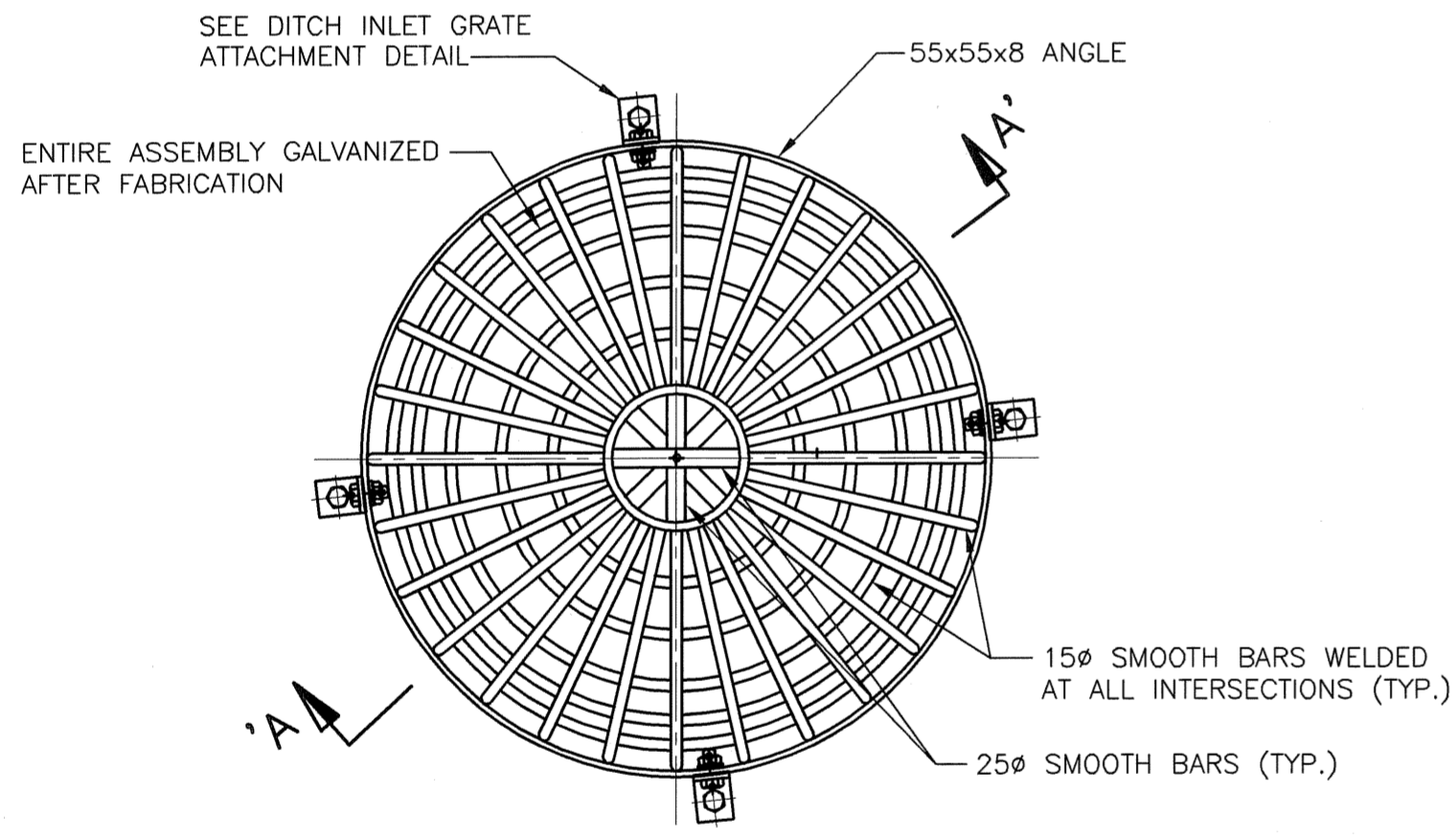


TYP BAR CONNECTION

N.T.S.

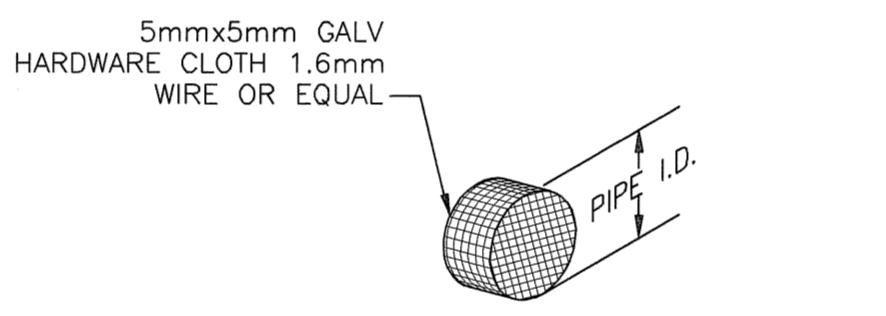
BASE ANCHOR DETAIL

N.T.S.



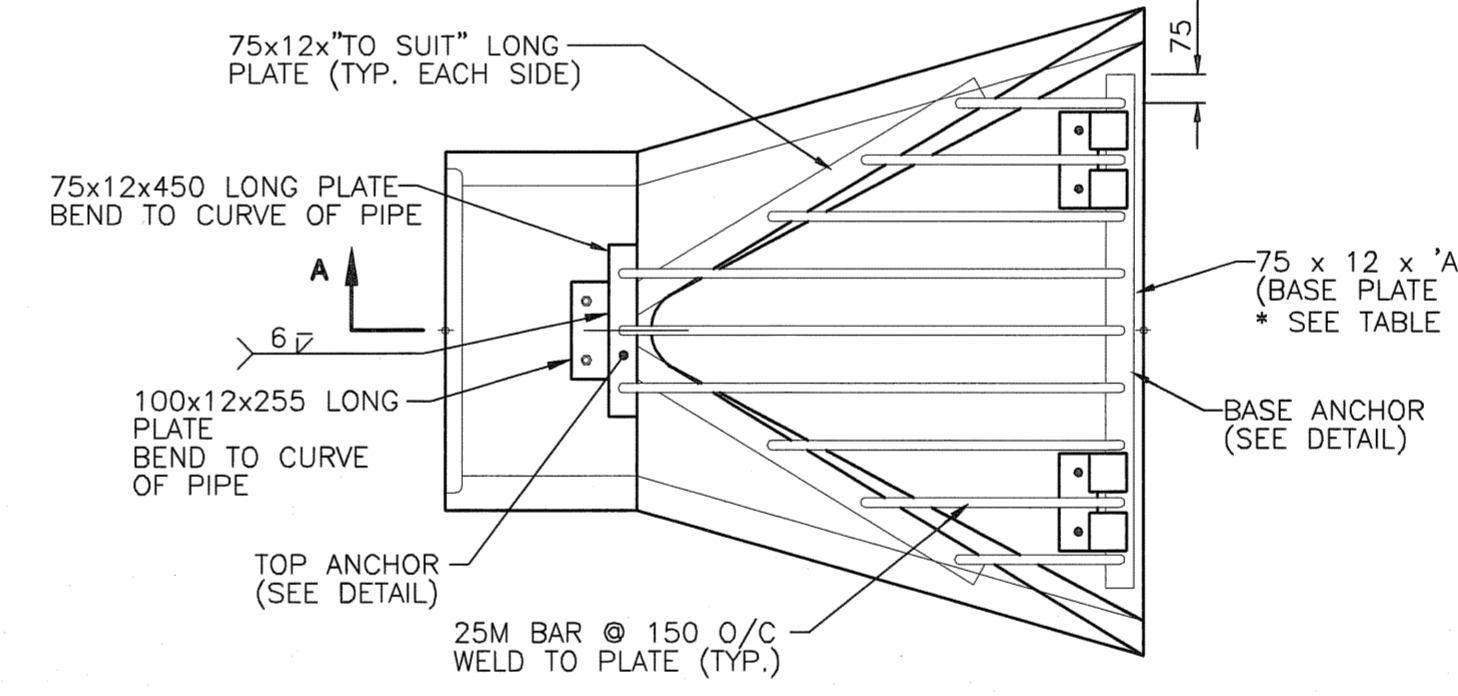
DITCH INLET GRATE

SCALE: AS SHOWN
3.000 SQ.



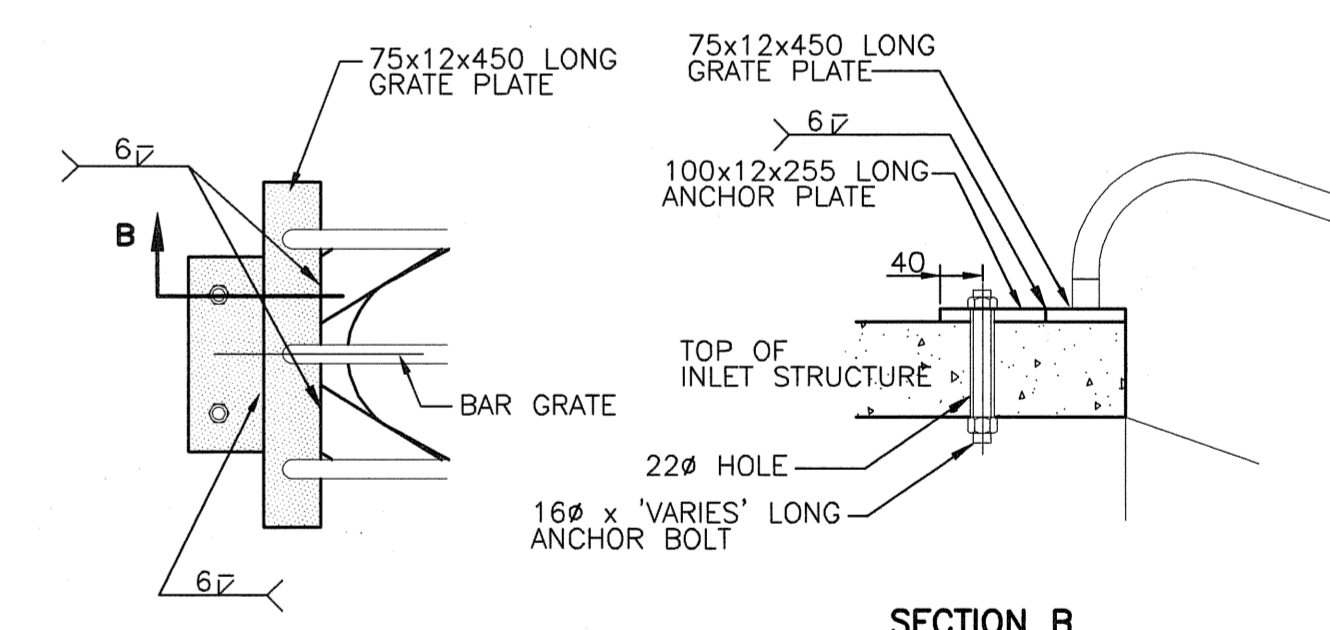
RODENT GRATE SCREEN

SCALE: N.T.S.



TOP VIEW

SCALE 1:20



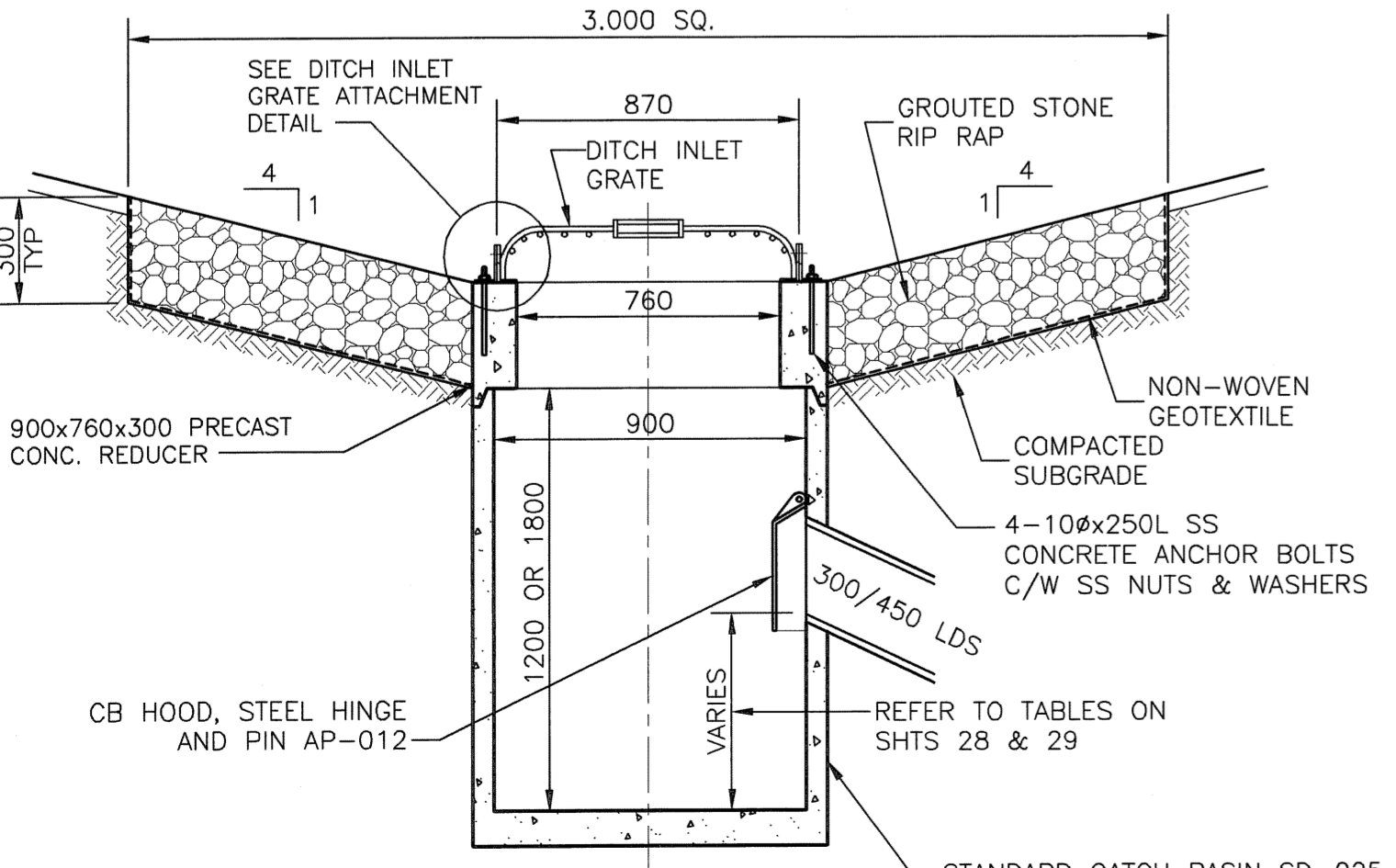
SECTION B

N.T.S.

DIAMETER OF PIPE	LENGTH OF PLATE 'A'
450Ø	750
600Ø	1050
750Ø	1350
900Ø	1650

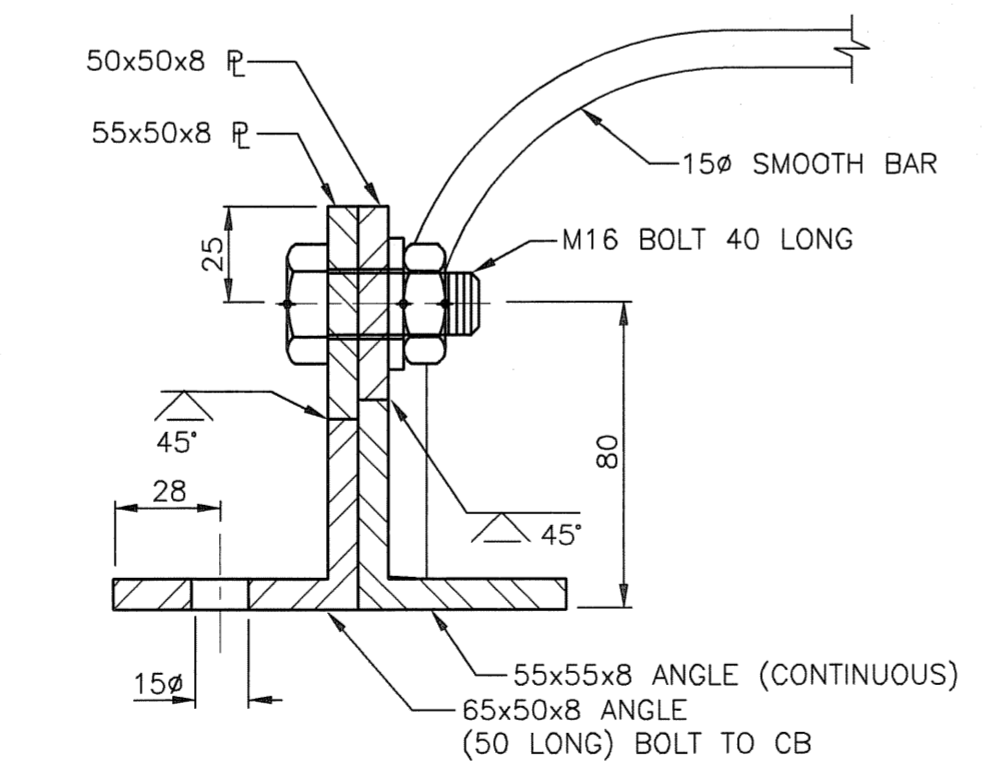
**(750Ø SHOWN)
INLET SAFETY GRATE FOR VARIOUS
PRECAST CONCRETE FLARED END SECTIONS**

SCALE: AS SHOWN



DITCH CATCHBASIN

SCALE: 1:20



DITCH INLET GRATE ATTACHMENT

SCALE: N.T.S.

METRIC
WHOLE NUMBERS INDICATE MILLIMETRES
DECIMALIZED NUMBERS INDICATE METRES

LOCATION APPROVED UNDERGROUND STRUCTURES
SUPV. U/G STRUCTURES COMMITTEE DATE
NOTE:
LOCATION OF UNDERGROUND STRUCTURES AS SHOWN ARE BASED ON THE BEST INFORMATION AVAILABLE BUT NO GUARANTEE IS GIVEN THAT ALL EXISTING UTILITIES ARE SHOWN OR THAT THE GIVEN LOCATIONS ARE EXACT. CORROBORATION OF EXISTENCE AND EXACT LOCATION OF ALL SERVICES MUST BE OBTAINED FROM THE INDIVIDUAL UTILITIES BEFORE PROCEEDING WITH CONSTRUCTION.

NO.	REVISIONS	DATE	BY
0	ISSUED FOR CONSTRUCTION	05/04/19	DD
A	ISSUED FOR CLIENT REVIEW	05/02/28	DD

UMA
An AECOM Company
2005 UMA ENGINEERING LTD. ALL RIGHTS RESERVED.

DESIGNED BY: WRJ, AN	CHECKED BY: RPS
DRAWN BY: DID	APPROVED BY: BMB
HOR. SCALE: AS SHOWN	VERTICAL: AS SHOWN
DATE: 05/04/19	AUTHORIZED BY: R. FINGAS / P. ENG BRIDGE PROJECTS ENGINEER

ENGINEER'S SEAL
PROVINCE OF MANITOBA
A. NAGY
REGISTERED PROFESSIONAL ENGINEER
APR 19, 2005

THE CITY OF WINNIPEG
PUBLIC WORKS DEPARTMENT
Winnipeg
ENGINEERING DIVISION

KENASTON UNDERPASS PROJECT
STERLING LYON PARKWAY WEST OF
KENASTON BOULEVARD

ACCESS GATE & LAND DRAINAGE SYSTEM
DETAILS & SECTIONS

BID OPPORTUNITY
No. 84-2005
Certificate of Authorization
UMA Engineering Ltd.
No. 256 Expiry: April 30, 2005

SHEET 48 OF 61
CAD FILE DRAWING NUMBER 01-CT4001_RX
CITY DRAWING NUMBER P3258-108