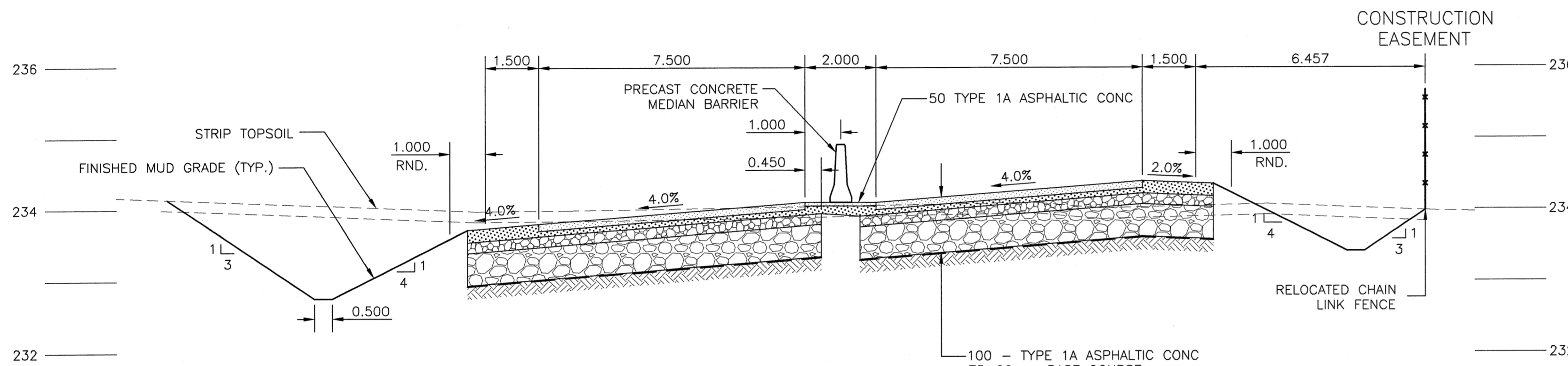
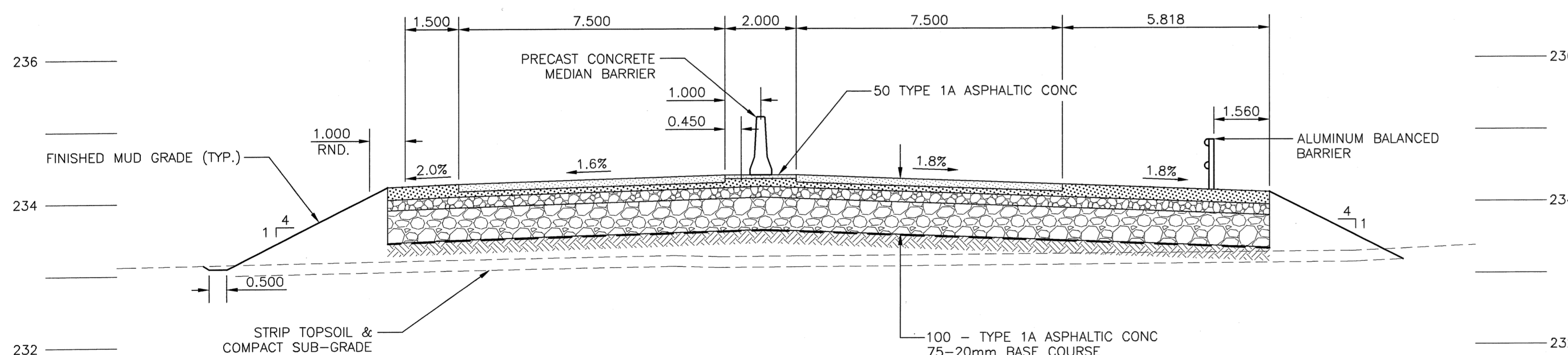


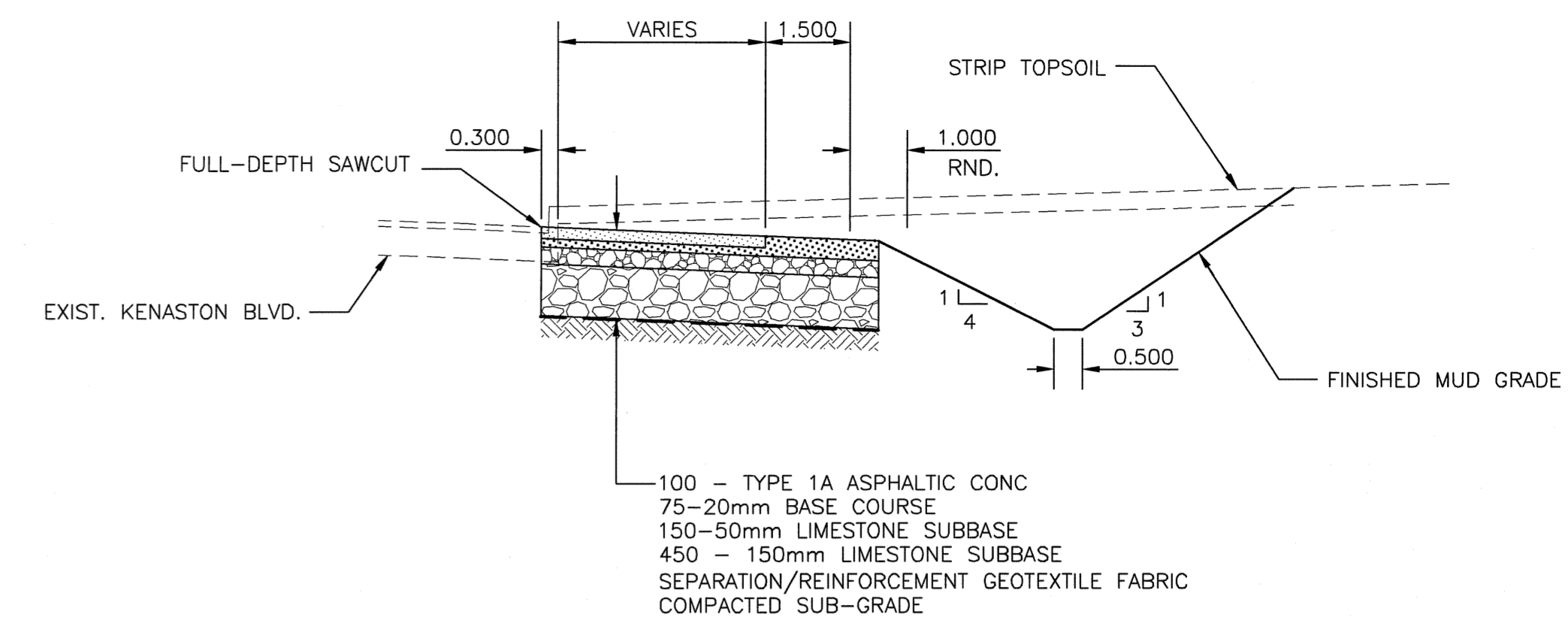
Q
35 | 47
KENASTON BOULEVARD DETOUR
SECTION @ STA. 1+160



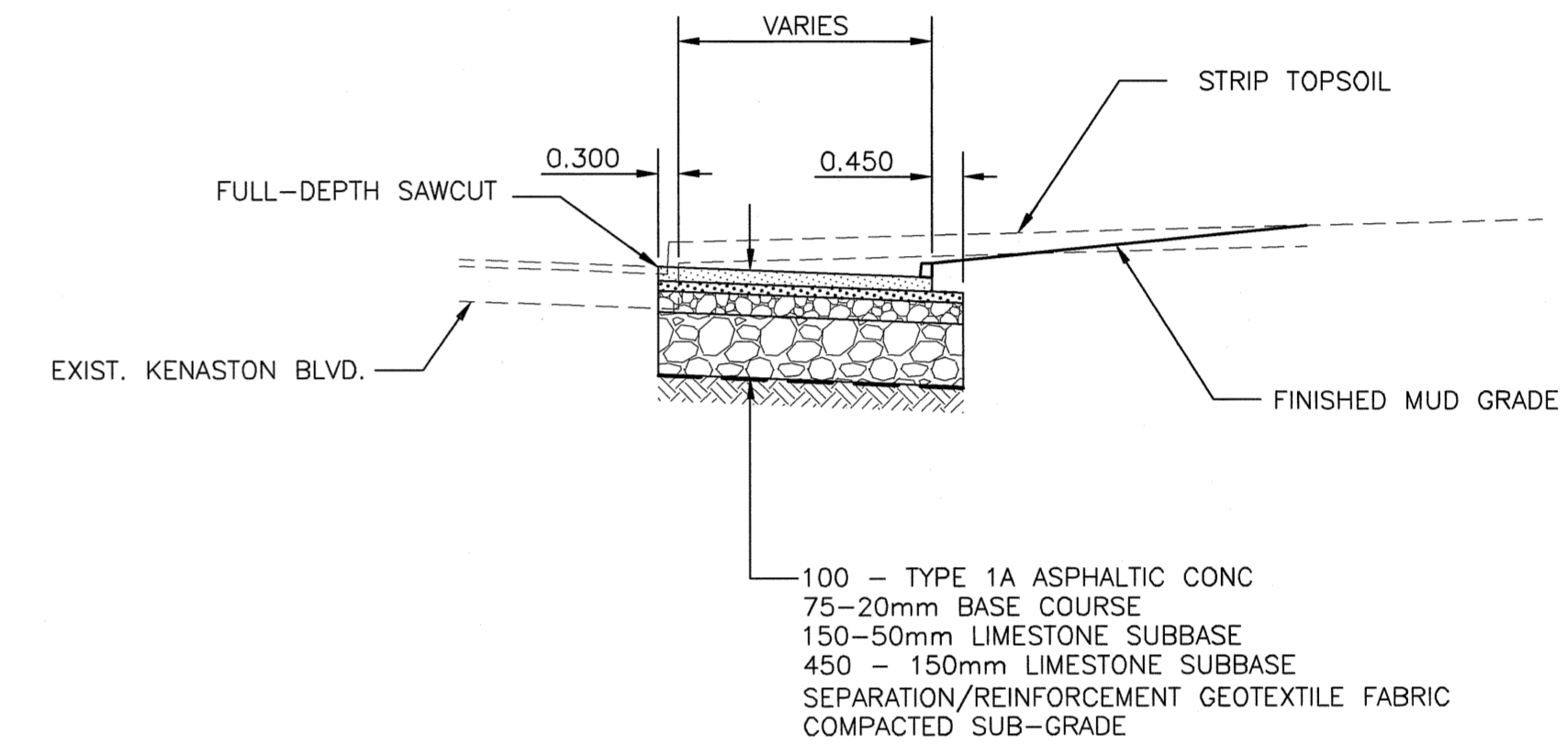
R
35 | 47
KENASTON BOULEVARD DETOUR
SECTION @ STA. 1+400



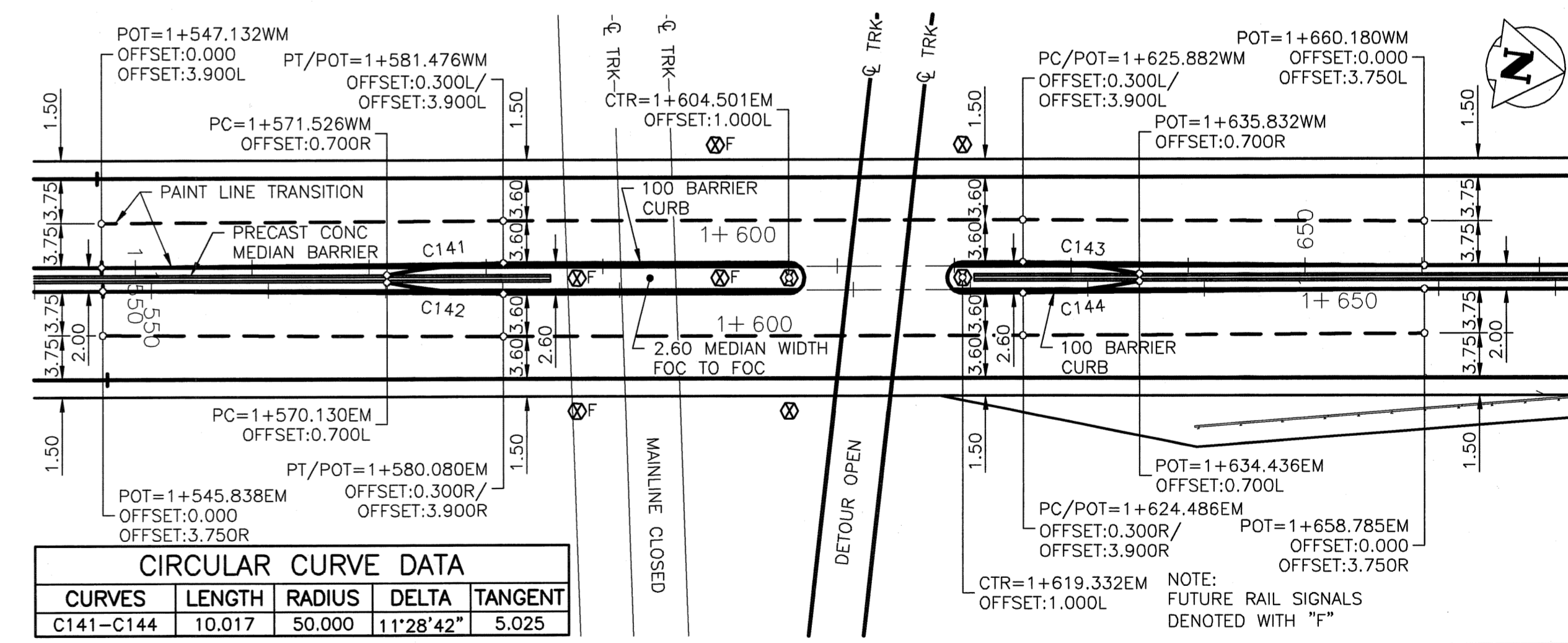
S
36 | 50 | 47
KENASTON BOULEVARD DETOUR
SECTION @ STA. 1+640



T
47 | 47
KENASTON BOULEVARD DETOUR
TYPICAL SECTION- PAVEMENT WIDENING (WITH SHOULDERS)



U
47 | 47
KENASTON BOULEVARD DETOUR
TYPICAL SECTION- PAVEMENT WIDENING (WITH CURB)



CIRCULAR CURVE DATA

CURVES	LENGTH	RADIUS	DELTA	TANGENT
C141-C144	10.017	50.000	11°28'42"	5.025

V
47 | 47
KENASTON BOULEVARD DETOUR
MEDIAN DETAIL
SCALE: HOR 1:400

METRIC
WHOLE NUMBERS INDICATE MILLIMETRES
DECIMALIZED NUMBERS INDICATE METRES

WARNING
IF POWER EQUIPMENT OR EXPLOSIVES ARE TO BE USED FOR EXCAVATION ON THIS PROJECT THE CONTRACTOR MUST:
1) NOTIFY THE GAS COMPANY OF THE PROPOSED LOCATION OF EXCAVATION.
2) TAKE PRECAUTION TO AVOID DAMAGE TO GAS COMPANY INSTALLATIONS.
SEE PROVINCIAL REGULATION 140/92 FOR DETAILS

LOCATION APPROVED UNDERGROUND STRUCTURES

SUPV. U/G STRUCTURES COMMITTEE	DATE

NOTE:
LOCATION OF UNDERGROUND STRUCTURES AS SHOWN ARE BASED ON THE BEST INFORMATION AVAILABLE BUT NO GUARANTEE IS GIVEN THAT ALL EXISTING UTILITIES ARE SHOWN OR THAT THE GIVEN LOCATIONS ARE EXACT. CONFIRMATION OF EXISTENCE AND EXACT LOCATION OF ALL SERVICES MUST BE OBTAINED FROM THE INDIVIDUAL UTILITIES BEFORE PROCEEDING WITH CONSTRUCTION.

NO.	REVISIONS	DATE	BY
0	ISSUED FOR CONSTRUCTION	05/04/19	DL
A	ISSUED FOR CLIENT REVIEW	05/02/28	CGC

UMA
An AECOM Company

2005 UMA ENGINEERING LTD. ALL RIGHTS RESERVED.

DESIGNED BY: RPB, JGK	CHECKED BY: RPB
DRAWN BY: JGK, CGC	APPROVED BY: RPB
AUTHORIZED BY: R. FINGAS	DATE: 05-04-19

HOR. SCALE: 1:100
VERTICAL: 1:50
DATE: 05/04/19
R. FINGAS
BRIDGE PROJECTS ENGINEER

ENGINEER'S SEAL
PROVINCE OF MANITOBA
REGISTERED PROFESSIONAL ENGINEER
BRUCE W. BIGLOW
05-04-13

THE CITY OF WINNIPEG
PUBLIC WORKS DEPARTMENT
ENGINEERING DIVISION

KENASTON UNDERPASS PROJECT
KENASTON BOULEVARD ROAD DETOUR

KENASTON BOULEVARD ROAD DETOUR
PAVEMENT CROSS SECTIONS & MEDIAN DETAIL

BID OPPORTUNITY No. 84-2005
Certificate of Authorization UMA Engineering Ltd. No. 256 Expiry: April 30, 2005

SHEET 47 OF 61
CAD FILE DRAWING NUMBER 01-CT3007_RX
CITY DRAWING NUMBER P-3258-107