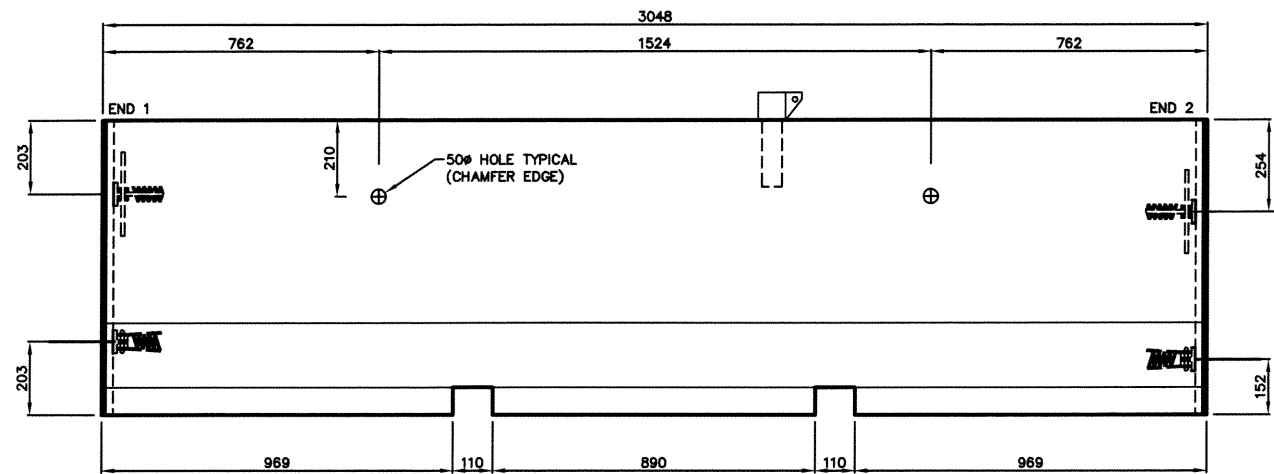
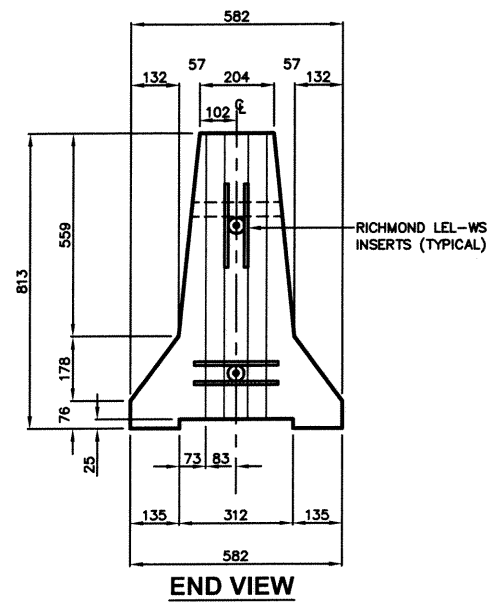


**INSTALLATION OF BARRIERS DETAIL**

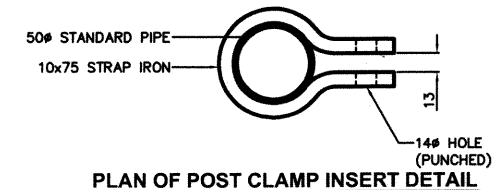
NOTE: CONNECT END 1 TO END 2 USING RETAINING PIN & 13# BOLT



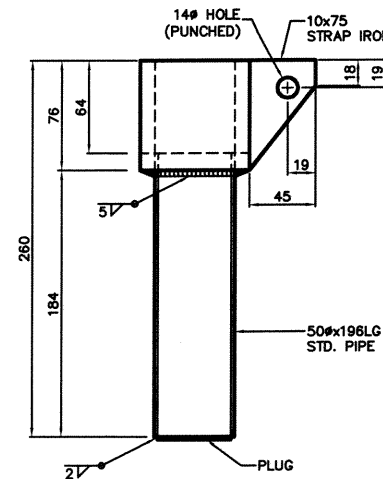
**ELEVATION**  
SHOWING CONC. DETAILS



**END VIEW**



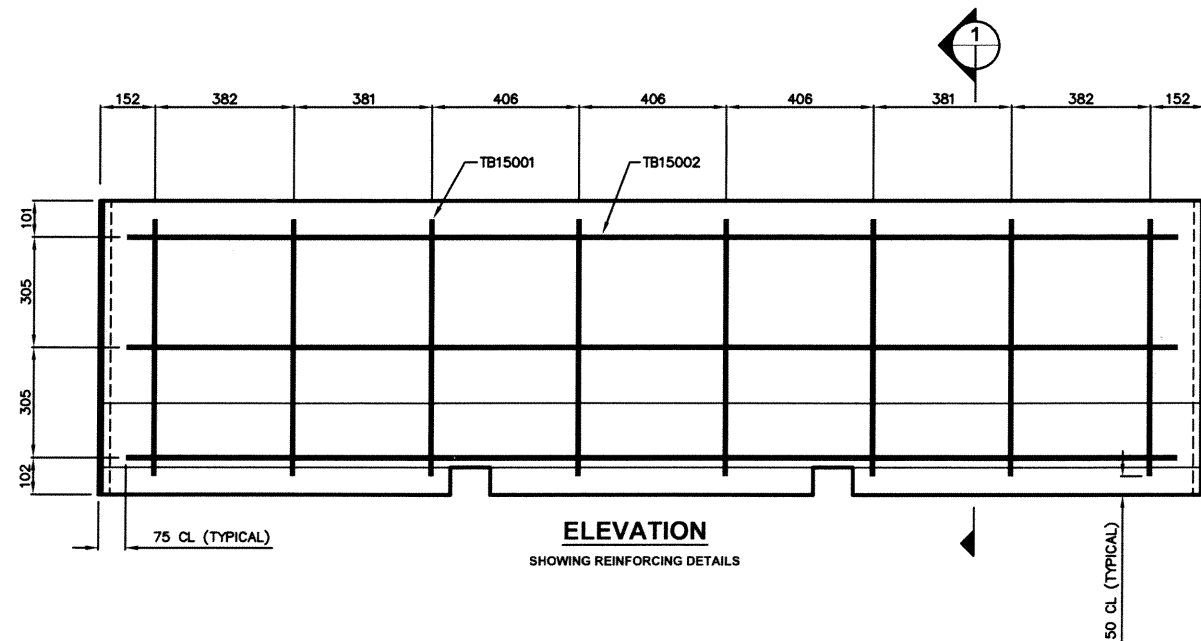
**PLAN OF POST CLAMP INSERT DETAIL**



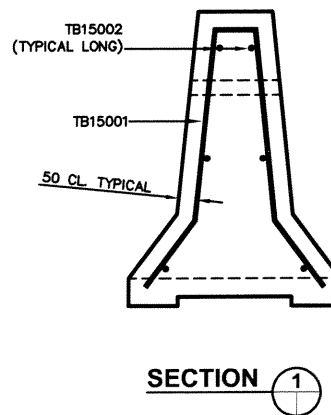
**ELEVATION OF POST CLAMP INSERT**  
**POST CLAMP INSERT DETAIL**

SCALE 1:25  
NOTE: FOR BARRIER CAST UPSIDE DOWN POST INSERTS MAY BE GROUTED INTO 70# FORMED HOLE.

**METRIC**  
WHOLE NUMBERS INDICATE MILLIMETRES  
DECIMALIZED NUMBERS INDICATE METRES



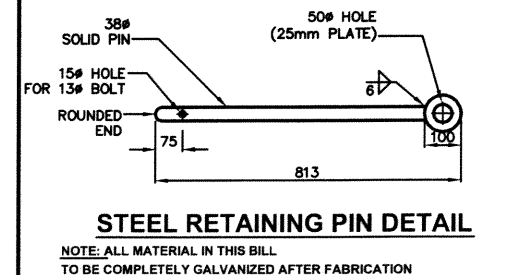
**ELEVATION**  
SHOWING REINFORCING DETAILS



**SECTION**

BILL OF REINFORCING STEEL FOR ONE CONC. BARRIER UNIT				
MARK	TYPE	LENGTH	NO. PER UNIT	BENDING DIAGRAM
TB15001	BENT	1600	8	
TB15002	STRAIGHT	2895	6	
ALL REINFORCING STEEL GRADE 400 MPa				
VOLUME OF CONC. PER UNIT = 0.79 m <sup>3</sup>				
MASS OF EACH UNIT = 1890kg				

BILL OF MISCELLANEOUS METAL FOR ONE CONC. BARRIER UNIT	
NO.	DESCRIPTION
4	RICHMOND LEL-WS END LIFT INSERT FOR 25# LEB
4	RICHMOND LEB EYE BOLT 25#x75 LONG
1	38#x813 STEEL RETAINING PIN (SEE DETAIL)
1	13#x75 LG BOLT C/W HEX NUT & 2 LOCK WASHERS
2	25#x25 LG SOCKET HEAD SCREWS
1	POST CLAMP INSERT (SEE DETAIL)



**STEEL RETAINING PIN DETAIL**

NOTE: ALL MATERIAL IN THIS BILL TO BE COMPLETELY GALVANIZED AFTER FABRICATION

- GENERAL NOTES:**
- CONCRETE  
SPECIFIED COMPRESSIVE STRENGTH @ 28 DAYS = 40MPa  
MAX. W/C RATIO = 0.4  
AGGREGATE = 20mm NOMINAL  
AIR CONTENT = 5 TO 8%
  - STEEL FORM FINISH UNLESS OTHERWISE APPROVED.
  - MINIMUM CHAMFER ON ALL EDGES 13mm.
  - REBAR TO BE GRADE 400 MPa.
  - UNITS ARE DESIGNED TO BE INSTALLED BY HAVING AN END "1" CONNECTED TO AN END "2".
  - UNIT NO.'S TO START WITH 2 DIGIT YEAR DESIGNATION FOLLOWED BY 2 DIGIT PRODUCTION NO. (PRODUCTION UNIT NO. SHOWN IS FOR ILLUSTRATIVE PURPOSE ONLY).

NO.	REVISIONS	DATE	BY

DESIGNED BY	CHECKED BY
DRAWN BY AP 03-09-II	APPROVED BY
HOR. SCALE: 1:10	RELEASED FOR CONSTRUCTION
VERTICAL: OR AS NOTED	

CONSULTANT DRAWING NO.

**THE CITY OF WINNIPEG**  
PUBLIC WORKS DEPARTMENT  
TRANSPORTATION DIVISION

**PRECAST CONCRETE PORTABLE TRAFFIC BARRIER**

SHEET OF

CAD FILE DRAWING NUMBER

CITY DRAWING NUMBER  
**CW-315**