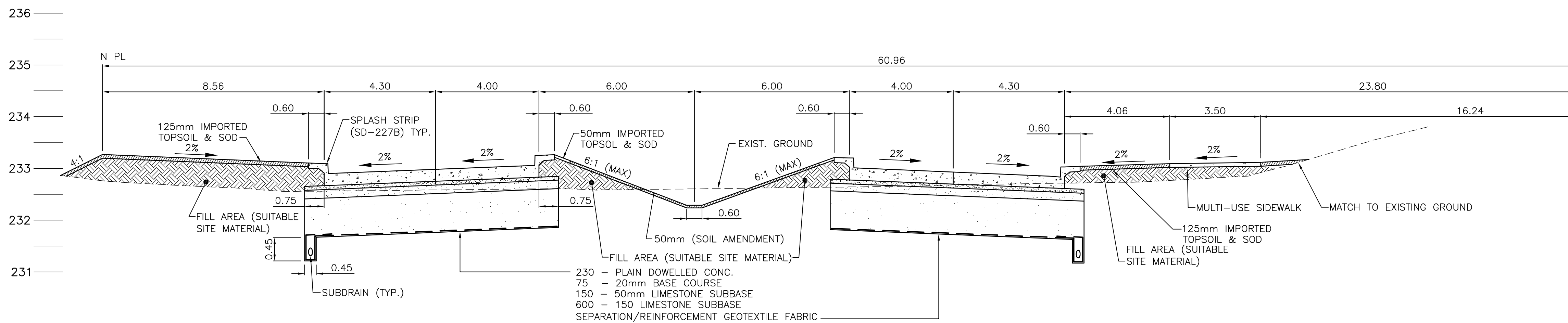
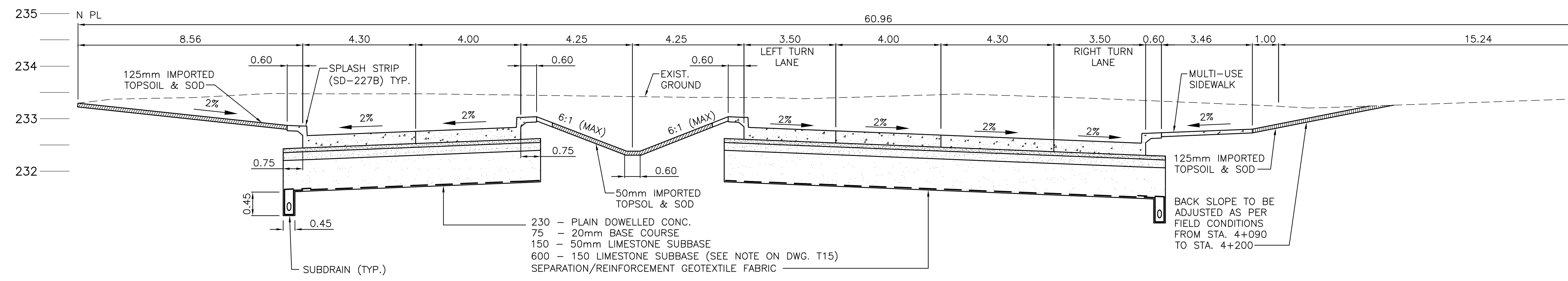


F
STERLING LYON PARKWAY (EAST)
SECTION @ STA 3+700
SCALE: HOR. 1:100
VERT. 1:50

- NOTES:**
1. ALL SUB DRAINS INSTALLED AS PER CW3120 & STANDARD DETAIL SD-245.
 2. THE SEPARATION/REINFORCEMENT FABRIC SHALL BE WOVEN FABRIC AS PER CW3120.5.6. ALSO REFER TO TABLE CW 3710.5.4.2.
 3. FOR JOINT DETAILS OF PAVEMENT AT THE INTERSECTION, REFER TO JOINT DETAIL DRAWING P-3258-22 TO P-3258-25.
 4. FOR COMPLETE LANDSCAPING DETAILS AT BOULEVARD, ISLAND AND MEDIAN LOCATIONS, REFER TO LANDSCAPING DRAWINGS P-3258-32 TO P-3258-38.
 5. ELEVATIONS SHOWN ON TYPICAL SECTIONS ARE FOR REPRESENTATION ONLY.
 6. CONTRACTOR TO ADJUST THE GRADING OF BOULEVARDS TO ENSURE POSITIVE DRAINAGE WITH CONTRACT ADMINISTRATOR APPROVAL.
 7. CONTRACTOR TO FOLLOW CITY'S STANDARD DETAILS, WHERE APPLICABLE AND WILL ACQUIRE CONTRACT ADMINISTRATOR'S APPROVAL FOR ALL OTHER APPLICATIONS.



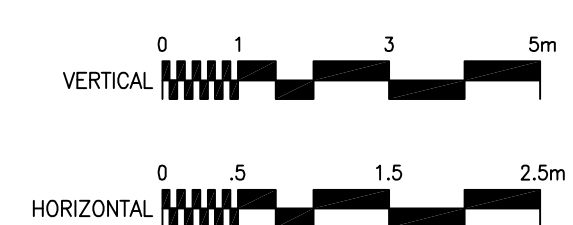
G
STERLING LYON PARKWAY (EAST)
SECTION @ STA 4+025
SCALE: HOR. 1:100
VERT. 1:50



H
STERLING LYON PARKWAY (EAST)
SECTION @ STA 4+180
SCALE: HOR. 1:100
VERT. 1:50

METRIC
WHOLE NUMBERS INDICATE MILLIMETRES
DECIMALIZED NUMBERS INDICATE METRES

WARNING
IF POWER EQUIPMENT OR EXPLOSIVES ARE TO BE USED FOR EXCAVATION ON THIS PROJECT THE CONTRACTOR MUST:
1) NOTIFY THE GAS COMPANY OF THE PROPOSED LOCATION OF EXCAVATION.
2) TAKE PRECAUTION TO AVOID DAMAGE TO GAS COMPANY INSTALLATIONS.
SEE PROVINCIAL REGULATION 140/92 FOR DETAILS



LOCATION APPROVED UNDERGROUND STRUCTURES

SUPV. U/G STRUCTURES COMMITTEE	DATE

NOTE:
LOCATION OF UNDERGROUND STRUCTURES AS SHOWN ARE BASED ON THE BEST INFORMATION AVAILABLE BUT NO GUARANTEE IS GIVEN THAT ALL EXISTING UTILITIES ARE SHOWN OR THAT THE GIVEN LOCATIONS ARE EXACT. CONFIRMATION OF EXISTENCE AND EXACT LOCATION OF ALL SERVICES MUST BE OBTAINED FROM THE INDIVIDUAL UTILITIES BEFORE PROCEEDING WITH CONSTRUCTION.

NO.	REVISIONS	DATE	BY
1	ISSUED FOR TENDER	05.03.29	GWM
0	ISSUED FOR CLIENT REVIEW	05.02.28	TAS

Stantec Consulting Ltd.
905 Waverley Street, Winnipeg, Manitoba
Tel 204-489-5900 Fax 204-453-9012

DESIGNED BY: TAS	CHECKED BY: TAS
DRAWN BY: TAG, JMB	APPROVED BY: GWM
AUTHORIZED BY: R. FINGAS, P. ENG.	DATE: 05.03.24

HOR. SCALE: AS SHOWN
VERTICAL: AS SHOWN
DATE: 04.09.24

ENGINEER'S SEAL

ORIGINAL SEALED BY
G.W. MOURANT
P. ENG.
05.03.24

CONSULTANT DRAWING NO.
I13703042-T16

THE CITY OF WINNIPEG
PUBLIC WORKS DEPARTMENT
ENGINEERING DIVISION

Winnipeg

KENASTON UNDERPASS
STERLING LYON PARKWAY (EAST)

PAVEMENT CROSS SECTIONS

SHEET **28** OF **60**
CAD FILE DRAWING NUMBER **d11-sect.dwg**
CITY DRAWING NUMBER **P-3258-28**

APEGM
Certificate of Authorization
Stantec Consulting Ltd.
No. 1301 Expiry: April 30, 2005