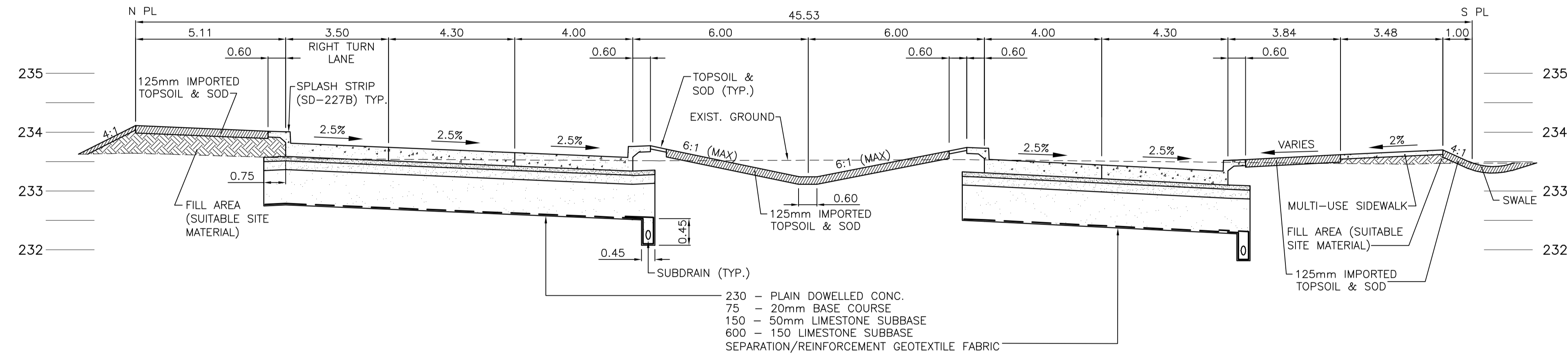
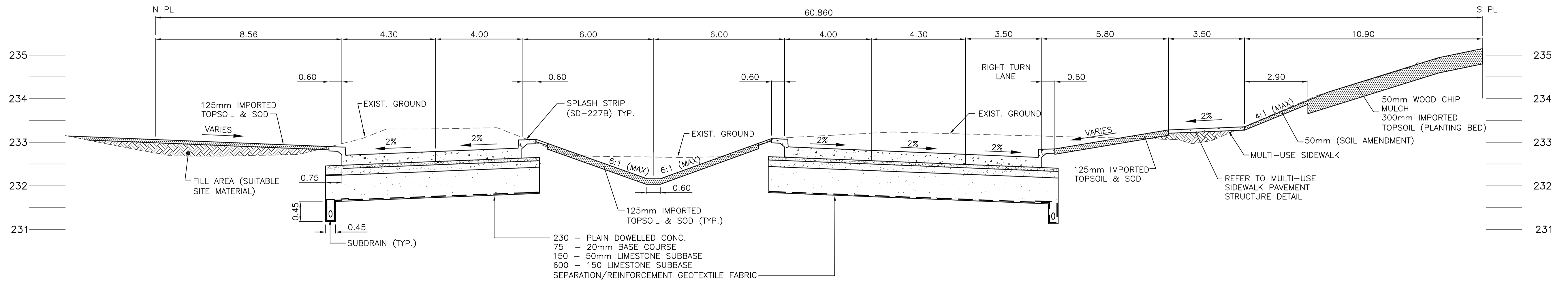


**C**  
STERLING LYON PARKWAY (EAST)  
SECTION @ STA 2+595  
SCALE: HOR. 1:100  
VERT. 1:50



**D**  
STERLING LYON PARKWAY (EAST)  
SECTION @ STA 3+120  
SCALE: HOR. 1:100  
VERT. 1:50



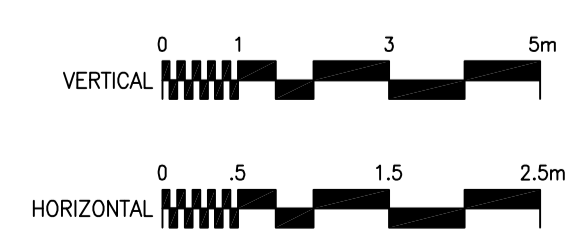
**E**  
STERLING LYON PARKWAY (EAST)  
SECTION @ STA 3+425  
SCALE: HOR. 1:100  
VERT. 1:50

- NOTES:**
1. ALL SUB DRAINS INSTALLED AS PER CW3120 & STANDARD DETAIL SD-245, SEE ALSO DETAIL DRAWING D-8631.
  2. THE SEPARATION/REINFORCEMENT FABRIC SHALL BE WOVEN FABRIC AS PER CW3120.5.6. ALSO REFER TO TABLE CW 3710.5.4.2.
  3. FOR JOINT DETAILS OF PAVEMENT AT THE INTERSECTION, REFER TO JOINT DETAIL DRAWING P-3258-23.
  4. FOR COMPLETE LANDSCAPING DETAILS AT BOULEVARD, ISLAND AND MEDIAN LOCATIONS, REFER TO LANDSCAPING DRAWINGS P-3258-32 TO P-3258-38.
  5. ELEVATIONS SHOWN ON TYPICAL SECTIONS ARE FOR REPRESENTATION ONLY.
  6. CONTRACTOR TO ADJUST GRADING OF BOULEVARDS TO ENSURE POSITIVE DRAINAGE WITH CONTRACT ADMINISTRATOR APPROVAL.
  7. CONTRACTOR TO FOLLOW CITY'S STANDARD DETAILS, WHERE APPLICABLE AND WILL ACQUIRE CONTRACT ADMINISTRATOR'S APPROVAL FOR ALL OTHER APPLICATIONS.

V:\117\proj\11703042 - Kenaston U/G Structure\DWG-SET\CONTRACT\PROJ\01-SECT.dwg  
 2005-03-24 10:07AM By: jgd

**METRIC**  
WHOLE NUMBERS INDICATE MILLIMETRES  
DECIMALIZED NUMBERS INDICATE METRES

**WARNING**  
IF POWER EQUIPMENT OR EXPLOSIVES ARE TO BE USED FOR EXCAVATION ON THIS PROJECT THE CONTRACTOR MUST:  
1) NOTIFY THE GAS COMPANY OF THE PROPOSED LOCATION OF EXCAVATION.  
2) TAKE PRECAUTION TO AVOID DAMAGE TO GAS COMPANY INSTALLATIONS.  
SEE PROVINCIAL REGULATION 140/92 FOR DETAILS



**LOCATION APPROVED UNDERGROUND STRUCTURES**

SUPV. U/G STRUCTURES COMMITTEE	DATE

**NOTE:**  
LOCATION OF UNDERGROUND STRUCTURES AS SHOWN ARE BASED ON THE BEST INFORMATION AVAILABLE BUT NO GUARANTEE IS GIVEN THAT ALL EXISTING UTILITIES ARE SHOWN OR THAT THE GIVEN LOCATIONS ARE EXACT. CONFIRMATION OF EXISTENCE AND EXACT LOCATION OF ALL SERVICES MUST BE OBTAINED FROM THE INDIVIDUAL UTILITIES BEFORE PROCEEDING WITH CONSTRUCTION.

NO.	REVISIONS	DATE	BY
1	ISSUED FOR TENDER	05.03.29	GWM
0	ISSUED FOR CLIENT REVIEW	05.02.28	TAS

**Stantec Consulting Ltd.**  
905 Waverley Street, Winnipeg, Manitoba  
Tel 204-489-5900 Fax 204-453-9012

DESIGNED BY: TAS	CHECKED BY: TAS
DRAWN BY: TAG, JMB	APPROVED BY: GWM
HOR. SCALE: AS SHOWN	AUTHORIZED BY: R. FINGAS, P. ENG. 05.03.24
VERTICAL: AS SHOWN	R. FINGAS, P. ENG. BRIDGE PROJECTS ENGINEER

**ENGINEER'S SEAL**

ORIGINAL SEALED BY  
G.W. MOURANT  
P. ENG.  
05.03.24

CONSULTANT DRAWING NO.  
**I13703042-T15**

**THE CITY OF WINNIPEG**  
PUBLIC WORKS DEPARTMENT  
ENGINEERING DIVISION

**Winnipeg**

**KENASTON UNDERPASS**  
STERLING LYON PARKWAY (EAST)

**PAVEMENT CROSS SECTIONS**

SHEET **27** OF **60**  
CAD FILE DRAWING NUMBER **d11-sect.dwg**  
CITY DRAWING NUMBER **P-3258-27**

