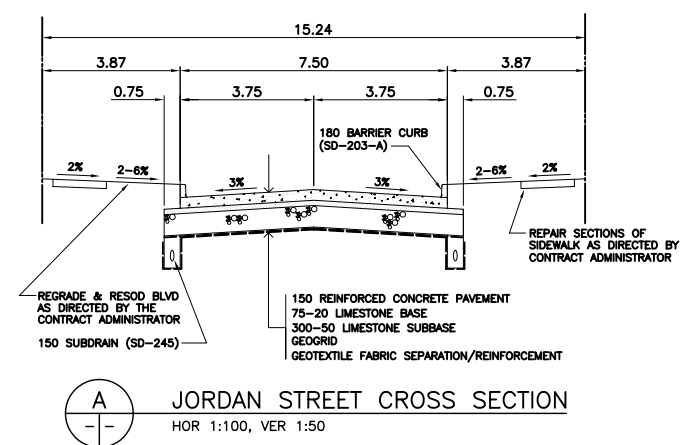
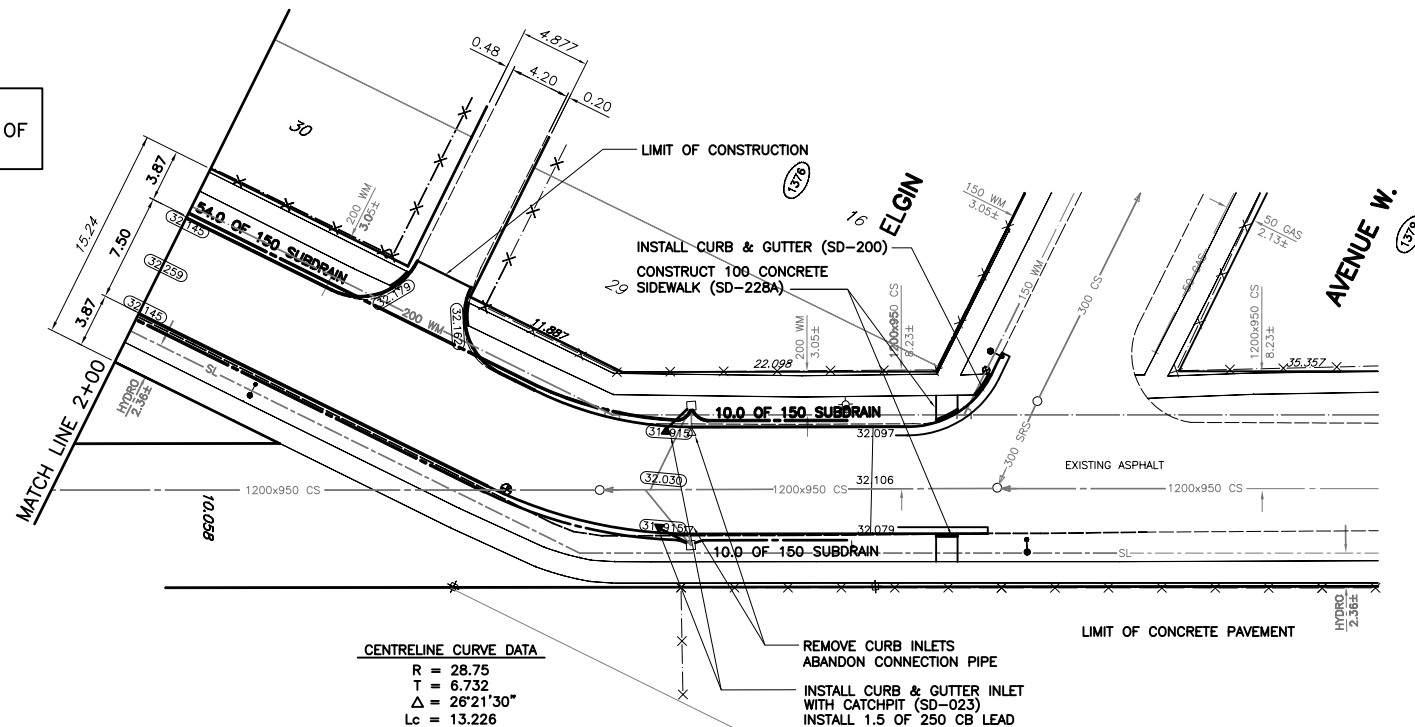


NOTE:
CHAINAGE IS ALONG CENTRELINE OF
PROPOSED CONCRETE PAVEMENT.



JORDAN STREET CROSS SECTION
HOR 1:100, VER 1:50

CENTRELINE CURVE DATA
R = 28.75
T = 6.732
Δ = 26°21'30"
Lc = 13.226

JORDAN STREET

APEGN
Certificate of Authorization
Wardrop Engineering Inc.
No. 195 Expiry: April 30, 2005

LEGEND-PLAN	PROPOSED	EXISTING	LEGEND-PLAN	PROPOSED	EXISTING	LEGEND-PLAN	PROPOSED	EXISTING
150 WM	WATERMAIN	— —	BEND	— —	⊙	TREE	— —	— —
400 FM	FEEDERMAIN	— —	TEE	— —	⊕	LEGAL DIMENSION	— —	— —
300 LDS	LAND DRAINAGE SEWER	— —	CURB STOP	— —	⊕	SURVEY BAR	— —	— —
250 WWS	WASTEWATER SEWER	— —	MANHOLE	— —	⊕	TRAFFIC SIGNAL	— —	— —
300 CS	COMBINED SEWER	— —	CATCHBASIN	— —	⊕	GAS	— —	— —
200 FCM	FORCEMAIN	— —	CURB INLET	— —	⊕	HYDRO	— —	— —
⊕	JUNCTIONS	— —	ADDRESS	— —	⊕	MTS	— —	— —
⊕	HYDRANT	— —	HYDRO POLE	— —	⊕	SIDEWALK	— —	— —
⊕	VALVE	— —	LIGHT STANDARD	— —	⊕	CONCRETE PAVEMENT	— —	— —
⊕	REDUCER	— —	ANCHOR	— —	⊕	CURB	— —	— —
EXISTING	LEGEND-PLAN	PROPOSED	EXISTING	LEGEND-PLAN	PROPOSED	EXISTING	LEGEND-PLAN	PROPOSED

LOCATION APPROVED UNDERGROUND STRUCTURES

NO.	REVISIONS	DATE	BY
0	ISSUED FOR TENDER	05.05.30	PJK
1	ISSUED FOR APPROVAL	05.05.27	PJK

NOTE:
LOCATION OF UNDERGROUND STRUCTURES AS SHOWN ARE BASED ON THE BEST INFORMATION AVAILABLE. BUT NO GUARANTEE IS GIVEN THAT ALL EXISTING UTILITIES ARE SHOWN OR THAT THE GIVEN LOCATIONS ARE EXACT. CONFIRMATION OF EXISTING AND EXACT LOCATION OF ALL SERVICES MUST BE OBTAINED FROM THE INDIVIDUAL UTILITIES BEFORE PROCEEDING WITH CONSTRUCTION.

WARDROP Engineering Inc.

DESIGNED BY	PJK	CHECKED BY
—	—	—
DRAWN BY	GMD	APPROVED BY
—	—	—
HOR. SCALE:	1 : 250	RELEASED FOR CONSTRUCTION
VERTICAL:	1 : 10	—
DATE	04.11.22	DATE
—	—	—

THE CITY OF WINNIPEG
PUBLIC WORKS DEPARTMENT
ENGINEERING DIVISION

2005 STREET REHABILITATION PAVEMENT RECONSTRUCTION

JORDAN STREET
16m NORTH OF WILLIAM AVENUE W. TO
ELGIN AVENUE W.

CITY DRAWING NUMBER
SHEET 2 OF 6
C0002

CONSULTANT DRAWING NO.
0500070100-DWG-C0002