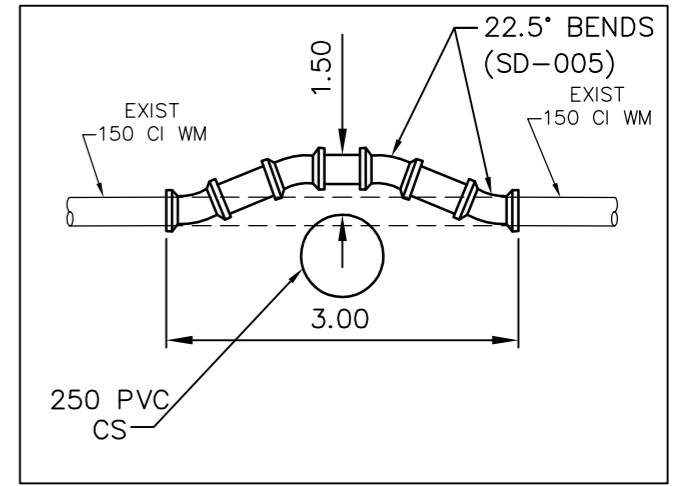
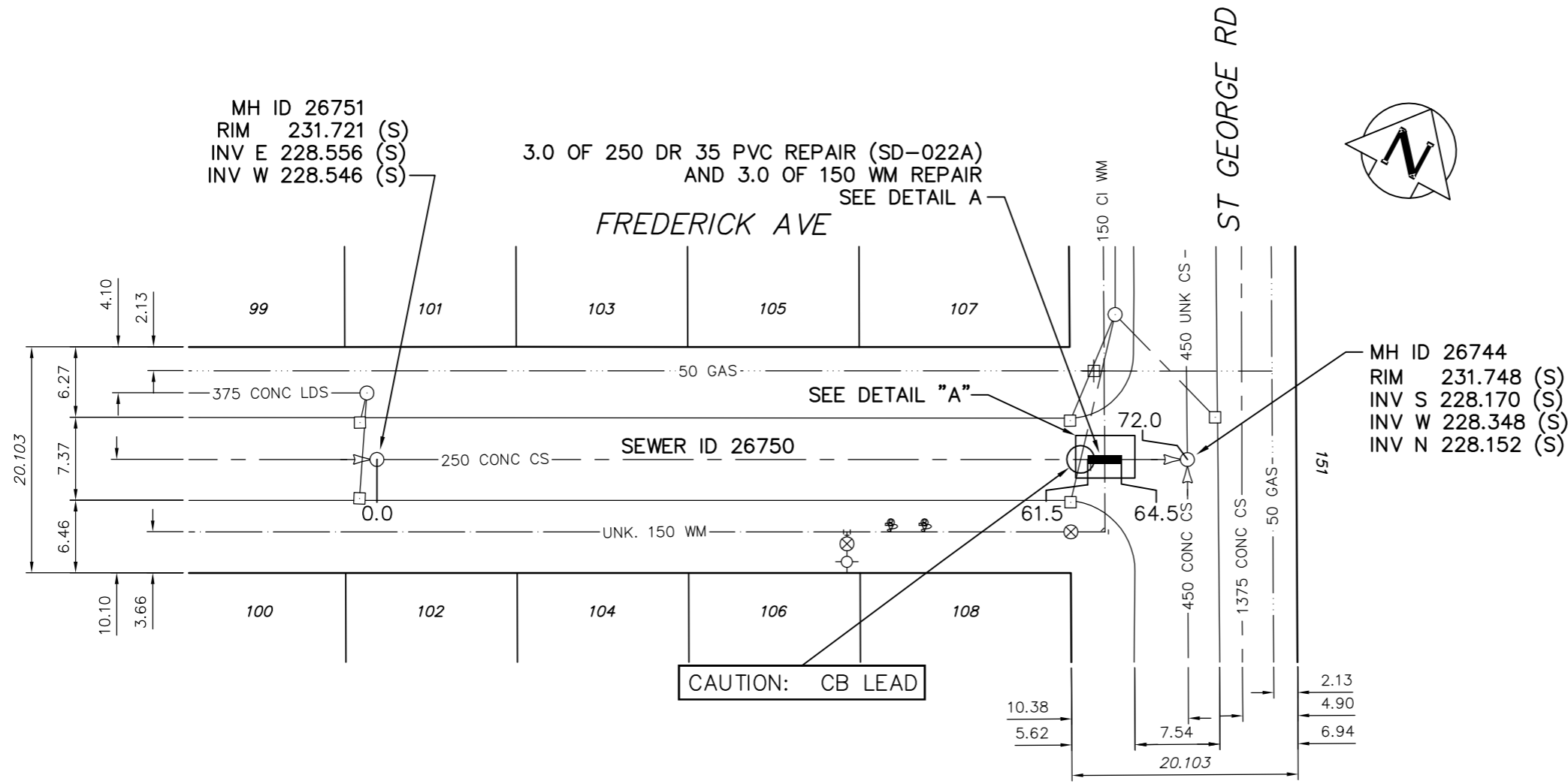


**NOTES:**  
 1. CONTRACTOR TO VERIFY LIMITS OF SEWER REPAIRS PRIOR TO EXCAVATION BY MEANS OF VIDEO INSPECTION.  
 2. CONTRACTOR TO ASSIST WITH VISUAL INSPECTION OF EXISTING SERVICES TO DETERMINE IF SERVICE RENEWAL IS REQUIRED.

SEWER JUNCTION INFORMATION			
DISTANCE FROM 1st MH (ID #26751) W OF ST GEORGE RD			
63.4	E	-	SOUTH UNKNOWN LOCATION

INFORMATION FROM SEWER VIDEO INSPECTION



DETAIL "A"  
N.T.S.

**LEGEND:**  
 52.0 | MEASUREMENT TO REPAIR FROM REFERENCE MH SHOWN THUS... 0.0

NOTE :  
 FOR SEWER ELEVATIONS  
 (S) = INV FROM SURVEY  
 (R) = INV FROM RECORD DRAWING OR LBIS

**METRIC**  
 WHOLE NUMBERS INDICATE MILLIMETRES  
 DECIMALIZED NUMBERS INDICATE METRES

ENGINEER'S SEAL

ORIGINAL SIGNED  
 BY K.R. ZUREK  
 05/04/11

BID OPPORTUNITY No: 78-2005  
 FILENAME : 05567\_Frederick.dwg  
 PLOT DATE : 2005 04 11

B.M. ELEV.	FIELD BOOK #	CITY OF WINNIPEG WATER AND WASTE ENGINEERING DIVISION		Winnipeg <b>THE CITY OF WINNIPEG</b> WATER AND WASTE DEPARTMENT	2005 COMBINED SEWER RENEWALS AND ASSOCIATED WORKS <b>FREDERICK AVENUE</b> 1st MH W. OF ST GEORGE RD TO MH AT ST GEORGE RD	SHEET 6 OF 10 CITY DRAWING NUMBER 05567
POSTED TO LBIS		DESIGNED BY NC	CHECKED BY TW/KZ			
		DRAWN BY HL	APPROVED BY KZ			
		HOR. SCALE 1:500	RELEASED FOR CONSTRUCTION			
		VERTICAL				
NO. REVISIONS	DATE	BY	DATE	2005 04 11	DATE	