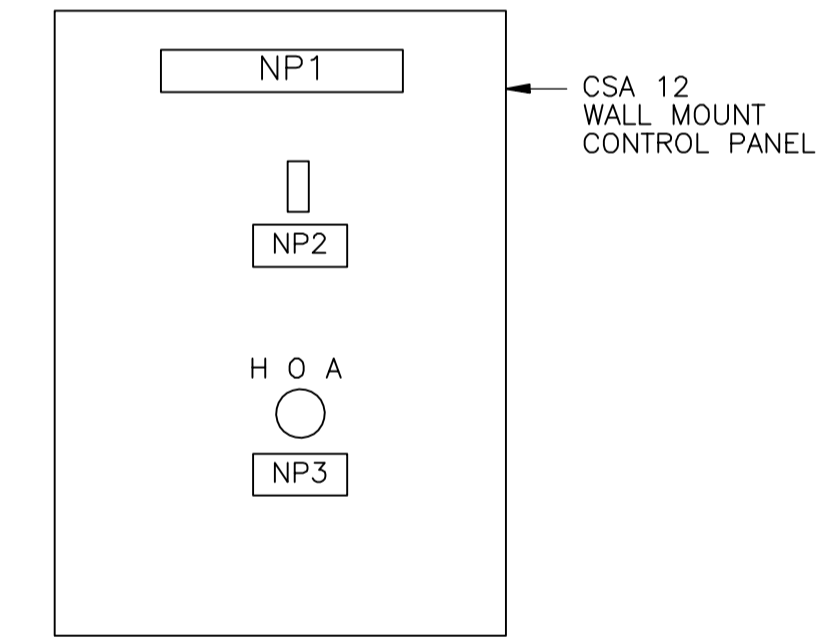


NOTES:
1. LCP-R31 AND ALL FIELD WIRING BY DIVISION 16 EXCEPT WIRING TO BAS SYSTEM BY DIVISION 15.



- NP1 - RADIANT HEATER CONTROL PANEL
LCP-R31
- NP2 - MAIN DISCONNECT
- NP3 - H O A SELECTER SWITCH

RADIANT HEATERS - MECHANICAL ROOM No. 2

 APECM Certificate of Authorization CH2M HILL Canada Ltd. No. 1441 Expiry: April 30, 2007	B.M. ELEV.	 Frederickson Cooper ARCHITECTS	 A 100 International Ltd. Company	ENGINEER'S SEAL	 THE CITY OF WINNIPEG WATER AND WASTE DEPARTMENT ENGINEERING DIVISION	CITY FILE NUMBER		
				DESIGNED BY JT		CHECKED BY ND	ORIGINAL SIGNED BY L.D. LLEWELLYN	SHEET OF
				DRAWN BY KJ		APPROVED BY AHL	2006/03/29	WATER TREATMENT PLANT MAIN BUILDING MECHANICAL AND ELECTRICAL
				SCALE: NTS		RELEASED FOR CONSTRUCTION BY: R. SOROKOWSKI	CONSULTANT DRAWING NO. WB-E0562	ELECTRICAL CONTROL DIAGRAM
	NO. REVISIONS	DATE BY	DATE	DATE				