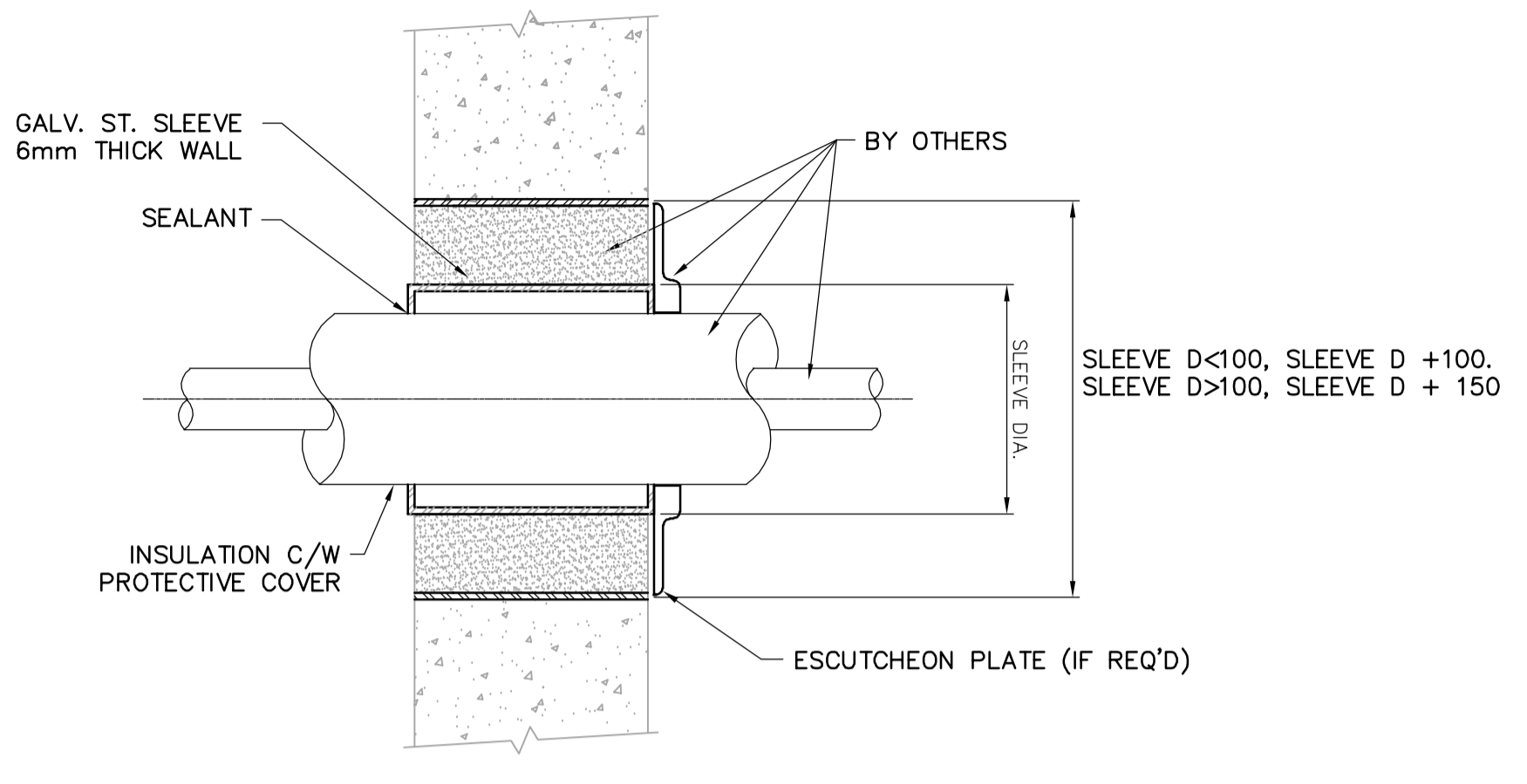


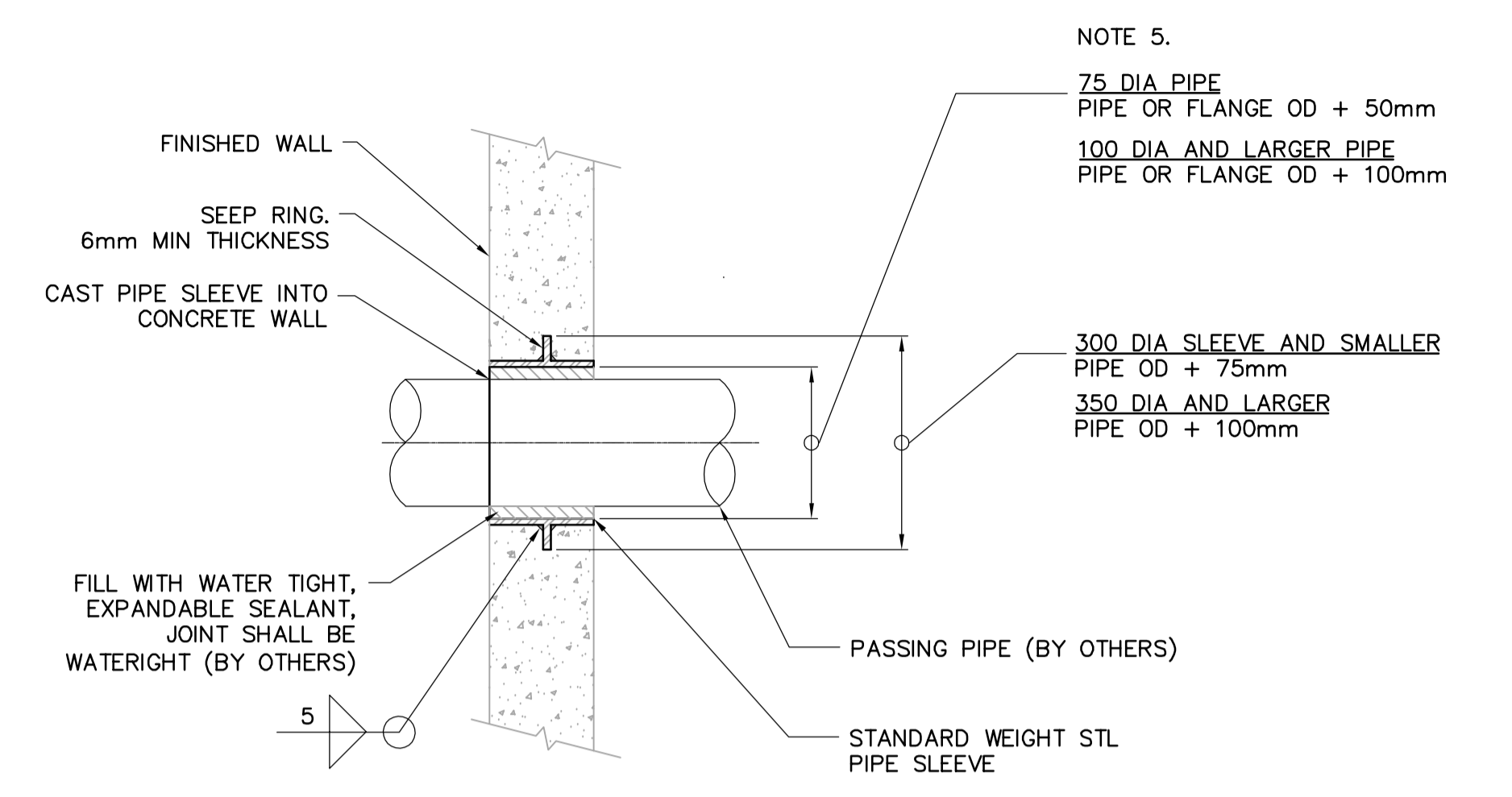
APPLICATION NOTES:
 1. LESS THAN 75mm NOMINAL I.D.
 2. ALLOW TRANSVERSE MOVEMENT

7 WALL PENETRATION NO. 7
 - N.T.S.

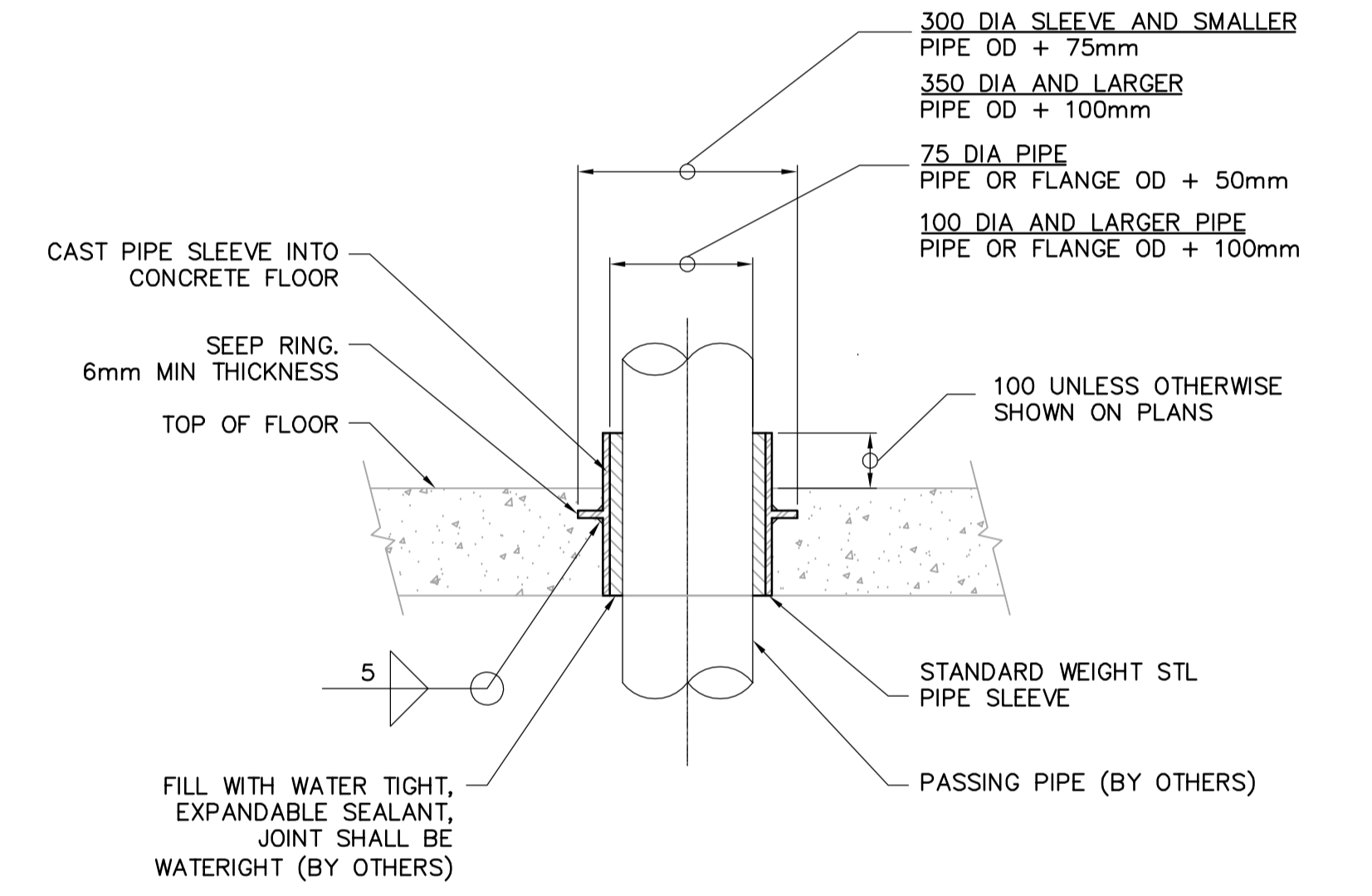


APPLICATION NOTES:
 1. INSULATED PIPE
 2. DO NOT PROVIDE SUPPORT TO PIPE THROUGH THIS WALL PENETRATION.

8 WALL PENETRATION NO. 8
 - N.T.S.



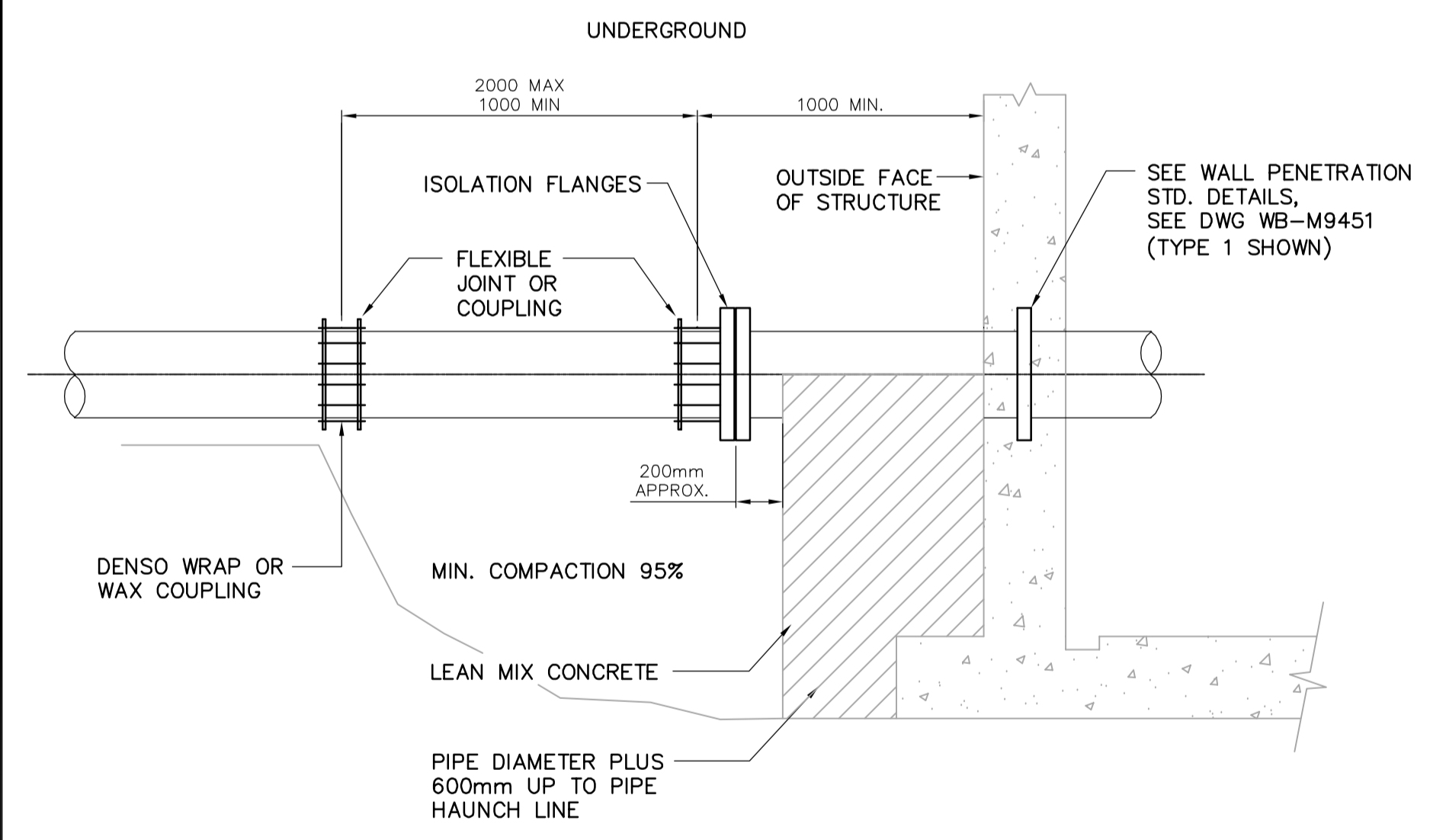
WALL SLEEVE



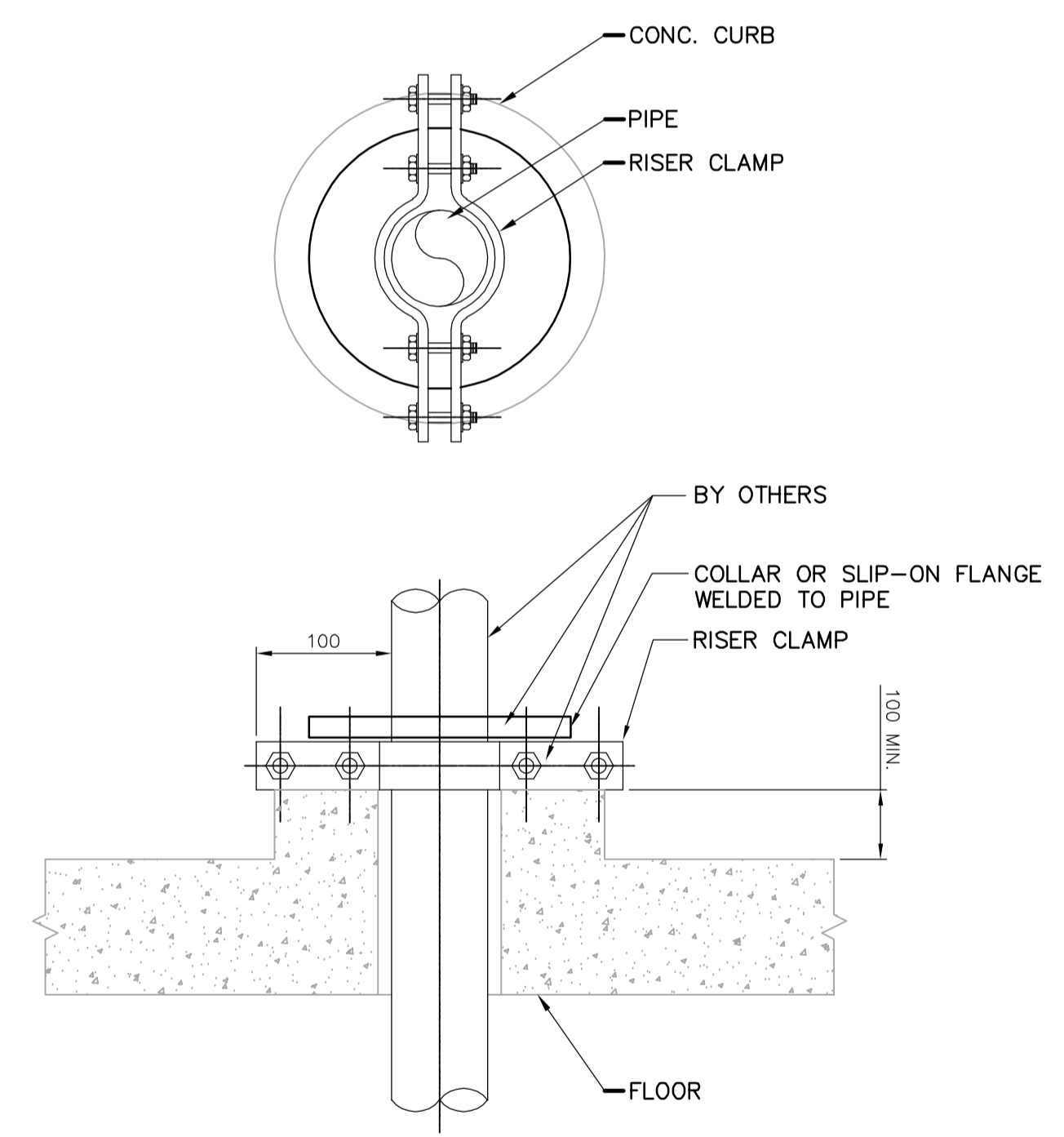
FLOOR SLEEVE

NOTES:
 1. COAT SLEEVE WITH SPECIFIED PAINT SYSTEM BEFORE CONCRETE PLACEMENT HOT DIP GALVANIZE IF NO COATING IS SPECIFIED.
 2. PROVIDE WATERPROOF FIRE STOPPING FOR FIRE RATED FLOOR/WALL CONDITION. (BY OTHERS)
 3. SEE ARCHITECTURAL DRAWINGS FOR THE TYPE OF FIRE SEPARATION.
 4. DO NOT USE WHERE SUBJECT TO HYDROSTATIC PRESSURE.
 5. SLEEVE SIZE AS SHOWN HERE UNLESS OTHERWISE SHOWN IN EMBEDMENT SCHEDULE.

9 WALL AND FLOOR SLEEVE
 - N.T.S.



10 CONNECTION TO STRUCTURE UNDERGROUND PIPE
 - N.T.S.



11 VERTICAL FLOOR PENETRATION SUPPORT
 - N.T.S.

<p>APEGN Certificate of Authorization CH2M HILL Canada Ltd. No. 1441 Expiry: April 30, 2007</p>	B.M. ELEV.	<p>Frederickson Cooper ARCHITECTS</p>	<p>EarthTech A Tyco International Ltd. Company</p>	ENGINEER'S SEAL	<p>THE CITY OF WINNIPEG WATER AND WASTE DEPARTMENT ENGINEERING DIVISION</p>	
	DESIGNED BY DC			CHECKED BY JS		ORIGINAL SIGNED BY P. WOBMA
	DRAWN BY EK			APPROVED BY DJT		2006/02/06
	SCALE: NONE			RELEASED FOR CONSTRUCTION BY: R. SOROKOWSKI		CONSULTANT DRAWING NO. WB-M9452
01 742-2005 ADDENDUM 3 06/05/05 DC	00 ISSUED FOR TENDER 2006/02/03 DC	DATE 2005/09/12	DATE 2006/02/08	WATER TREATMENT PLANT MAIN BUILDING MECHANICAL AND ELECTRICAL	CITY FILE NUMBER	
NO. REVISIONS	DATE BY			PROCESS MECHANICAL	SHEET OF	
				STANDARD DETAILS	CITY DRAWING NUMBER 1-0601B-A-M9452-001-01D	