

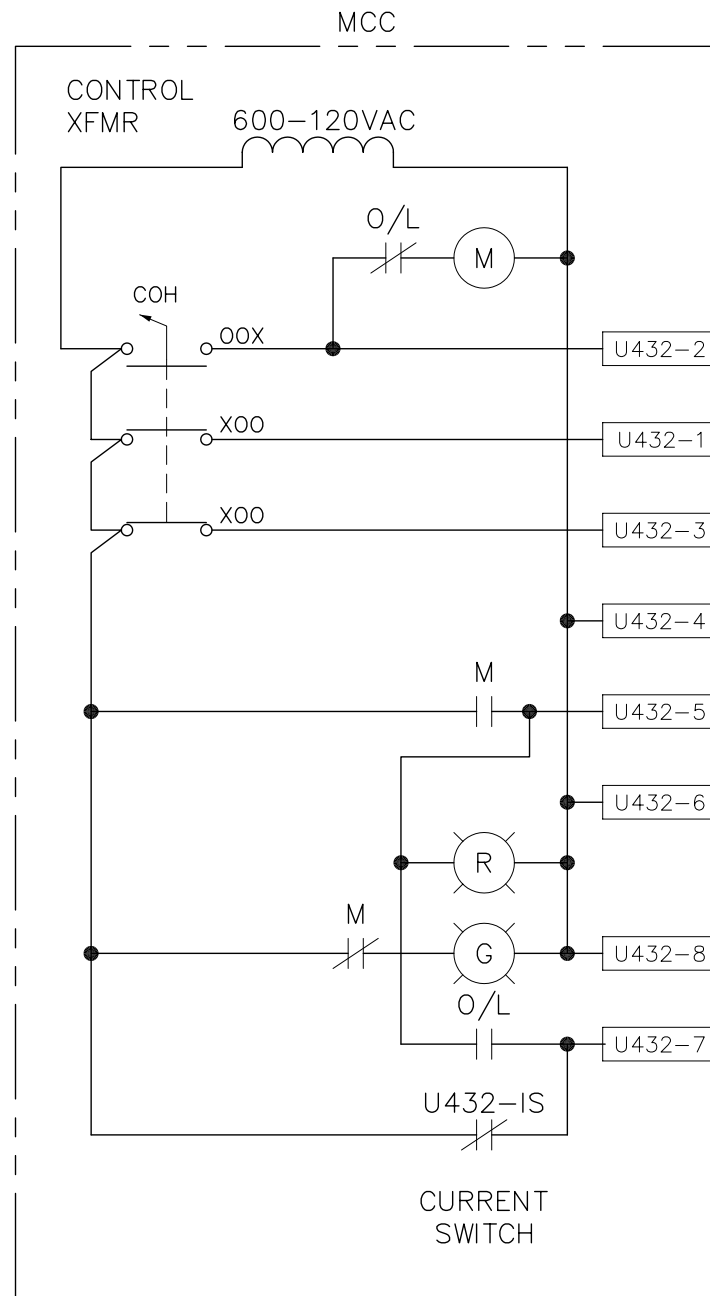
INSTRUMENT LOOP DIAGRAM

LOOP NO. U432

FIELD

UV CONTROL PANEL  
UVCP1

DCS



U432-1

U432-2

U432-2

U432-1

U432-3

U432-3

U432-4

U432-4

U432-5

U432-5

U432-6

U432-6

U432-8

U432-7

U432-8

U432-7

UA-U432-MN DISCRETE OUTPUT  
START COMMAND

UA-U432-YS DISCRETE INPUT  
COMPUTER CONTROL STATUS

UA-U432-MM DISCRETE INPUT  
RUNNING STATUS

UA-U432-UF DISCRETE INPUT  
NOT FAULTED

**NOTE:**  
1. LOOP U432 SHOWN.  
TYPICAL FOR LOOPS U434, U451,  
U452, U467, U468, U465, U460,  
U463, U464 U461, U462, U483,  
U484, U481, U482, U485.  
2. PUMPS DO NOT HAVE  
CURRENT SWITCH OR FAULT  
STATUS AT DCS.



Earth Tech (Canada) Inc. Winnipeg, Manitoba 204.477.5381



**THE CITY OF WINNIPEG**  
**WATER AND WASTE DEPARTMENT**  
NEWPCC – SECONDARY EFFLUENT UV DISINFECTION FACILITY

SCALE AS NOTED  
DATE 05 02 18  
DES B JL DWN ERC  
CKD BLM APP SWT

05/02/18	ISSUED FOR TENDER	SWT
DATE	REVISION	APP.

INSTRUMENT LOOP DIAGRAM  
TYPICAL HVAC FVNR MOTOR STARTER

DRAWING NO.  
ILD-19