

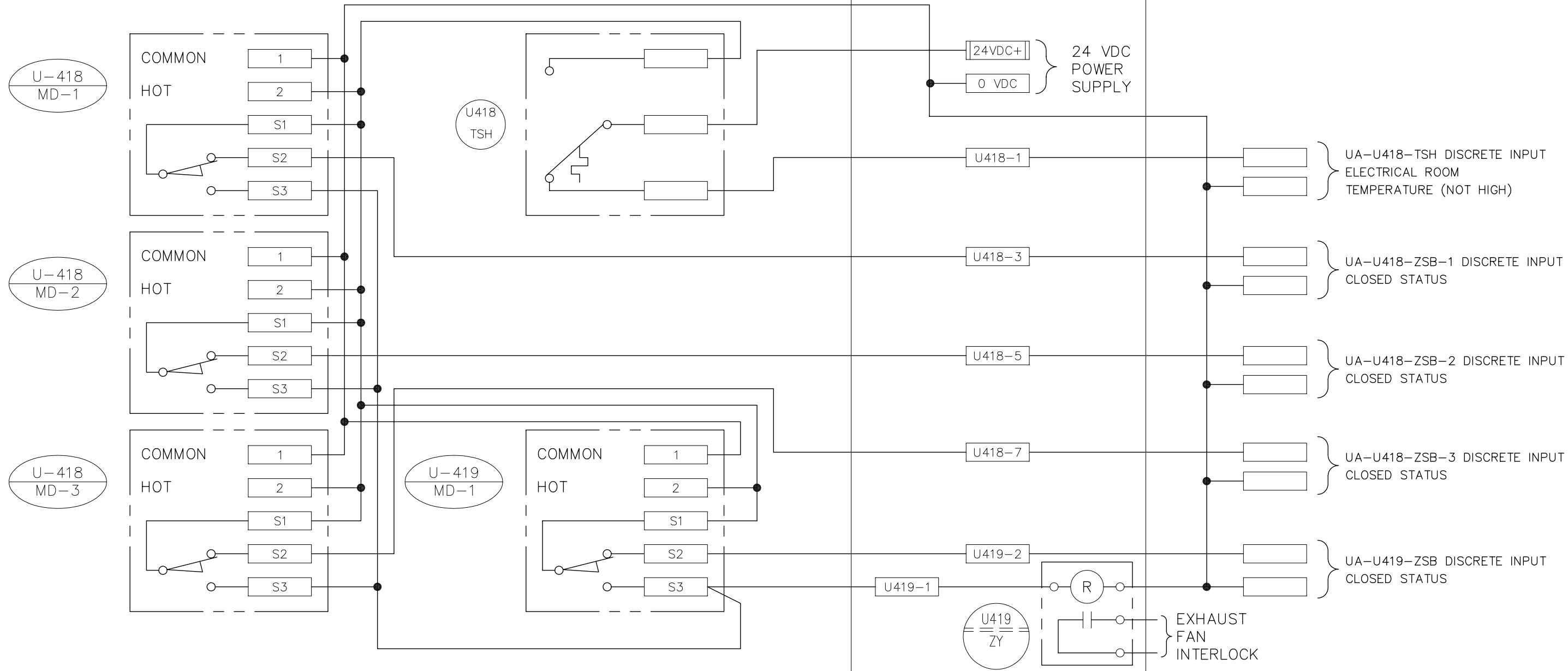
INSTRUMENT LOOP DIAGRAM

LOOP NO. U418

FIELD

UV CONTROL PANEL
UVCP1

DCS



NOTE:



Earth Tech (Canada) Inc. Winnipeg, Manitoba 204.477.5381



THE CITY OF WINNIPEG

WATER AND WASTE DEPARTMENT

NEWPCC - SECONDARY EFFLUENT UV DISINFECTION FACILITY

SCALE AS NOTED
DATE 05 02 18
DES B JL DWN CPG
CKD BLM APP SWT

05/02/18	ISSUED FOR TENDER	SWT
DATE	REVISION	APP.

INSTRUMENT LOOP DIAGRAM
ELECTRICAL ROOM COOLING

DRAWING NO.
ILD-17