

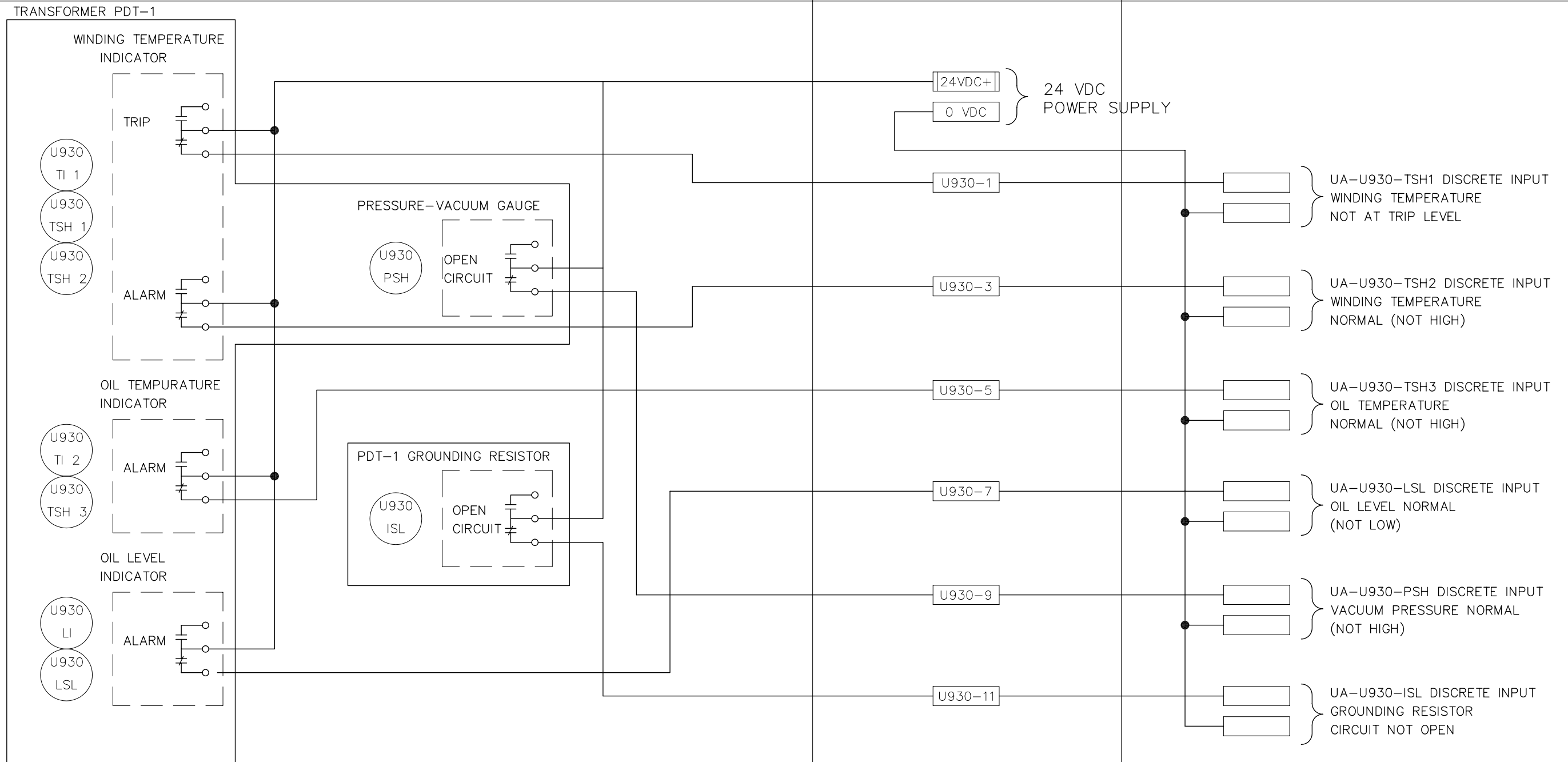
INSTRUMENT LOOP DIAGRAM

LOOP NO. U930

FIELD

UV CONTROL PANEL
UVCP1

DCS



NOTE:



Earth Tech (Canada) Inc. Winnipeg, Manitoba 204.477.5381



THE CITY OF WINNIPEG

WATER AND WASTE DEPARTMENT

NEWPCC - SECONDARY EFFLUENT UV DISINFECTION FACILITY

SCALE AS NOTED

DATE 05 01 26

DES B JL DWN JBC

CKD BLM APP SWT

05/02/18	ISSUED FOR TENDER	SWT
DATE	REVISION	APP.

INSTRUMENT LOOP DIAGRAM
OIL FILLED TRANSFORMER PDT-1

DRAWING NO.

ILD-07