

INSTRUMENT LOOP DIAGRAM

LOOP NO. U102

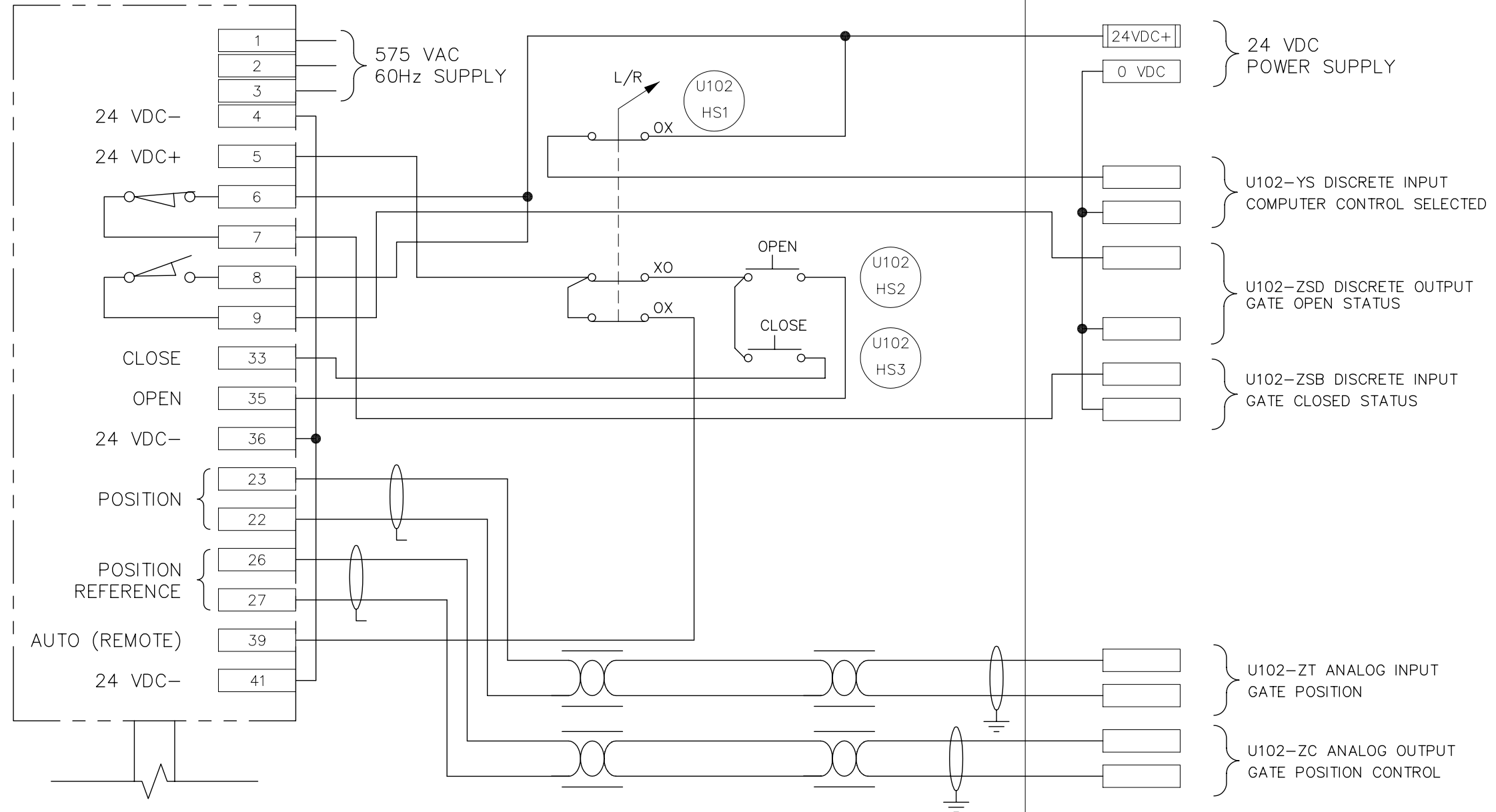
U.V. PROCESS AREA

U.V. SYSTEM CONTROL CENTRE (SCC)

U-100
SG-1

GATE ACTUATOR
(SHOWN IN GATE
CLOSED POSITION)

MOTORIZED WEIR GATE WG-U102
REPEAT FOR LOOP U202, AND U302



NOTE:

LOOP U102 SHOWN. TYPICAL FOR
LOOPS U202, U302



Earth Tech (Canada) Inc. Winnipeg, Manitoba 204.477.5381



THE CITY OF WINNIPEG

WATER AND WASTE DEPARTMENT

NEWPCC - SECONDARY EFFLUENT UV DISINFECTION FACILITY

SCALE AS NOTED
DATE 05 01 26
DES B JL DWN JBC
CKD BLM APP SWT

05/02/18	ISSUED FOR TENDER	SWT
DATE	REVISION	APP.

INSTRUMENT LOOP DIAGRAM
TYPICAL MOTORIZED WEIR GATE

DRAWING NO.
ILD-05