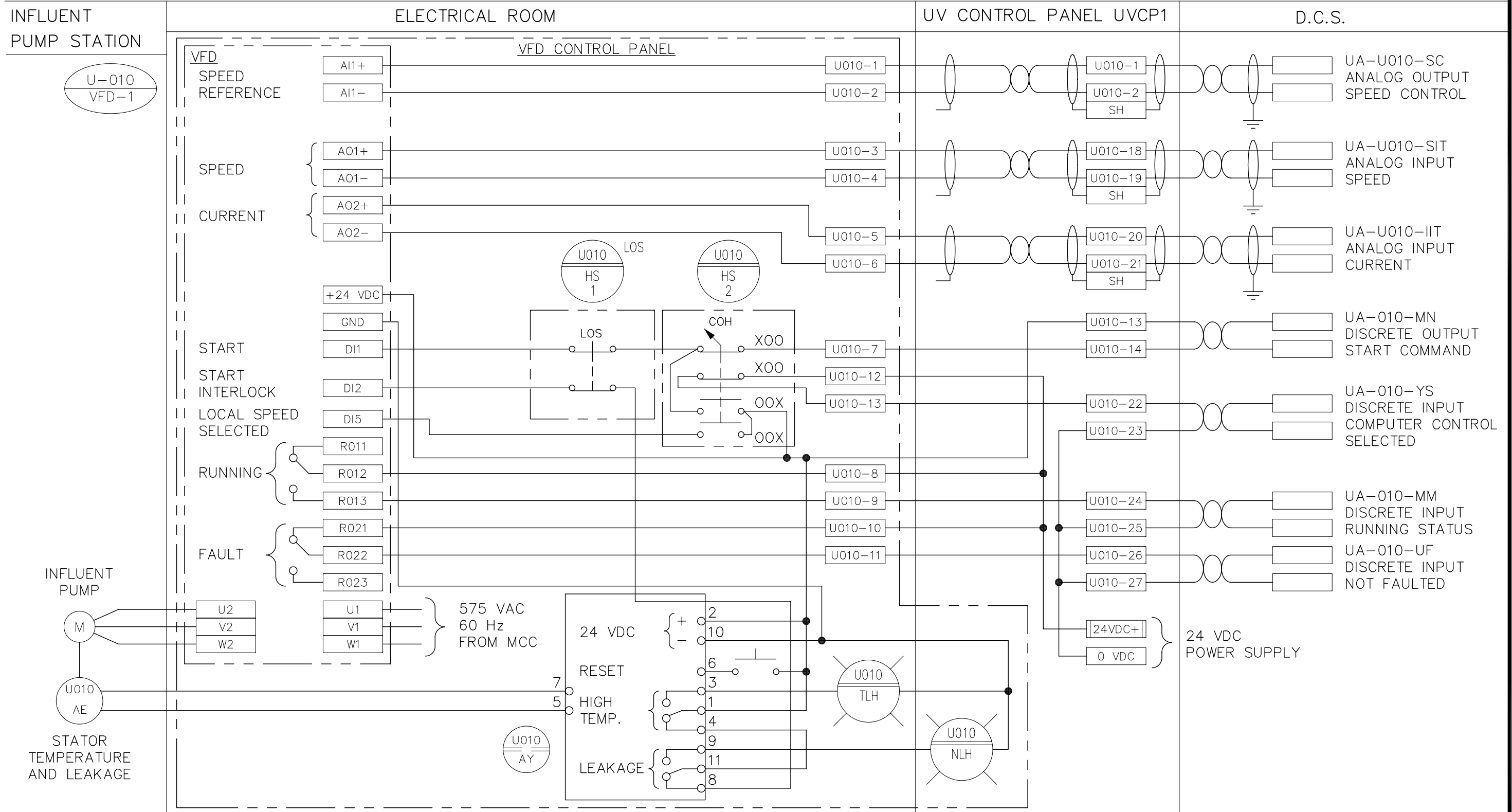


INSTRUMENT LOOP DIAGRAM

LOOP NO. U010



**NOTE:**  
LOOP U010 SHOWN. TYPICAL FOR  
LOOPS U020, U030, U040, U050



Earth Tech (Canada) Inc. Winnipeg, Manitoba 204.477.5381



**THE CITY OF WINNIPEG**

**WATER AND WASTE DEPARTMENT**

NEWPCC - SECONDARY EFFLUENT UV DISINFECTION FACILITY

SCALE AS NOTED  
DATE 05 01 26  
DES B JL DWN JBC  
CKD BLM APP SWT

05/02/18	ISSUED FOR TENDER	SWT
DATE	REVISION	APP.

INSTRUMENT LOOP DIAGRAM  
TYPICAL INFLUENT PUMP DRIVE

DRAWING NO.  
ILD-03