

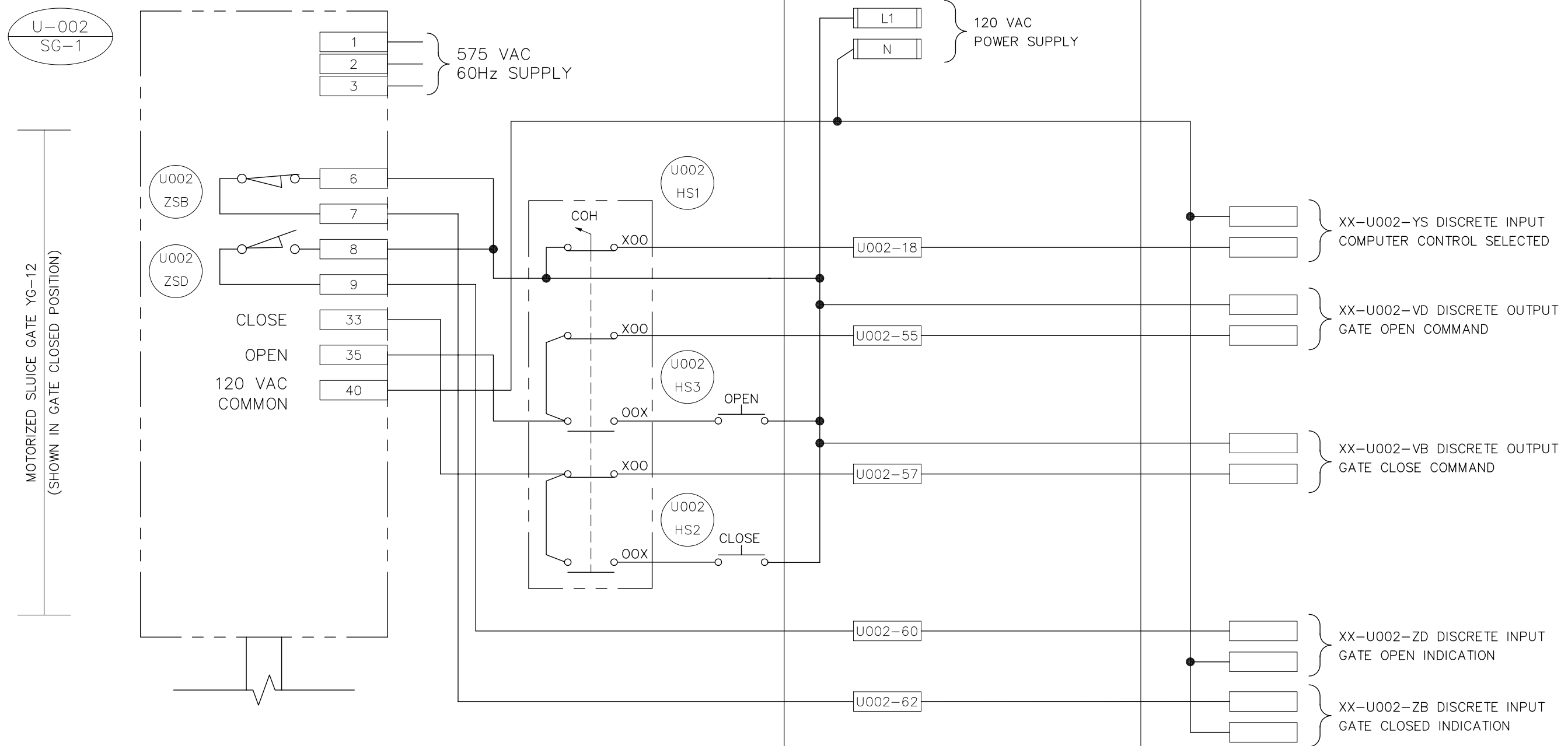
INSTRUMENT LOOP DIAGRAM

LOOP NO. U002

EFFLUENT GATE CHAMBER

GRIT BUILDING CONTROL PANEL

D.C.S.



NOTE:



Earth Tech (Canada) Inc. Winnipeg, Manitoba 204.477.5381



THE CITY OF WINNIPEG

WATER AND WASTE DEPARTMENT

NEWPCC - SECONDARY EFFLUENT UV DISINFECTION FACILITY

SCALE AS NOTED

DATE 05 01 26

DES B JL DWN JBC

CKD BLM APP SWT

05/02/18	ISSUED FOR TENDER	SWT
DATE	REVISION	APP.

INSTRUMENT LOOP DIAGRAM
TYPICAL MOTORIZED SLUICE GATE

DRAWING NO.

ILD-01