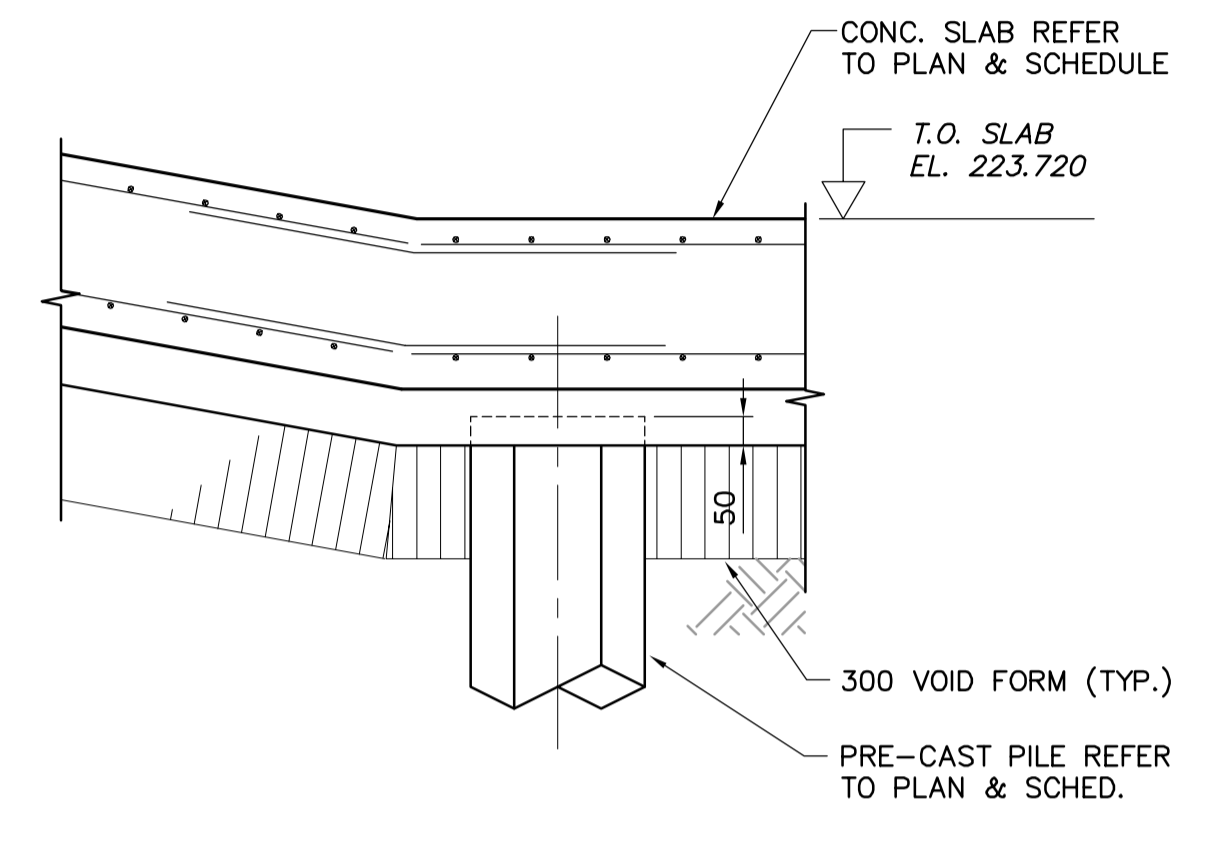
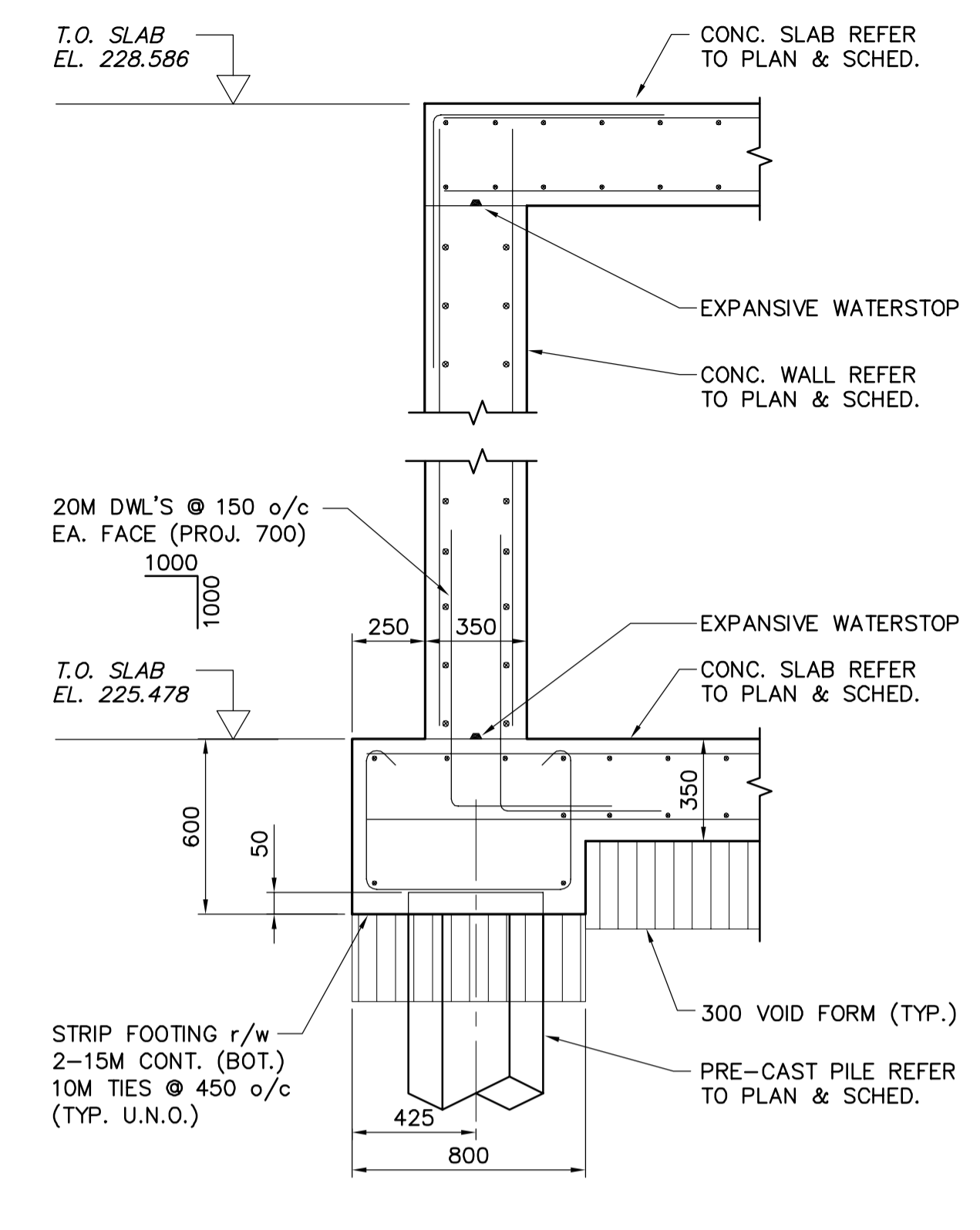


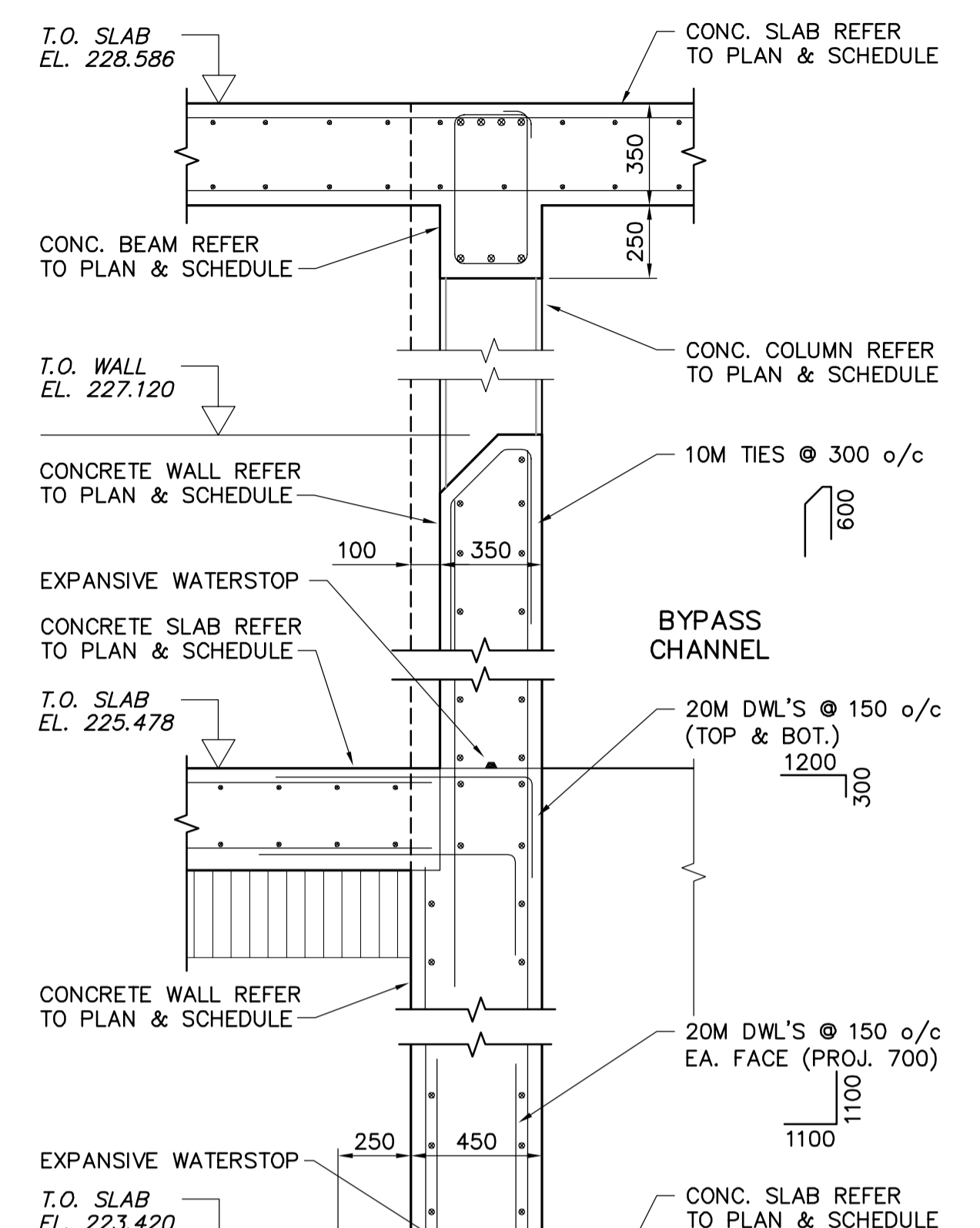
**L DETAIL**  
S3.01 1:20



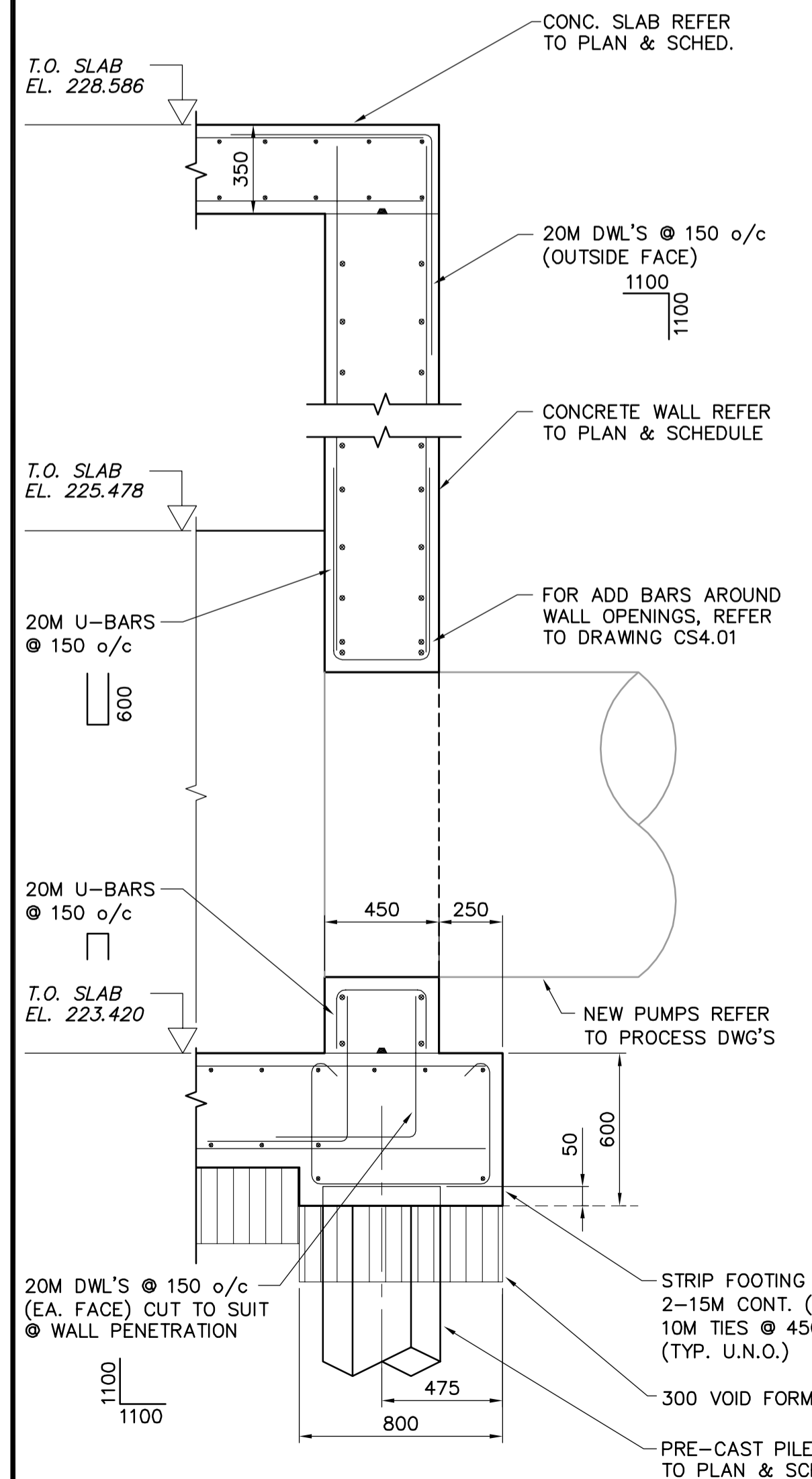
**M DETAIL**  
S3.01 1:20



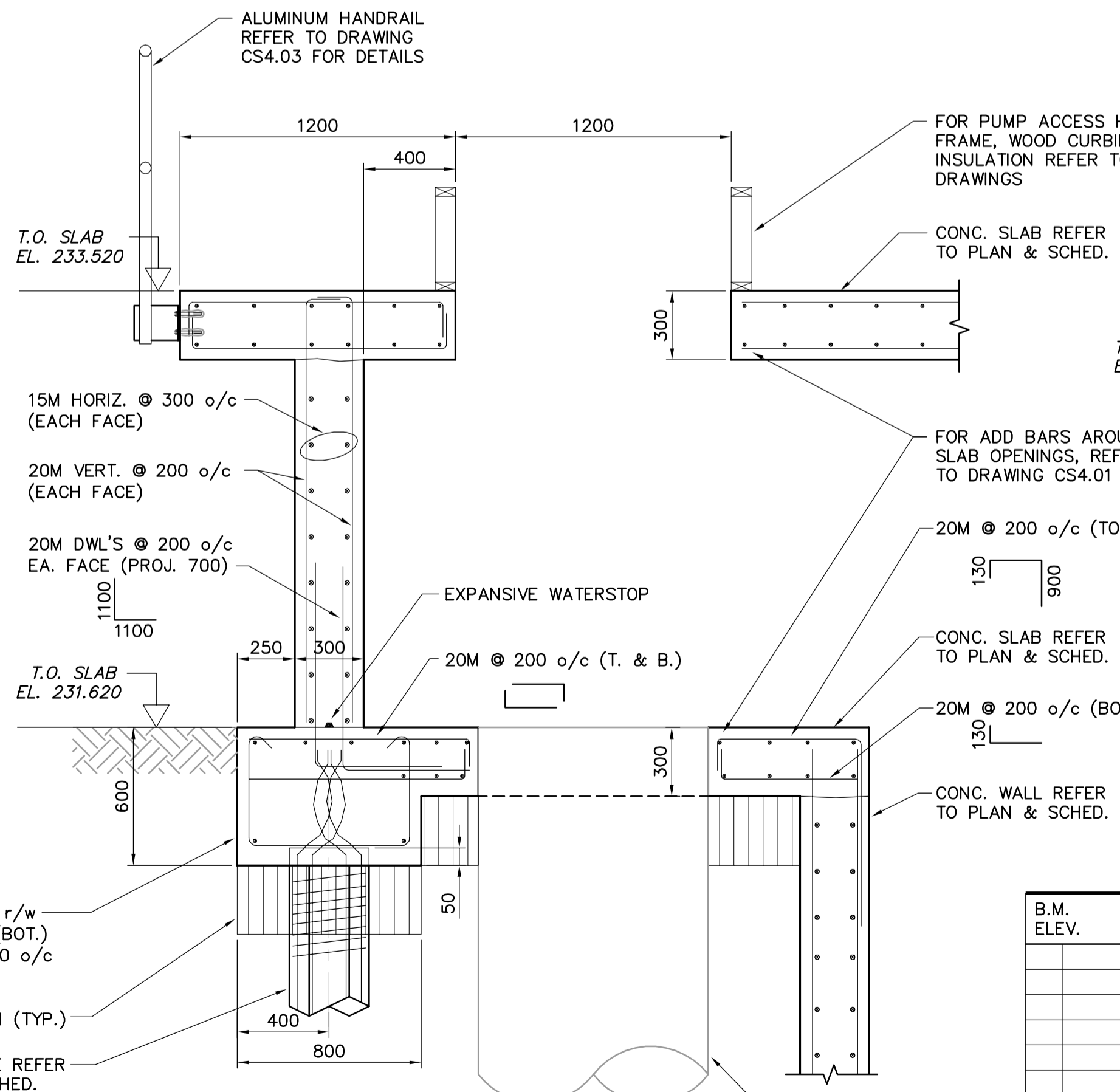
**N DETAIL**  
S3.02 1:20



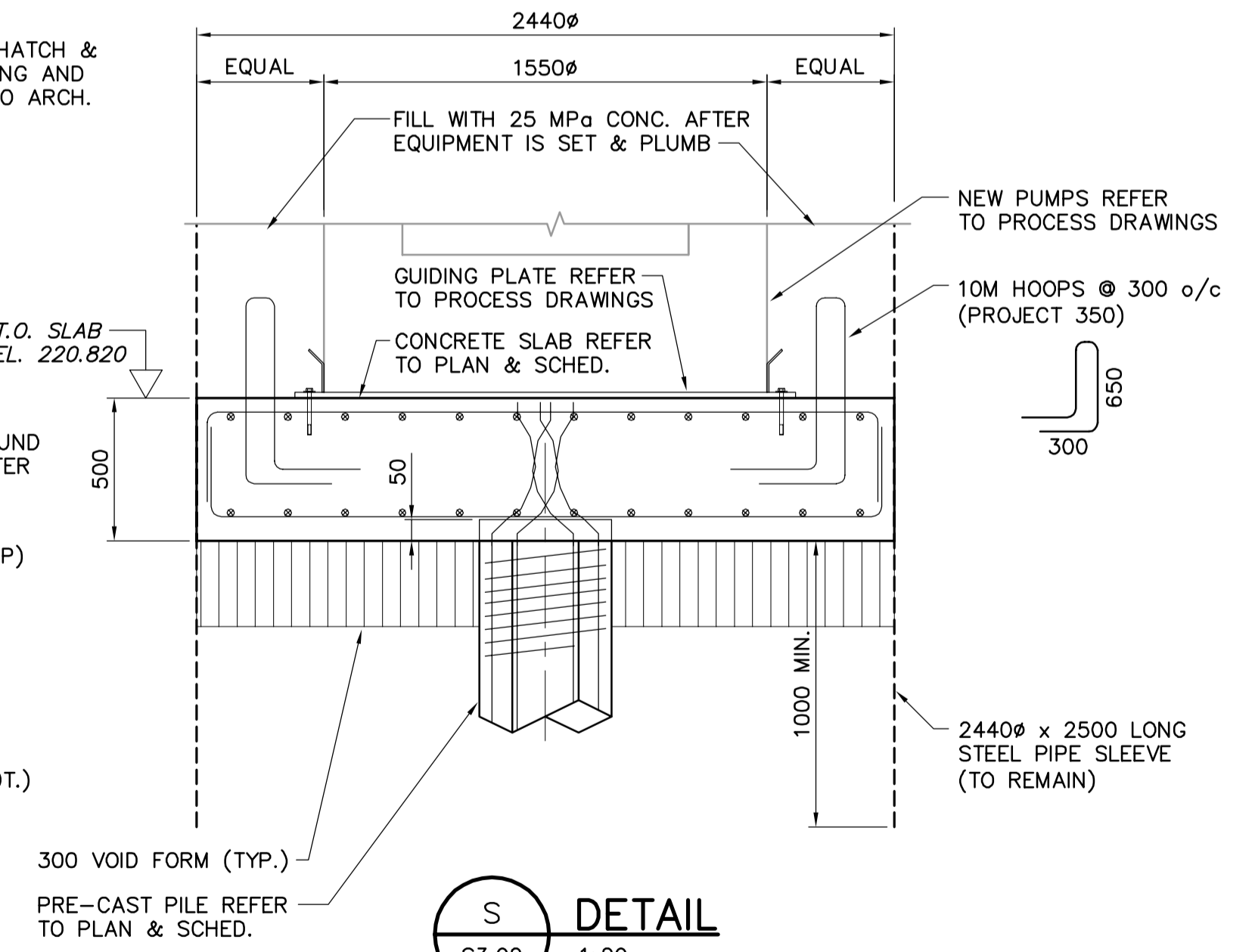
**P DETAIL**  
S3.02 1:20



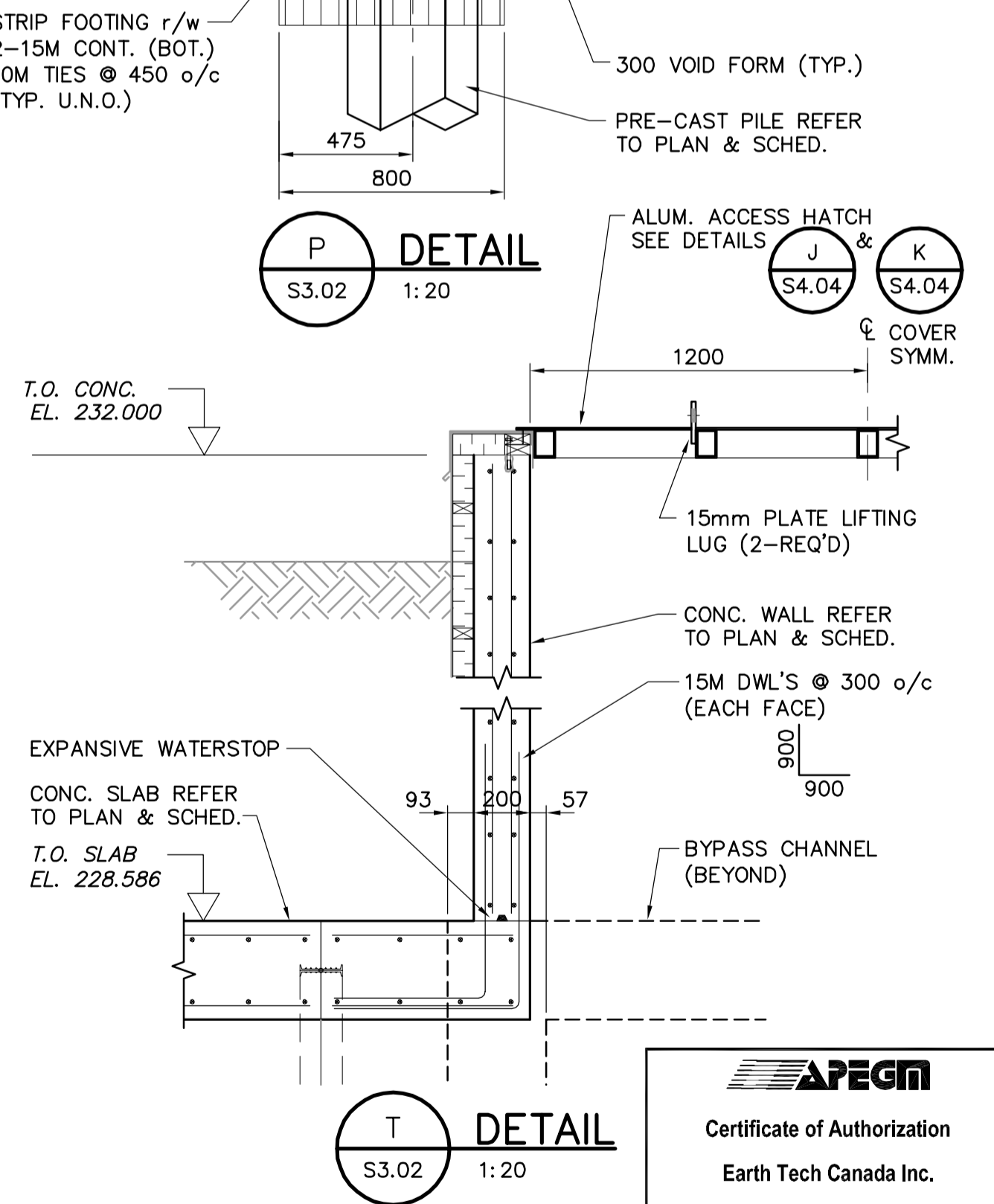
**Q DETAIL**  
S3.02 1:20



**R DETAIL**  
S3.02 1:20



**S DETAIL**  
S3.02 1:20



**T DETAIL**  
S3.02 1:20

B.M. ELEV.	<b>EARTH TECH</b>		ENGINEER'S SEAL ORIGINAL SIGNED BY R.B. ERIC FEB. 18/05	<b>THE CITY OF WINNIPEG</b> Winnipeg WATER AND WASTE DEPARTMENT	
	Earth Tech (Canada) Inc. Winnipeg, Manitoba 204.477.5381			<b>NEWPCC - SECONDARY EFFLUENT UV DISINFECTION FACILITY</b>	
	DESIGNED BY RE, MK	CHECKED BY GGP		CITY FILE NUMBER	
	DRAWN BY CMS	APPROVED BY DT		SHEET 13 OF 18	
HOR. SCALE: AS NOTED VERTICAL SCALE: AS NOTED		RELEASED FOR CONSTRUCTION BY: T. KJARTANSON		CITY DRAWING NUMBER	
ISSUED FOR TENDER 05/02/18 JEH		DATE 2004/12/13 DATE 2005-02-18		STRUCTURAL SECTIONS AND DETAILS SHEET 2 OF 4	
NO. REVISIONS		DATE		CONSULTANT DRAWING NO. 66303D-CS4.05	