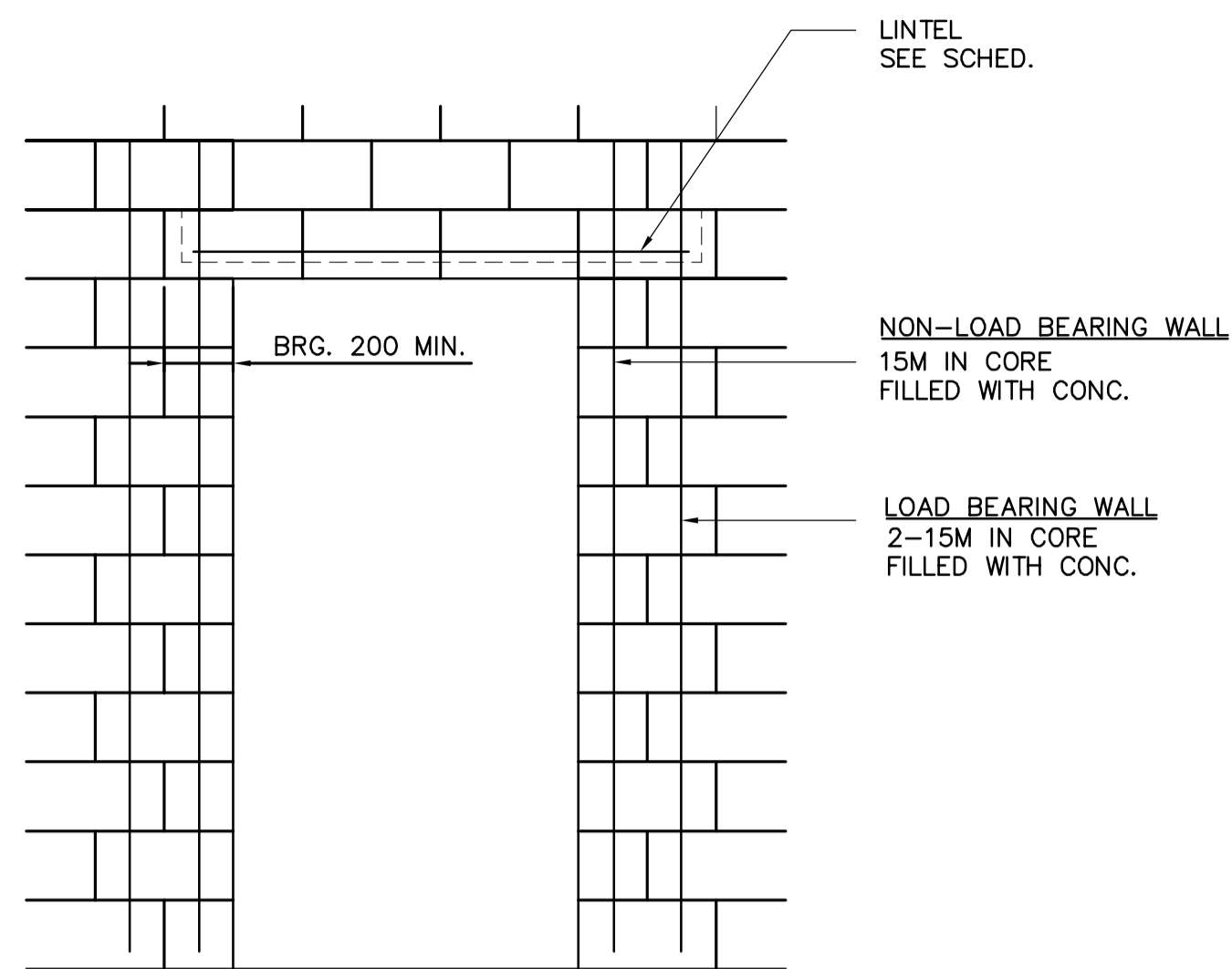
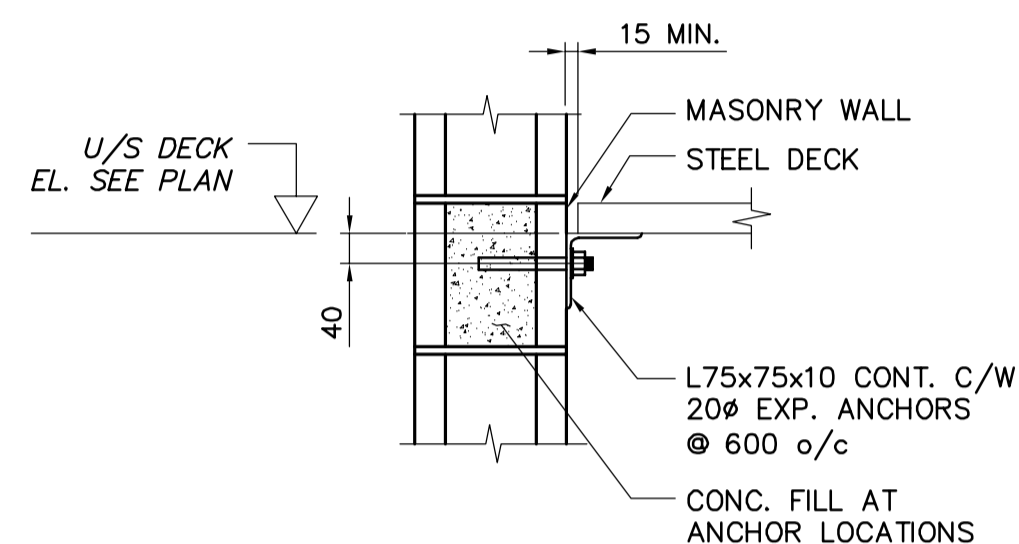
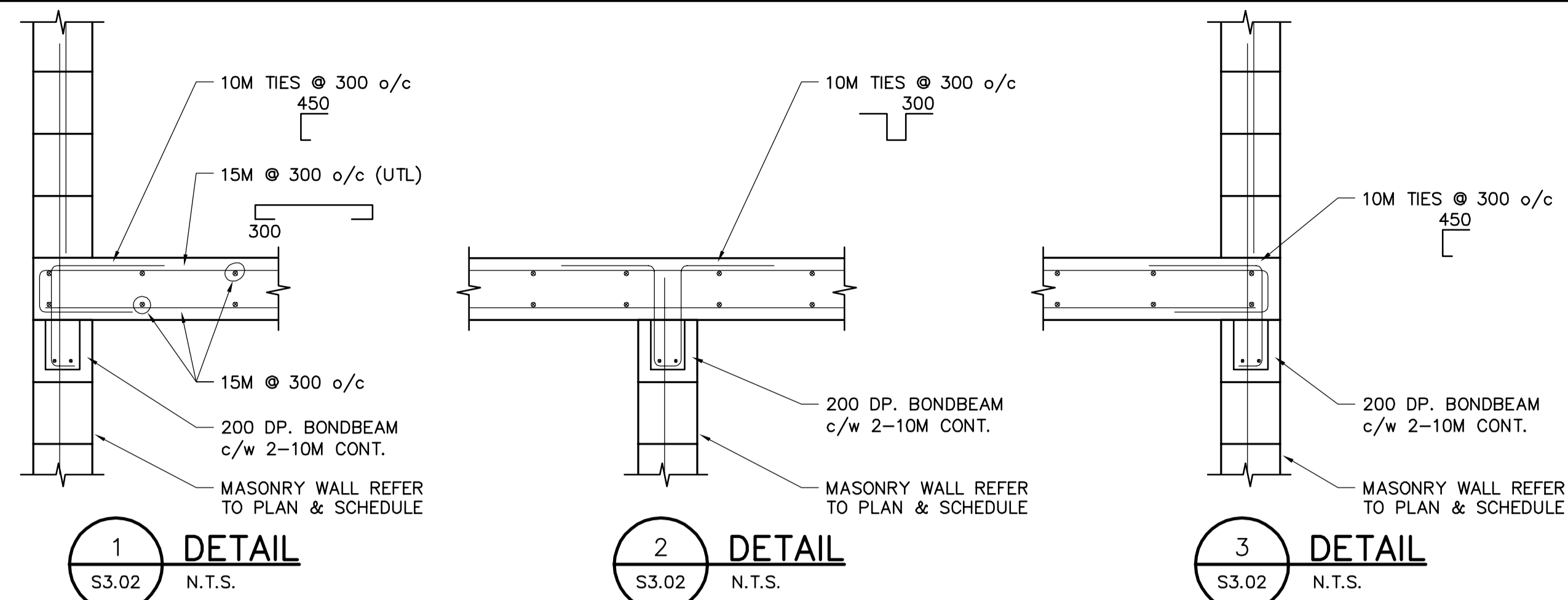


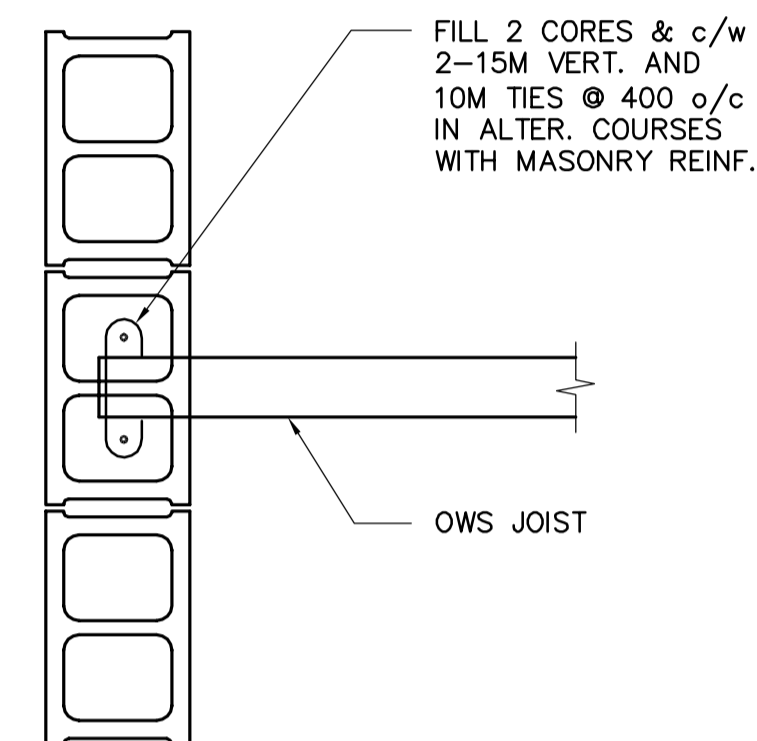
**OWSJ TO MASONRY CONNECTION**  
SCALE N.T.S.



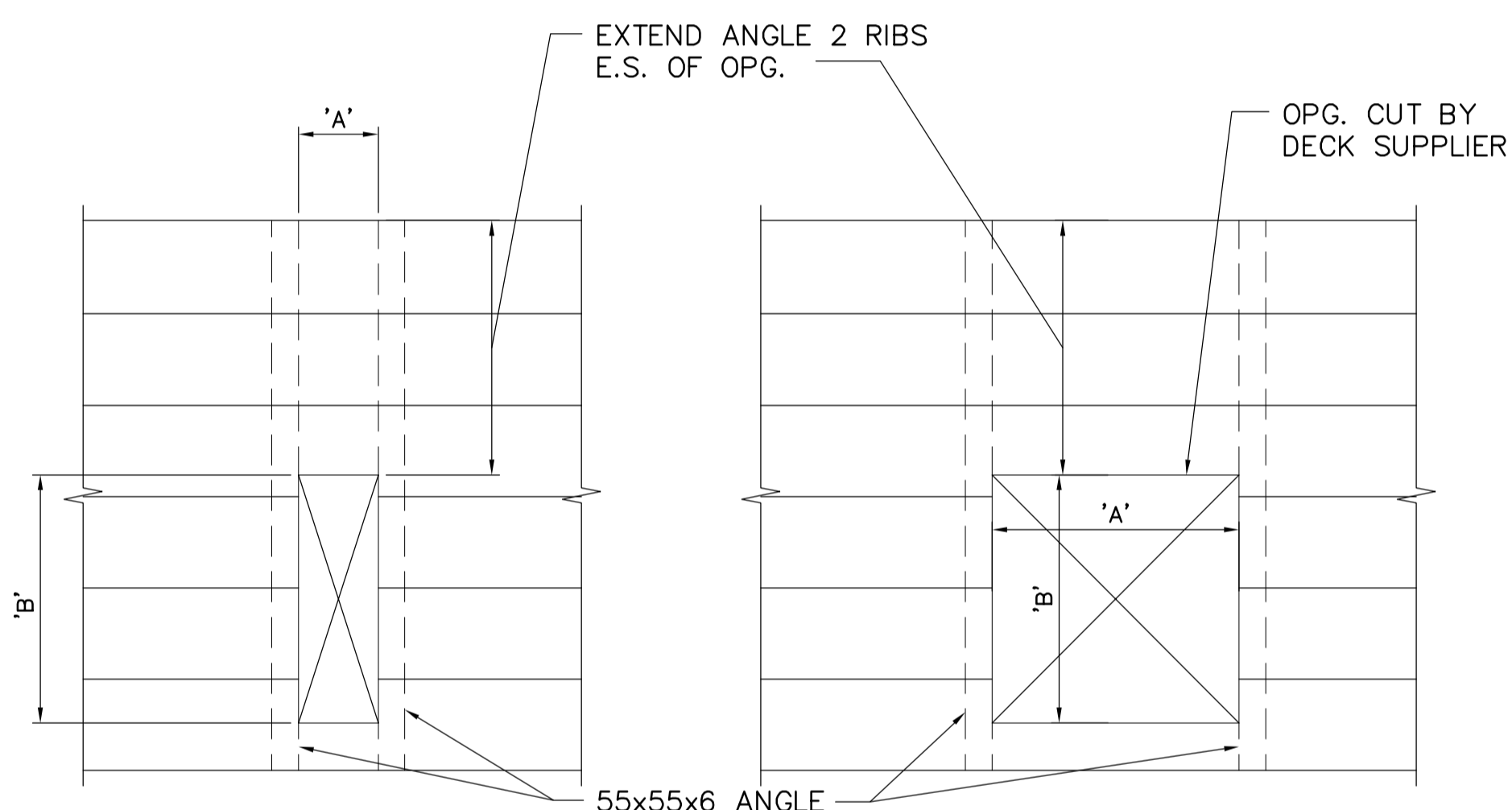
**TYPICAL BEARING FOR CONCRETE BLOCK LINTELS**  
SCALE N.T.S.



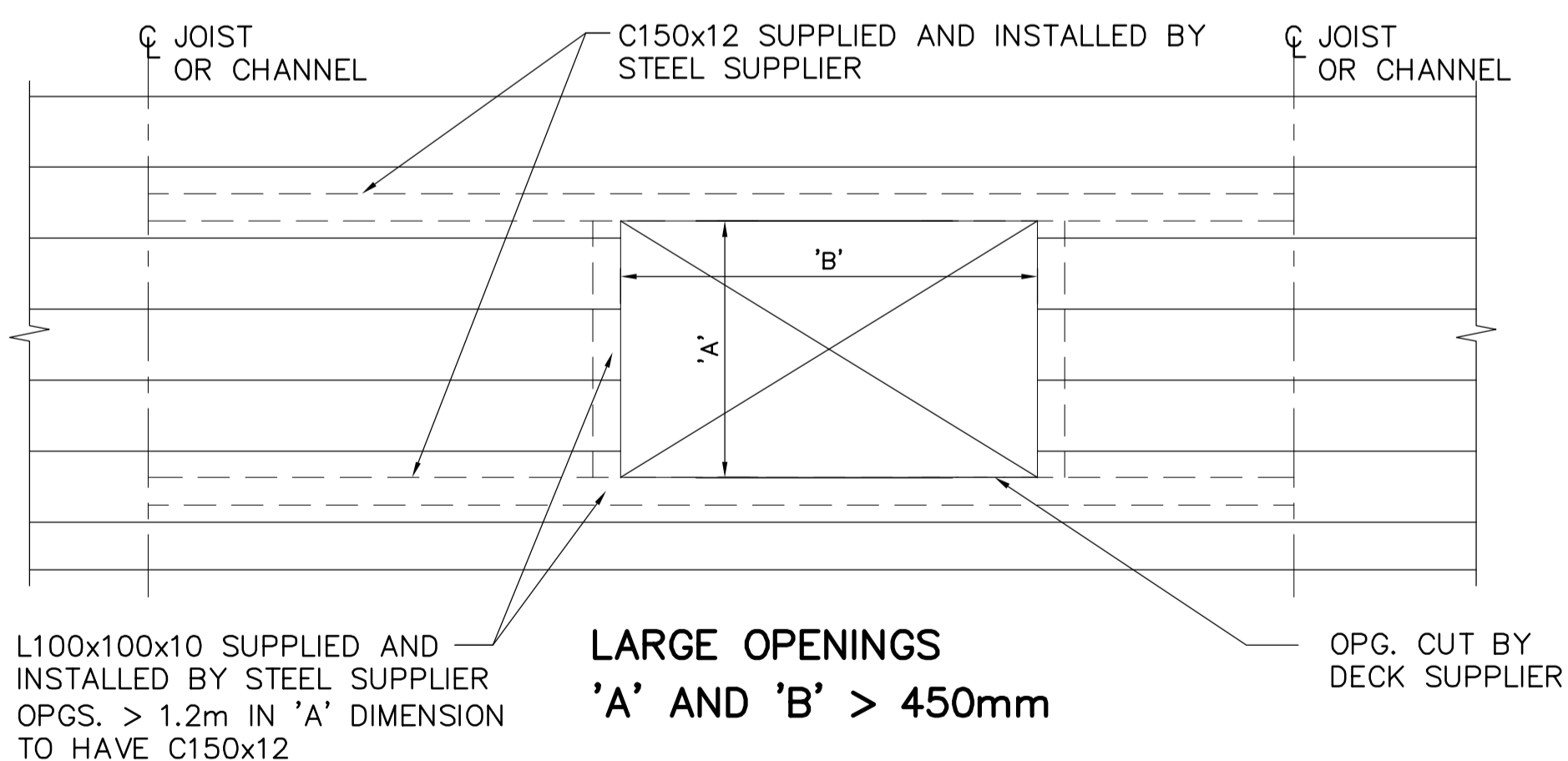
**STEEL DECK SUPPORT AT MASONRY WALL**  
SCALE N.T.S.



**TYPICAL MASONRY REINFORCING UNDER JOIST BEARING PLAN VIEW**  
SCALE N.T.S.

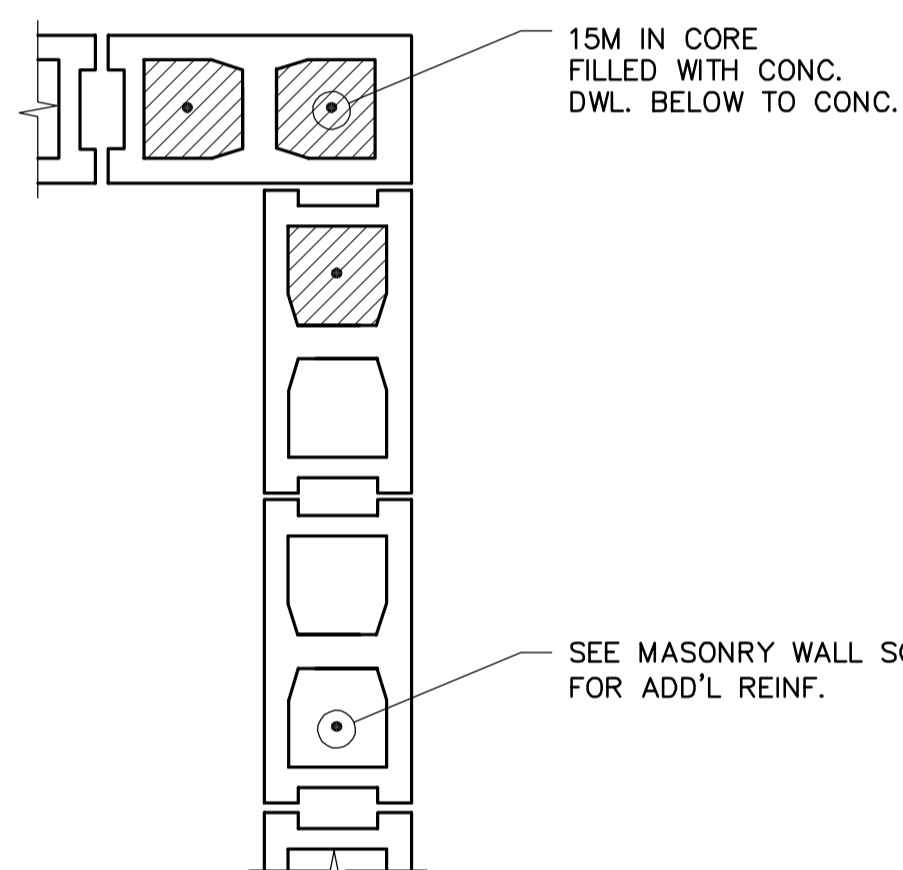


OPGS.: 'A'  $\leq$  150  
 'B'  $>$  450  
 OPGS.: 150  $<$  'A'  $<$  450  
 150  $<$  'B'  $<$  450



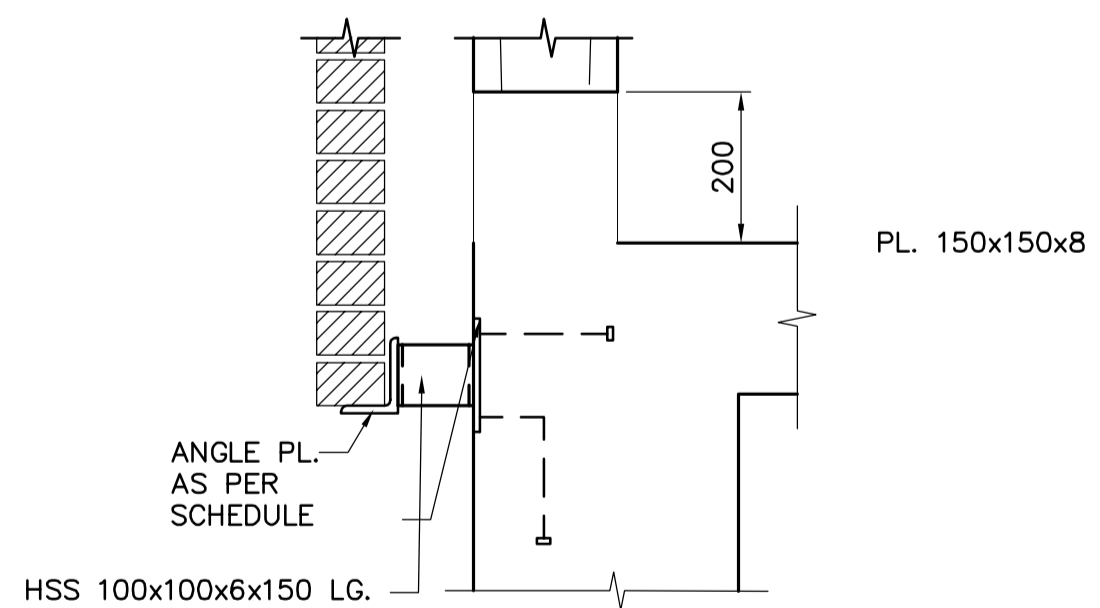
**OPENINGS THRU ROOF DECK**  
SCALE: N.T.S.

NOTE: FOR OPENINGS SIZE AND LOCATIONS SEE MECHANICAL



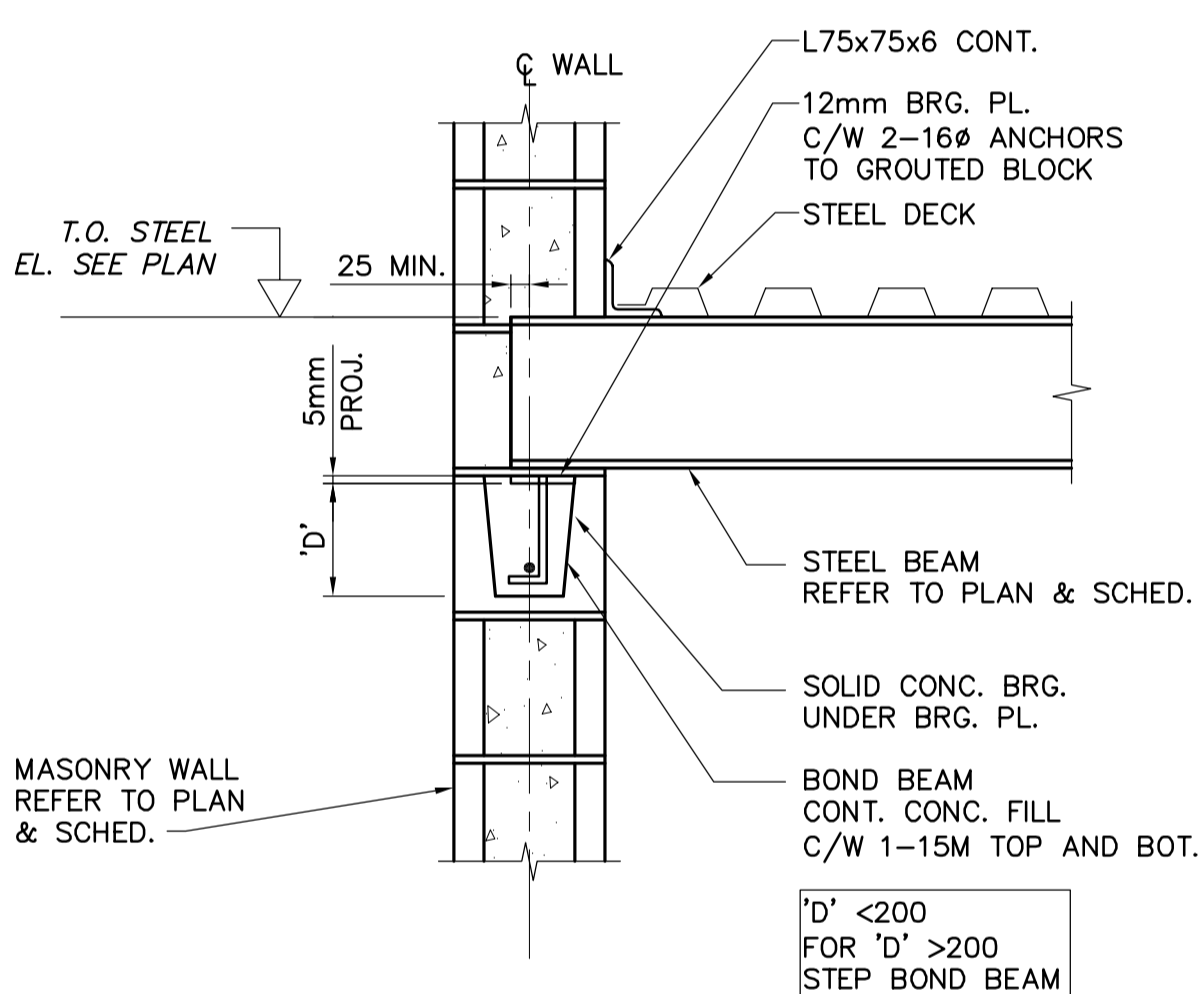
**TYPICAL VERTICAL REINFORCING DETAIL**  
SCALE N.T.S.

MASONRY WALL VERTICAL REINFORCING SHALL BE INSTALLED AT ALL CORNERS IN MASONRY WALLS & AT END OF MASONRY WALLS.

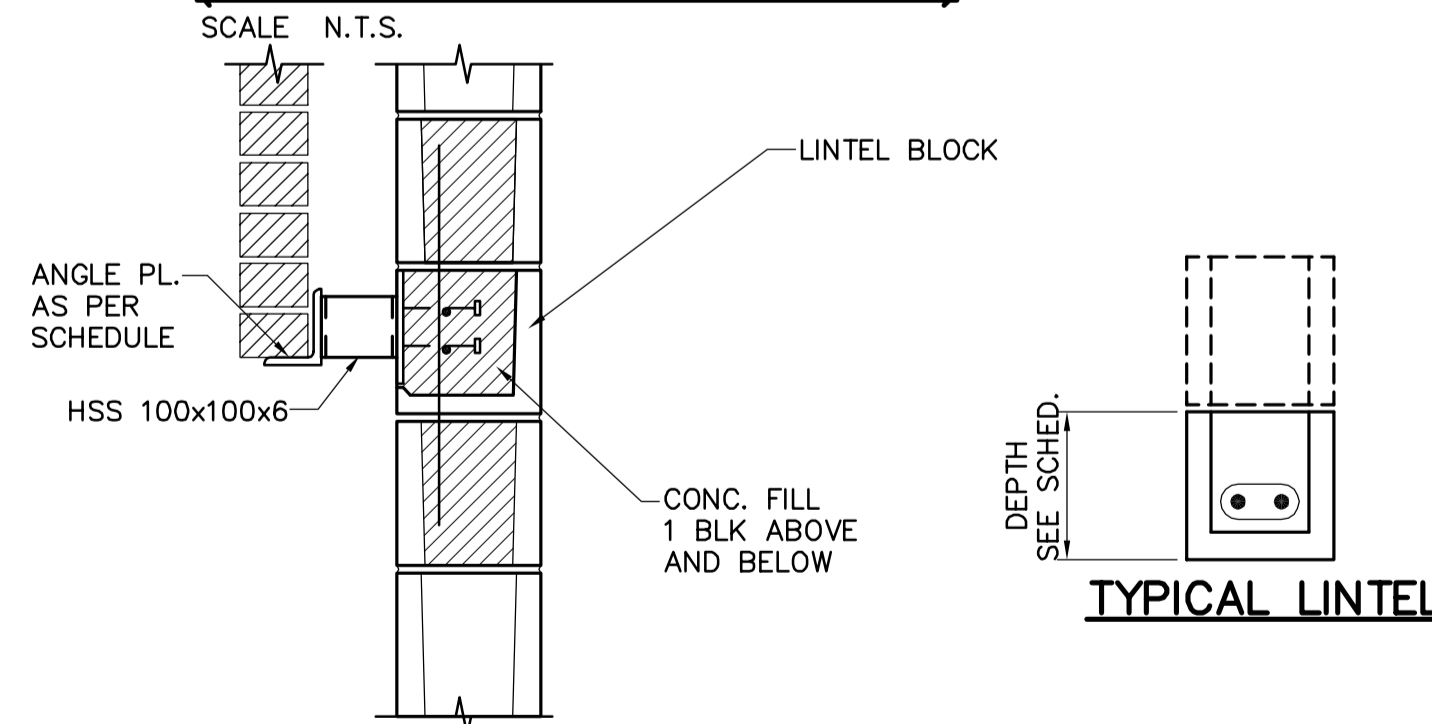


**MASONRY SUPPORT AT FOUNDATION**  
SCALE N.T.S.

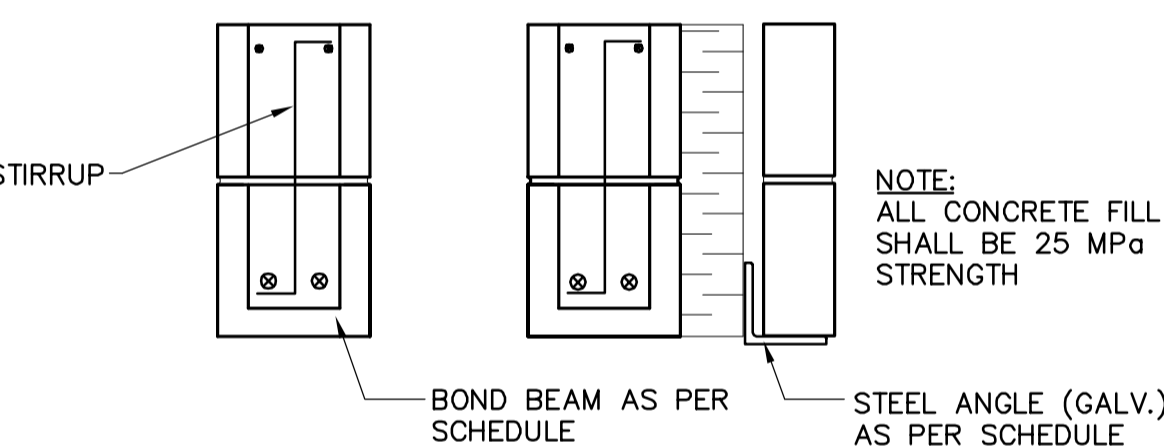
TYPE	ANGLE PL.
BRICK	L 100x90x9.5
90mm BLOCK	L 127x90x9.5
140mm BLOCK	L 127x127x9.5



**STEEL BEAM BEARING ON MASONRY WALL (CONCRETE WALL SIMILAR)**  
SCALE N.T.S.



**MASONRY SUPPORT AT WALL**  
SCALE N.T.S.



**TYPICAL BOND BEAM DETAILS**

**LINTELS**

OPENING	FACE BRICK SUPPORT	LOAD BEARING CONCRETE BLOCK	NON-LOAD BEARING CONCRETE BLOCK
0 TO 1200	L 100x90x13	400 HIGH r/w 2-15M BOT. 10M STR. $\phi$ 150	N/A
TO 2400	L 125x90x13	600 HIGH c/w 2-20M BOT. 10M STR. $\phi$ 150	N/A
TO 3600	L 150x100x13	800 HIGH c/w 2-25M BOT. 10M STR. $\phi$ 150	N/A
TO 4800	L 150x100x16	1000 HIGH c/w 2-25M B. & 2-20M T. 10M STR. $\phi$ 150	N/A
TO 5400	L 150x100x16	1200 HIGH r/w 2-25M TOP & BOT. 10M STR. $\phi$ 150	N/A

B.M. ELEV.	<b>EARTH TECH</b>		ENGINEER'S SEAL ORIGINAL SIGNED BY R.B. ERIC FEB. 18/05	<b>THE CITY OF WINNIPEG</b> Winnipeg WATER AND WASTE DEPARTMENT
	Earth Tech (Canada) Inc. Winnipeg, Manitoba 204.477.5381			
DESIGNED BY	RE, MK	CHECKED BY	GGP	CITY FILE NUMBER
DRAWN BY	C.T.	APPROVED BY	DT	
HOR. SCALE: AS NOTED VERTICAL SCALE: AS NOTED		RELEASED FOR CONSTRUCTION BY: T. KUJARTANSON		SHEET 10 OF 18
NO. REVISIONS		DATE		
0 ISSUED FOR TENDER		05/02/18 JEH		CITY DRAWING NUMBER
2004/11/04		2005-02-18		
CONSULTANT DRAWING NO. 66303D-CS4.02			<b>NEWPCC - SECONDARY EFFLUENT UV DISINFECTION FACILITY</b>	
			STRUCTURAL DETAILS	

**APEGM**  
 Certificate of Authorization  
 Earth Tech Canada Inc.  
 No. 730 Expiry: April 30, 2005