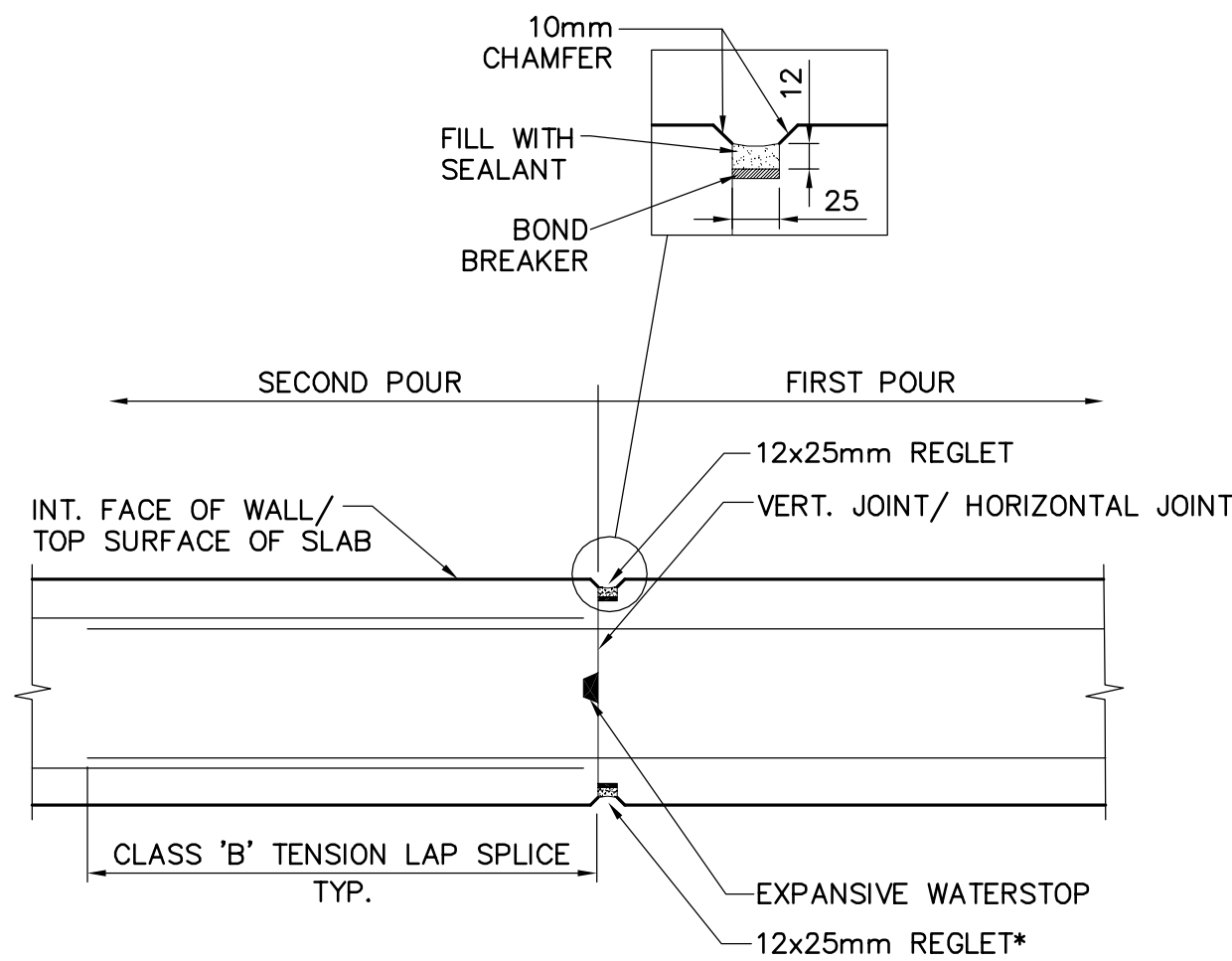


CONCRETE SLAB CONSTRUCTION JOINT

SCALE N.T.S.

HORIZONTAL REINFORCING NOT SHOWN. REFER TO SPECIFIC SECTION FOR REINFORCING DETAILS.

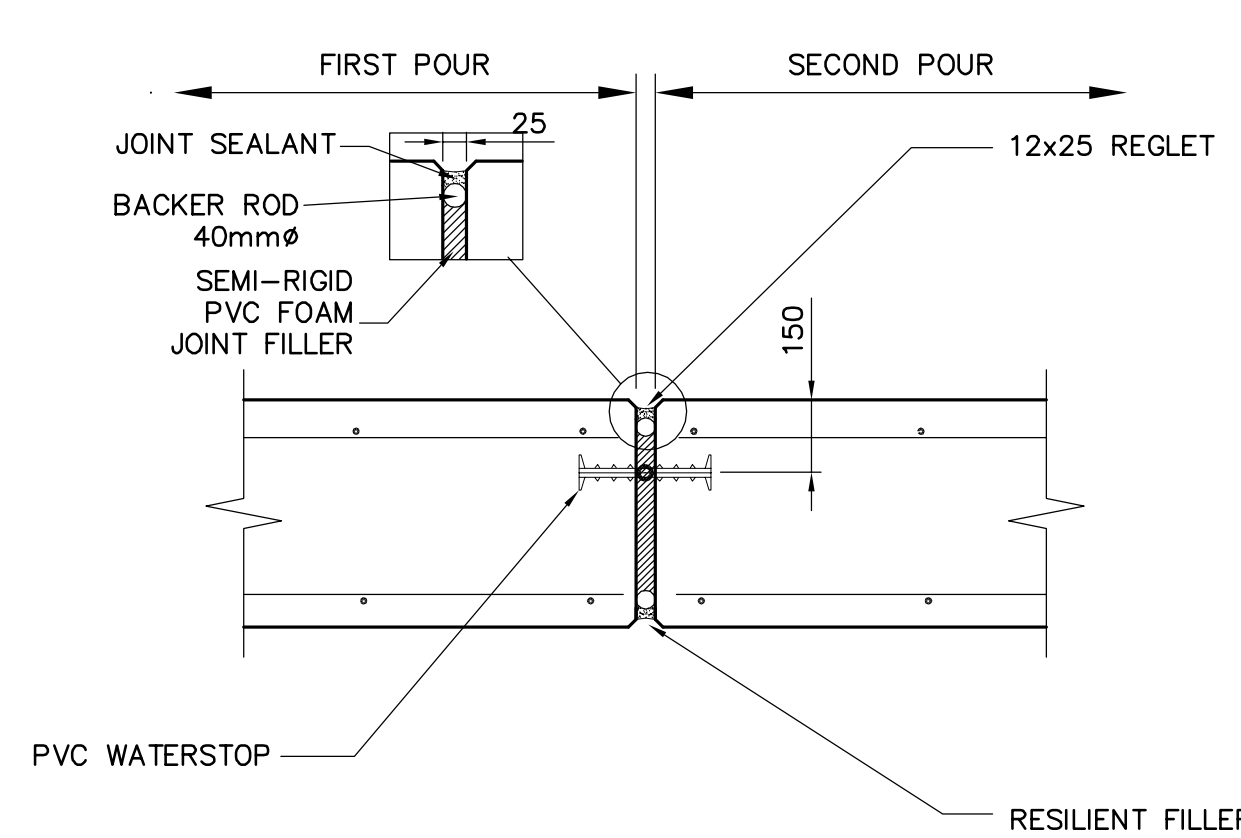


TYPICAL CONSTRUCTION JOINT

SCALE N.T.S.

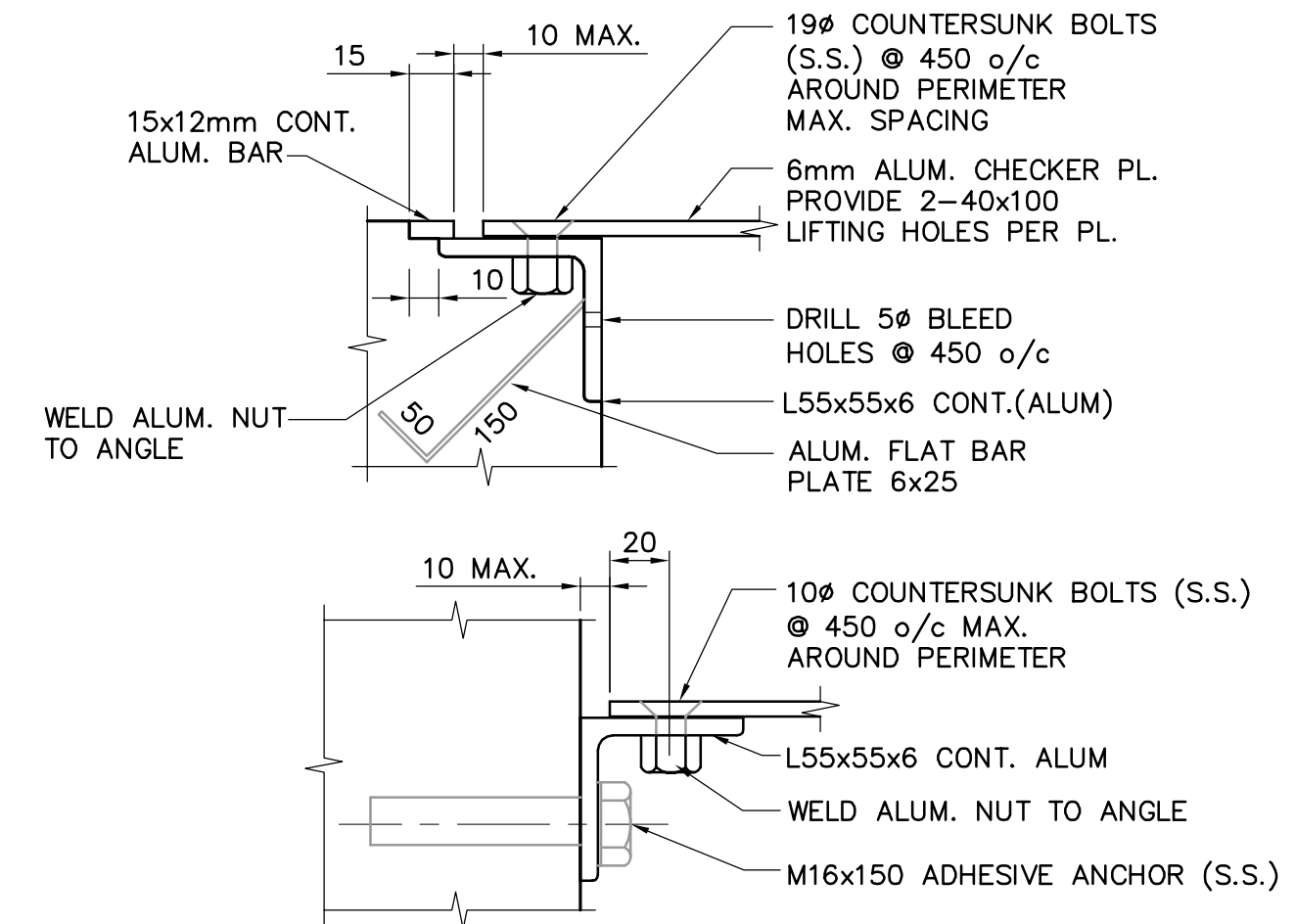
*NOT APPLICABLE FOR FLOOR SLABS

REINFORCING IN PERPENDICULAR DIRECTION NOT SHOWN. REFER TO SPECIFIC SECTION FOR REINFORCING DETAILS.



EXPANSION JOINT TYP.

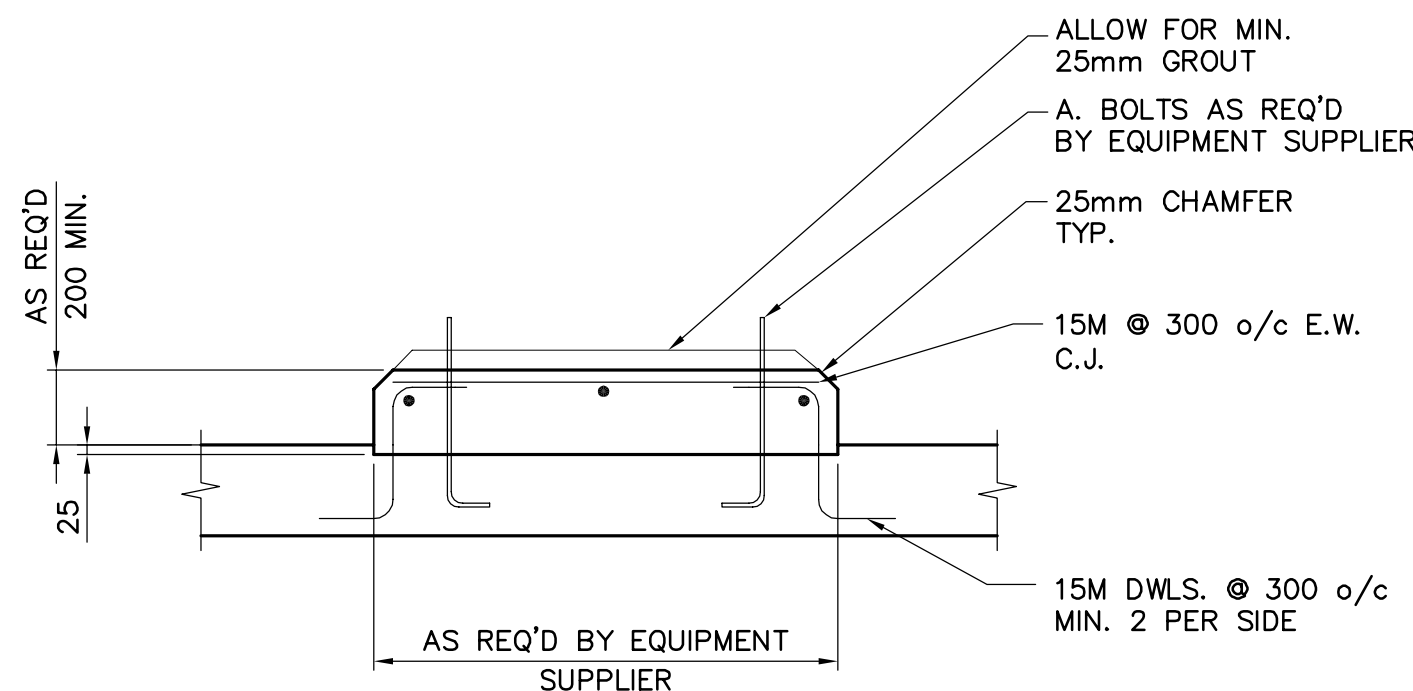
SCALE N.T.S.



TYPICAL ALUMINUM BOLTED COVER & FRAME DETAIL

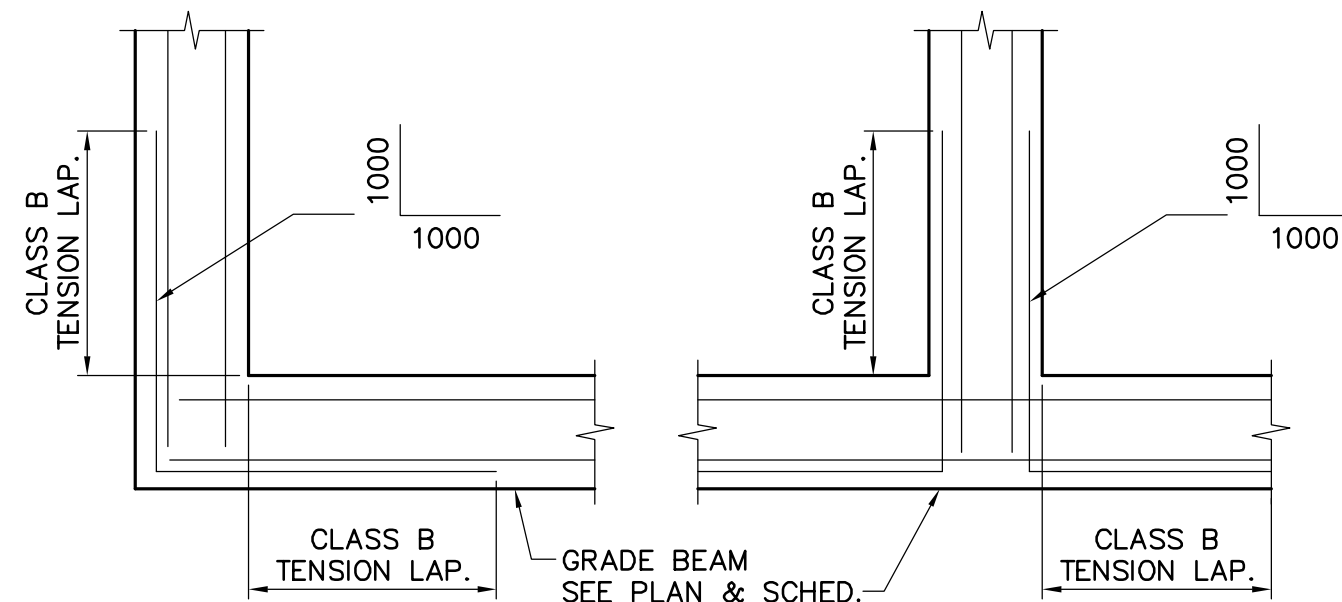
SCALE N.T.S.

REFER TO GENERAL NOTES FOR DESIGN LIVE LOADS ON COVERS. PAINT ALL ALUMINUM SURFACES IN CONTACT WITH CONCRETE WITH TWO COATS OF ALKALI-RESISTANT BITUMINOUS PAINT.



HOUSE KEEPING PADS FOR EQUIPMENT ON STRUCTURAL SLAB

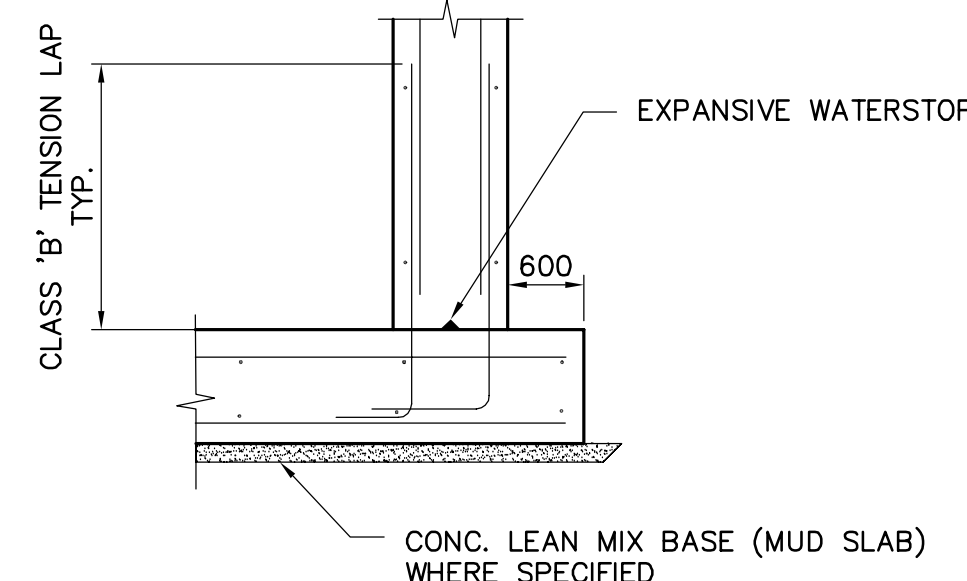
SCALE N.T.S.



TYPICAL GRADE BEAM CORNER REINFORCING

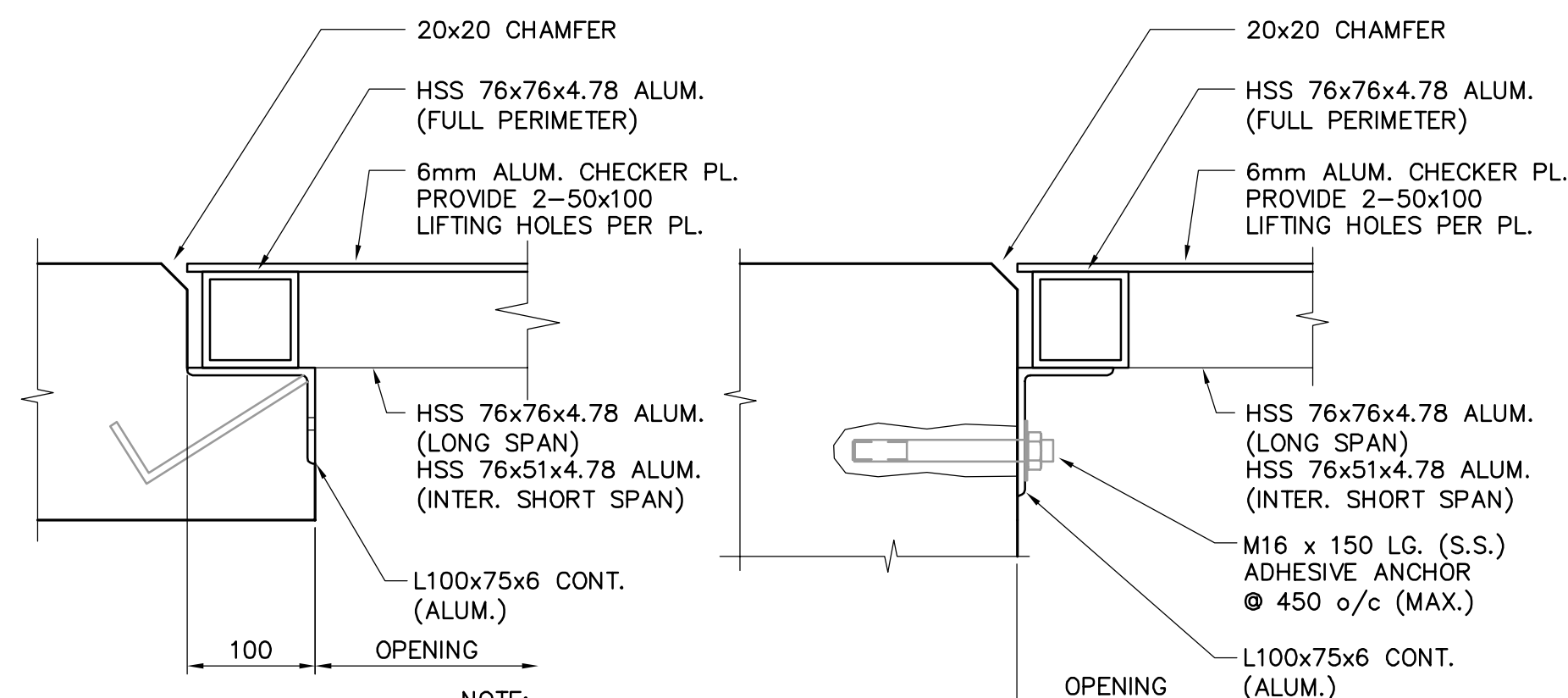
SCALE N.T.S.

CORNER BARS SAME SIZE AND SPACING AS HORIZONTAL REINFORCING



STANDARD JOINT CONSTRUCTION JOINT FOR WATER RETAINING WALL TO BASE SLAB

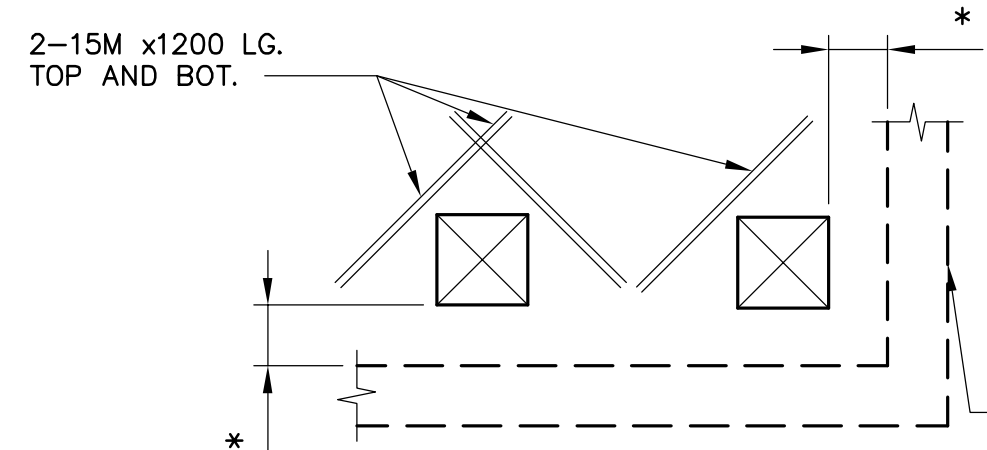
SCALE N.T.S.



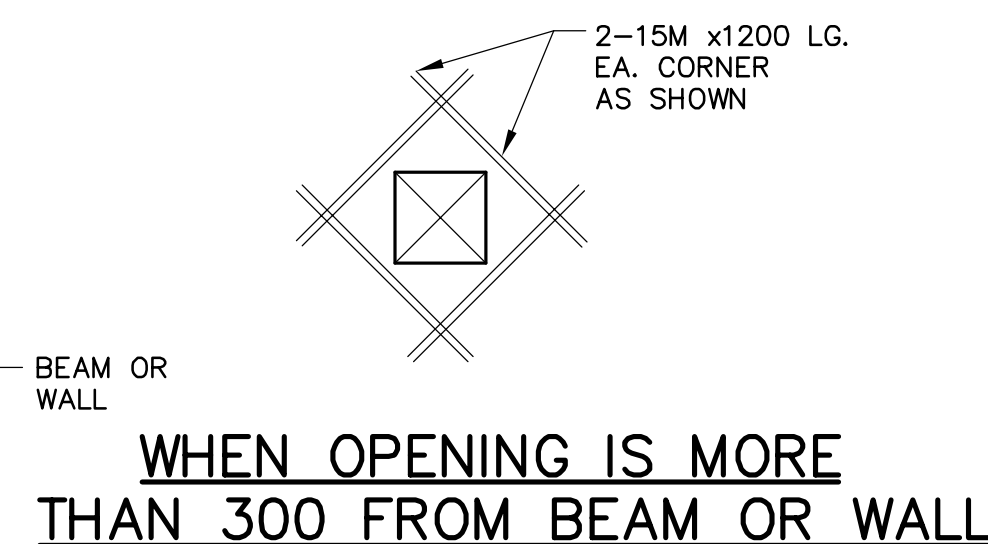
ALUMINUM HSS FRAMED COVER & FRAME DETAIL

SCALE N.T.S.

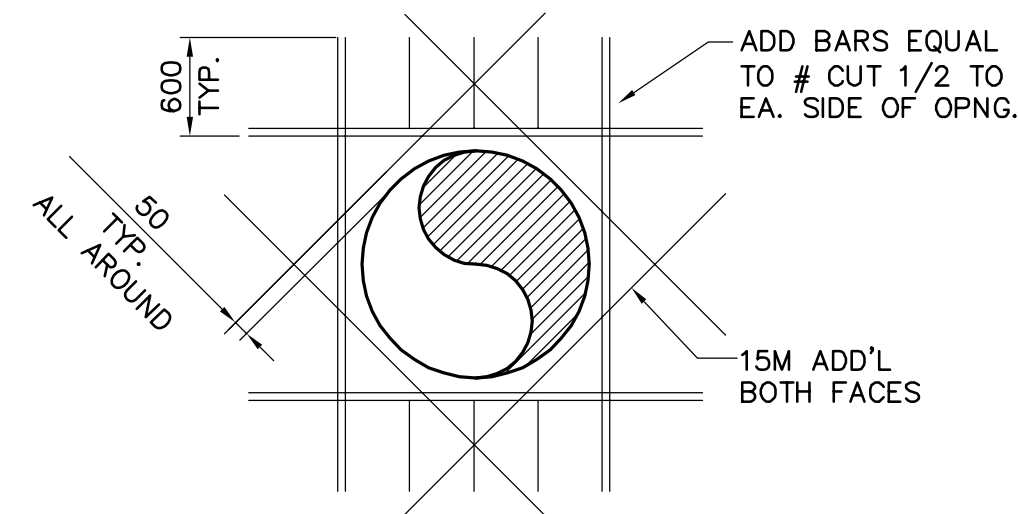
NOTE: REMAINDER AS PER TYPICAL ALUMINUM BOLTED COVER & FRAME DETAIL



PLAN SHOWING EXTRA REINF. AROUND OPENING 150 TO 280

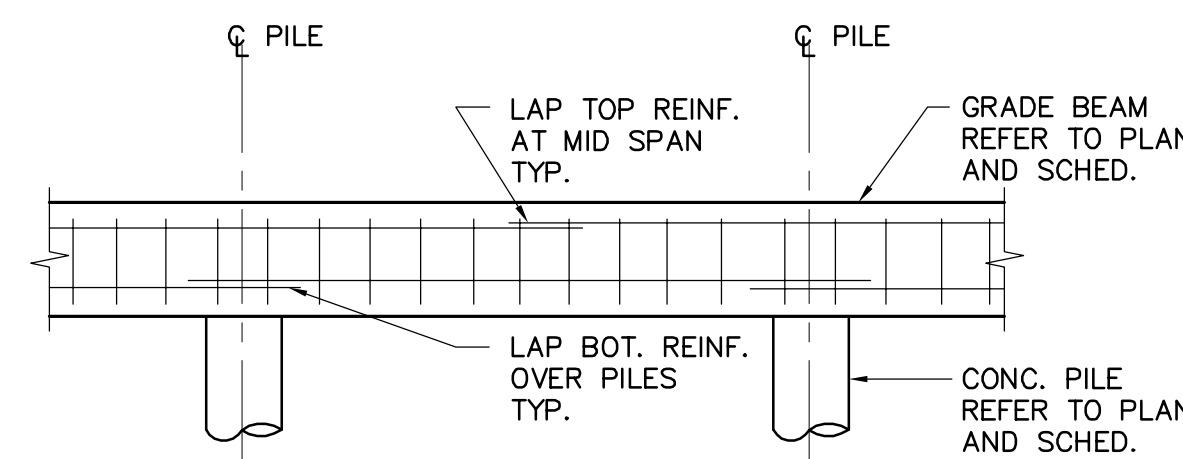


WHEN OPENING IS MORE THAN 300 FROM BEAM OR WALL



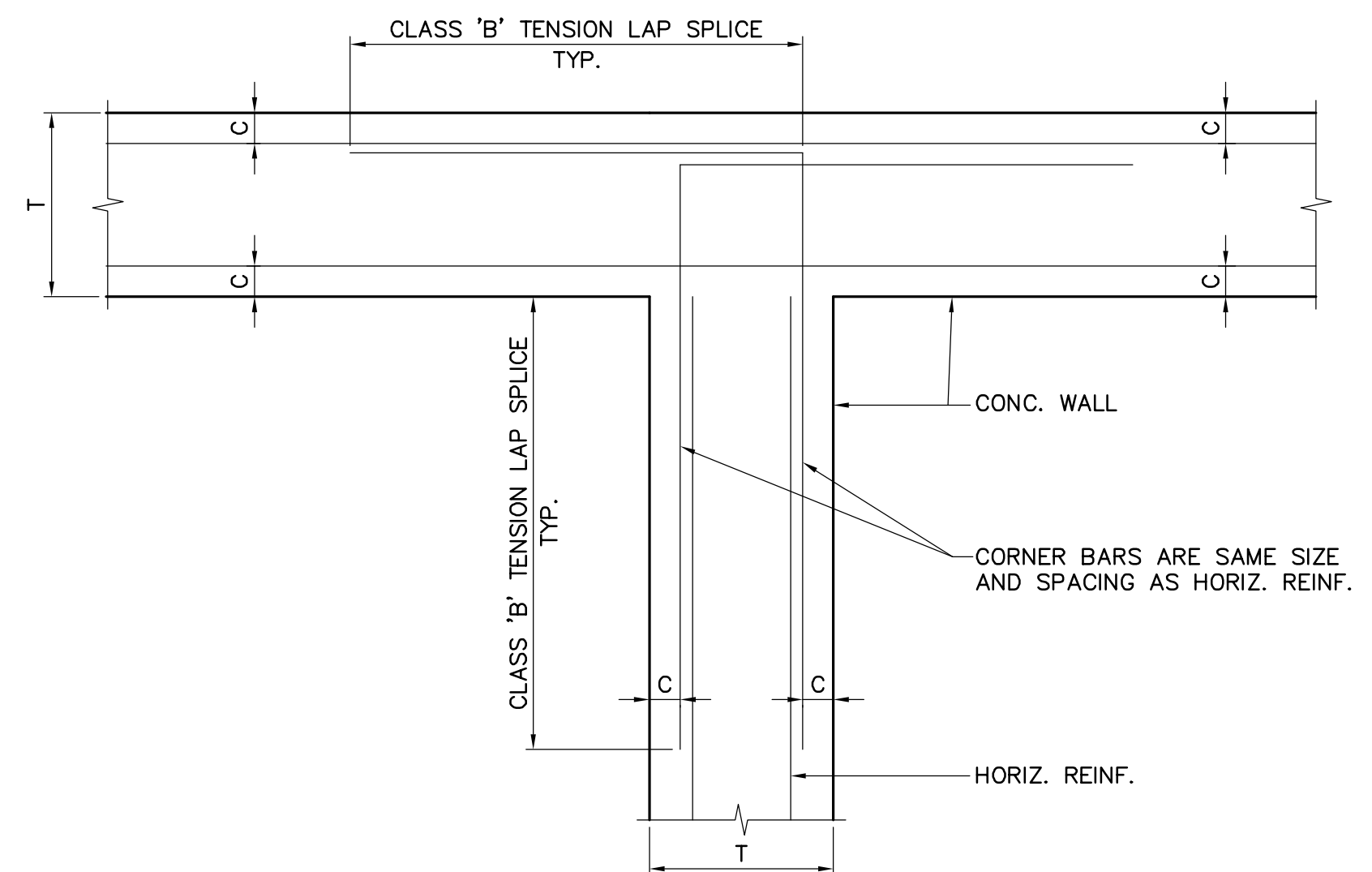
EXTRA REINFORCING AROUND PIPE UP TO 1250Ø MAX. CAST IN WALL OR FLOOR SLAB

SCALE N.T.S.



GRADE BEAM SPLICE DETAIL

SCALE N.T.S.



TYPICAL REINFORCING FOR WALL INTERSECTION

SCALE N.T.S.
 VERTICAL REINFORCING NOT SHOWN. REFER TO SPECIFIC SECTION FOR REINFORCING DETAILS.
 C = CONC. COVER AS SPECIFIED
 T = REFER TO SCHED.

TYPICAL REINFORCING AROUND OPENINGS IN CONCRETE SLAB OR WALL

SCALE N.T.S.

- NUMBER OF REINFORCING BARS TO BE CUT AT OPENING TO BE KEPT AT A MINIMUM. DEFLECT AS MANY BARS AS POSSIBLE AROUND OPENING.
- REINFORCING BARS TO BE KEPT MINIMUM 50 CLEAR OF OPENING.
- CIRCULAR OPENINGS TO BE TREATED IN SAME MANNER AS RECTANGULAR UNLESS OTHERWISE DETAILED.



B.M. ELEV.	EARTH TECH		ENGINEER'S SEAL	THE CITY OF WINNIPEG	
	Earth Tech (Canada) Inc. Winnipeg, Manitoba 204.477.5381		ORIGINAL SIGNED BY	Winnipeg WATER AND WASTE DEPARTMENT	
	DESIGNED BY	RE, MK	CHECKED BY	GGP	CITY FILE NUMBER
	DRAWN BY	C.T.	APPROVED BY	DT	SHEET 9 OF 18
	HOR. SCALE: AS NOTED		RELEASED FOR CONSTRUCTION BY:		CITY DRAWING NUMBER
	VERTICAL SCALE: AS NOTED		T. KJARTANSON		
0	ISSUED FOR TENDER	05/02/18	JEH		
NO. REVISIONS	DATE	BY	DATE	2004/11/04	DATE
				2005-02-18	
			CONSULTANT DRAWING NO.	66303D-CS4.01	
			STRUCTURAL DETAILS		