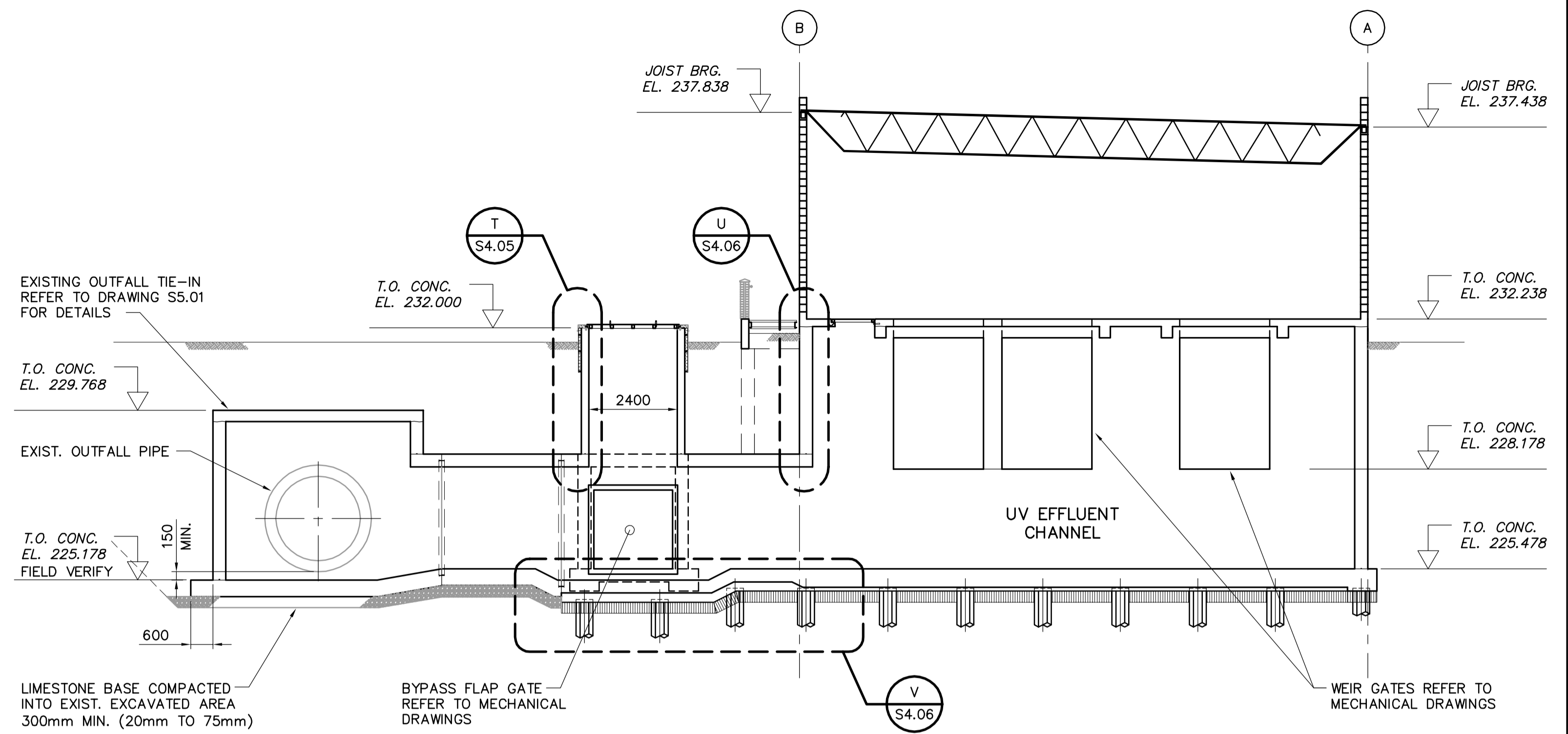
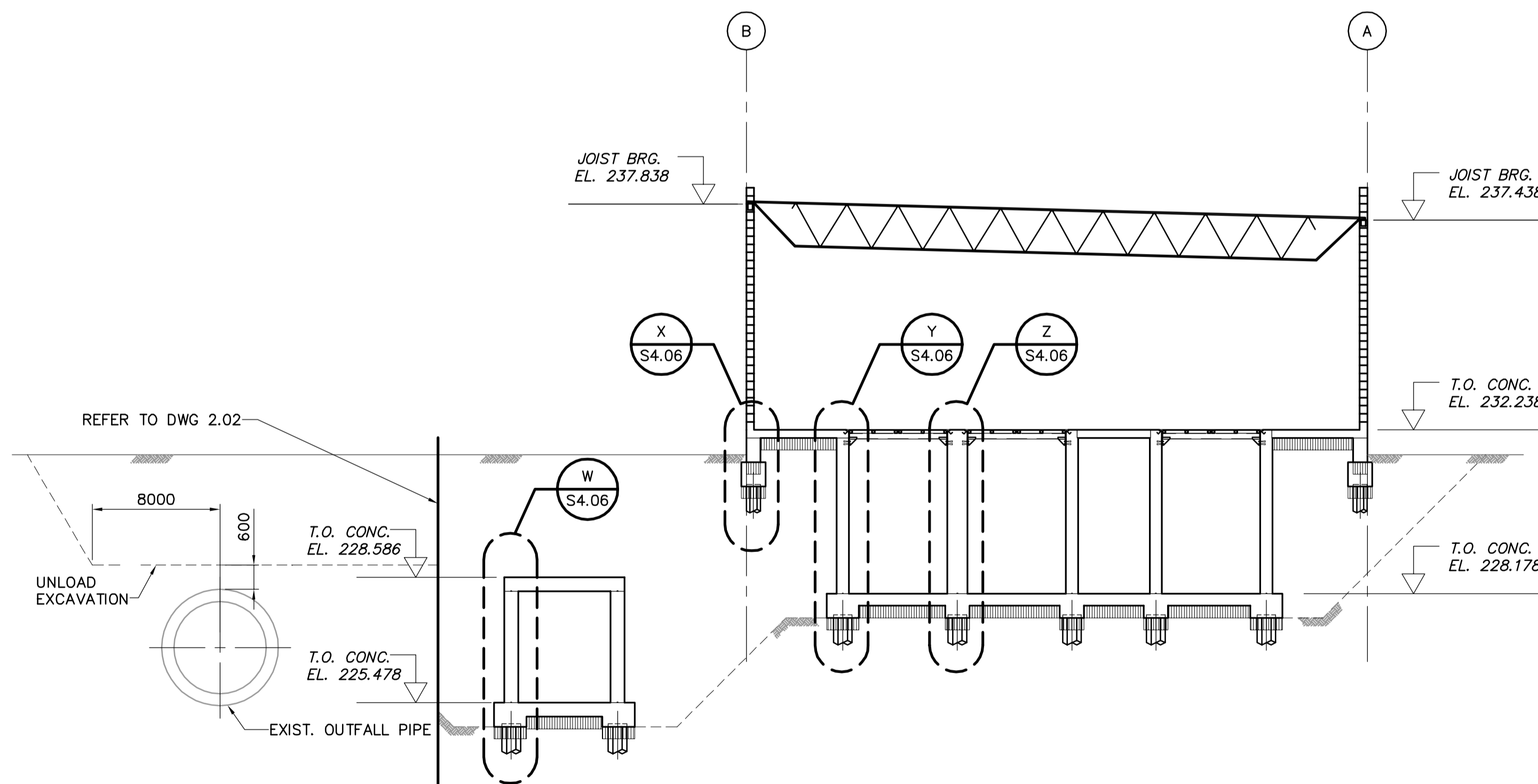


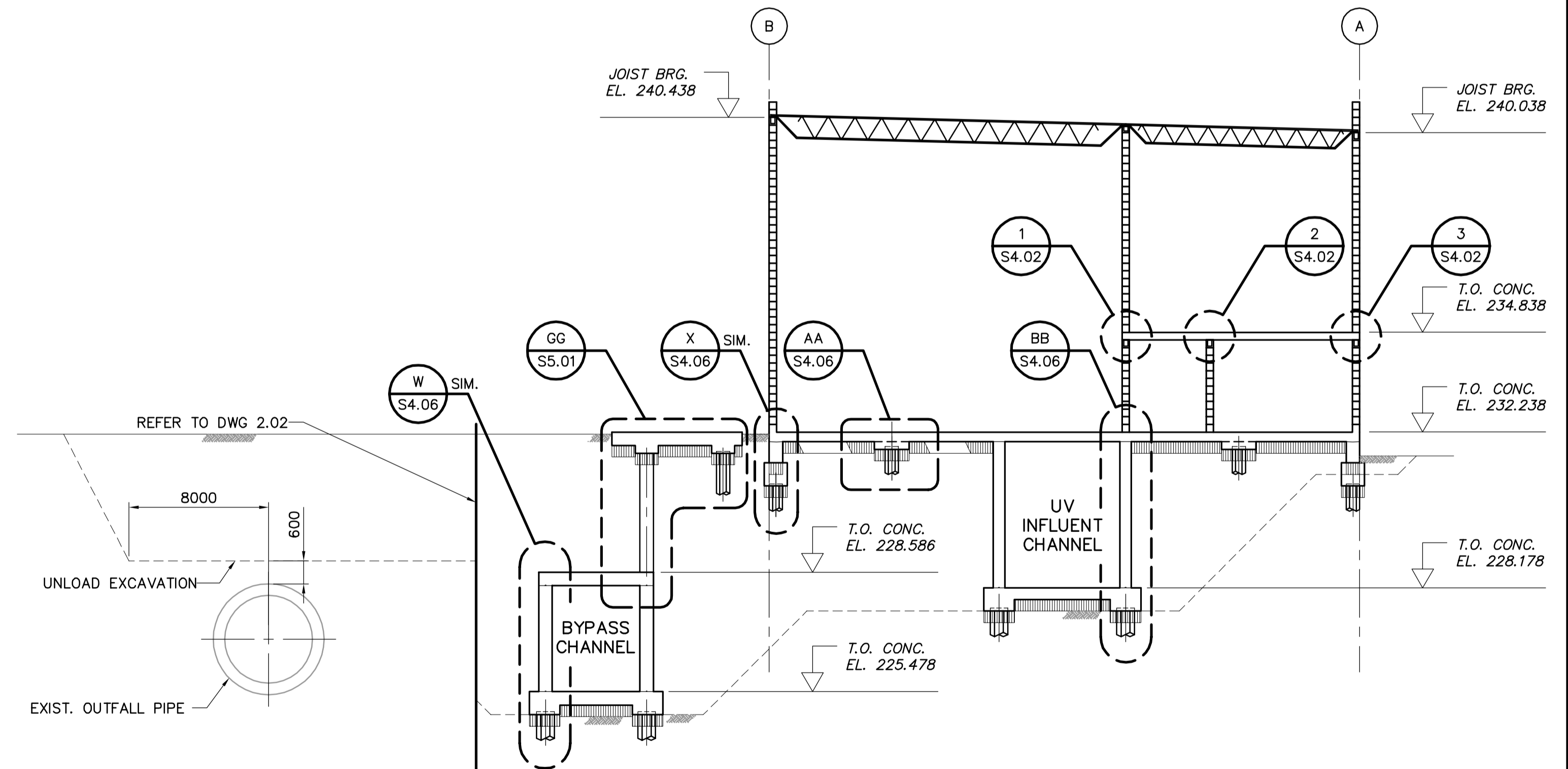
3 SECTION
S2.03 SCALE 1:100



4 SECTION
S2.03 SCALE 1:100



5 SECTION
S2.03 SCALE 1:100



6 SECTION
S2.03 SCALE 1:100



B.M. ELEV.	EARTH TECH		ENGINEER'S SEAL ORIGINAL SIGNED BY R.B. ERIC FEB. 18/05	THE CITY OF WINNIPEG Winnipeg WATER AND WASTE DEPARTMENT		
	Earth Tech (Canada) Inc. Winnipeg, Manitoba 204.477.5381			DESIGNED BY: RE, MK CHECKED BY: GGP	NEWPC - SECONDARY EFFLUENT UV DISINFECTION FACILITY	
					DRAWN BY: C.T. APPROVED BY: DT	CITY FILE NUMBER
				HOR. SCALE: AS NOTED VERTICAL SCALE: AS NOTED		SHEET 8 OF 18
0 ISSUED FOR TENDER 05/02/18 JEH		RELEASSED FOR CONSTRUCTION BY: T. KJARTANSON		CITY DRAWING NUMBER		
NO. REVISIONS DATE BY		DATE 2004/11/08 DATE 2005-02-18		STRUCTURAL BUILDING SECTIONS		
				CONSULTANT DRAWING NO. 66303D-CS3.02		