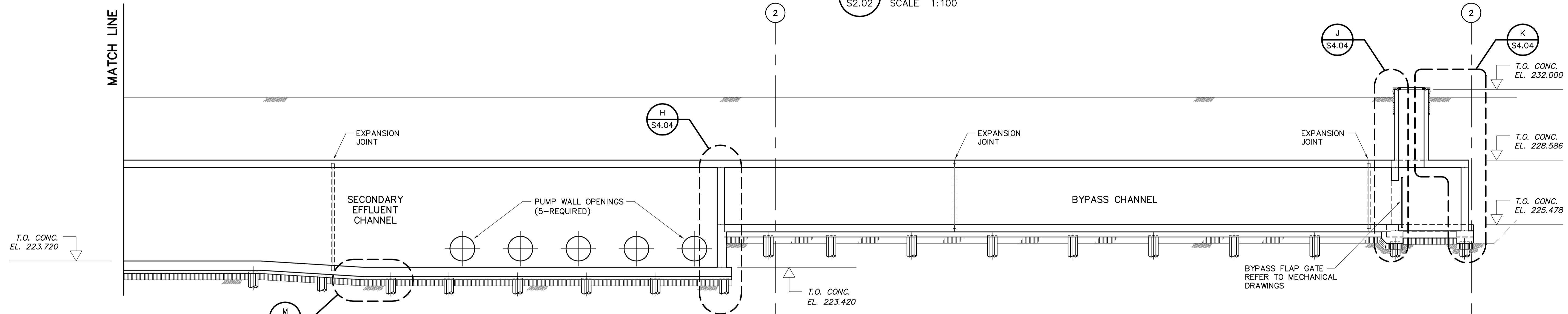
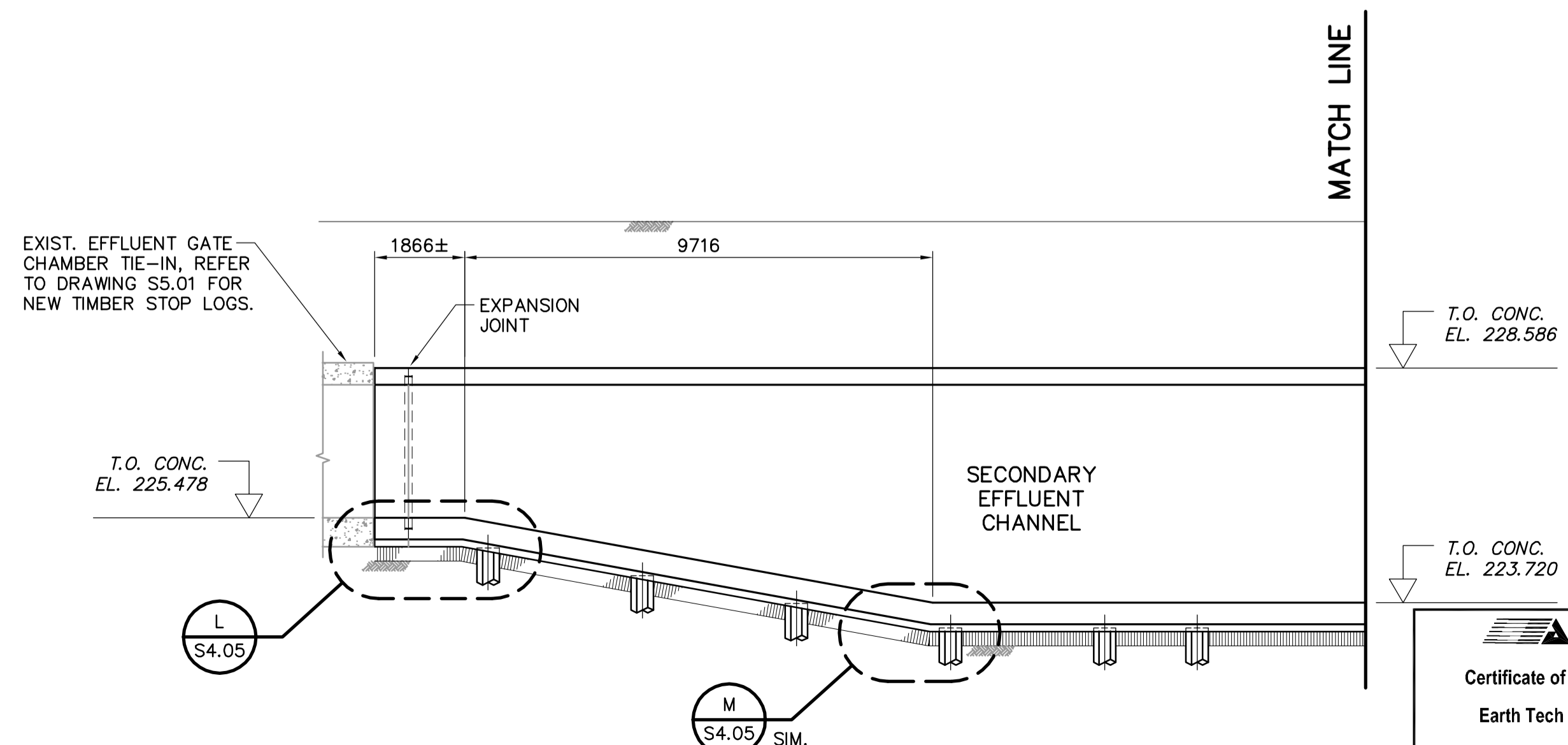


**1 SECTION**  
S2.02 SCALE 1:100



**2 SECTION**  
S2.02 SCALE 1:100



MATCH LINE

MATCH LINE

EXIST. EFFLUENT GATE CHAMBER TIE-IN, REFER TO DRAWING S5.01 FOR NEW TIMBER STOP LOGS.

**APEGN**  
Certificate of Authorization  
Earth Tech Canada Inc.  
No. 730 Expiry: April 30, 2005

B.M. ELEV.	<b>EARTH TECH</b>		ENGINEER'S SEAL ORIGINAL SIGNED BY R.B. ERIC FEB. 18/05	<b>THE CITY OF WINNIPEG</b> Winnipeg WATER AND WASTE DEPARTMENT	
	<small>Earth Tech (Canada) Inc. Winnipeg, Manitoba 204.477.5381</small>			<b>NEWPCC - SECONDARY EFFLUENT UV DISINFECTION FACILITY</b>	
	DESIGNED BY RE, MK	CHECKED BY GGP	CONSULTANT DRAWING NO. 66303D-CS3.01	CITY FILE NUMBER	
	DRAWN BY C.T.	APPROVED BY DT		SHEET 7 OF 18	
	HOR. SCALE: AS NOTED VERTICAL SCALE: AS NOTED		RELEASED FOR CONSTRUCTION BY: T. KJARTANSON	CITY DRAWING NUMBER	
0	ISSUED FOR TENDER	05/02/18	JEH	STRUCTURAL BUILDING SECTIONS	
NO.	REVISIONS	DATE	BY	DATE	2004/11/04
				DATE	2005-02-18