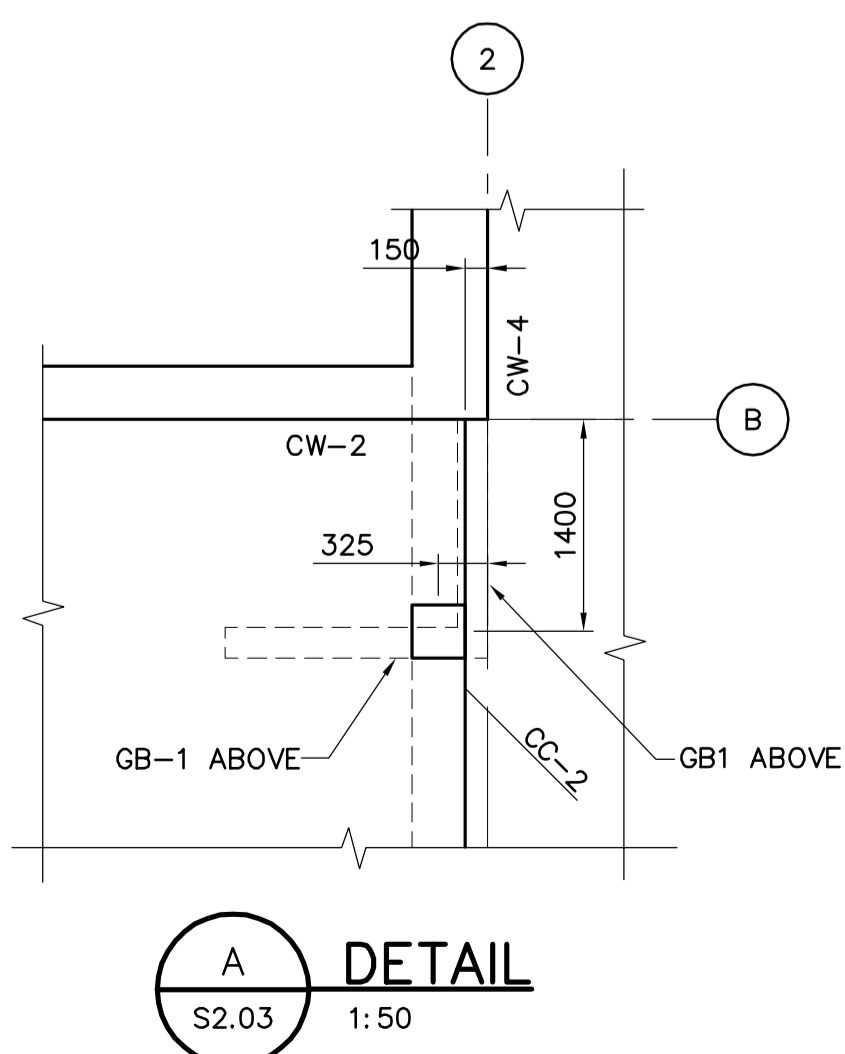


PLAN ABOVE ELEVATION 231.620
SCALE: 1:150

NOTES:

1. FOR GENERAL NOTES AND SCHEDULES REFER TO DRAWING CS1.01.
2. FOR STANDARD DETAILS REFER TO DRAWINGS CS4.01, CS4.02, AND CS4.03.



B.M. ELEV.	EARTH TECH		ENGINEER'S SEAL ORIGINAL SIGNED BY R.B. ERIC FEB. 18/05	THE CITY OF WINNIPEG Winnipeg WATER AND WASTE DEPARTMENT	
	<small>Earth Tech (Canada) Inc. Winnipeg, Manitoba 204.477.5381</small>			NEWPCC - SECONDARY EFFLUENT UV DISINFECTION FACILITY	
DESIGNED BY RE, MK	CHECKED BY GGP	RELEASSED FOR CONSTRUCTION BY: T. KJARTANSON		CITY FILE NUMBER SHEET 4 OF 18	
DRAWN BY C.T.	APPROVED BY DT				
HOR. SCALE: AS NOTED VERTICAL SCALE: AS NOTED		CONSULTANT DRAWING NO. 66303D-CS2.03		CITY DRAWING NUMBER	
NO. REVISIONS	DATE BY	DATE	DATE		
0	ISSUED FOR TENDER 05/02/18 JEH	2004/11/04	2005-02-18	STRUCTURAL PLAN ABOVE ELEVATION 231.620	