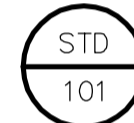
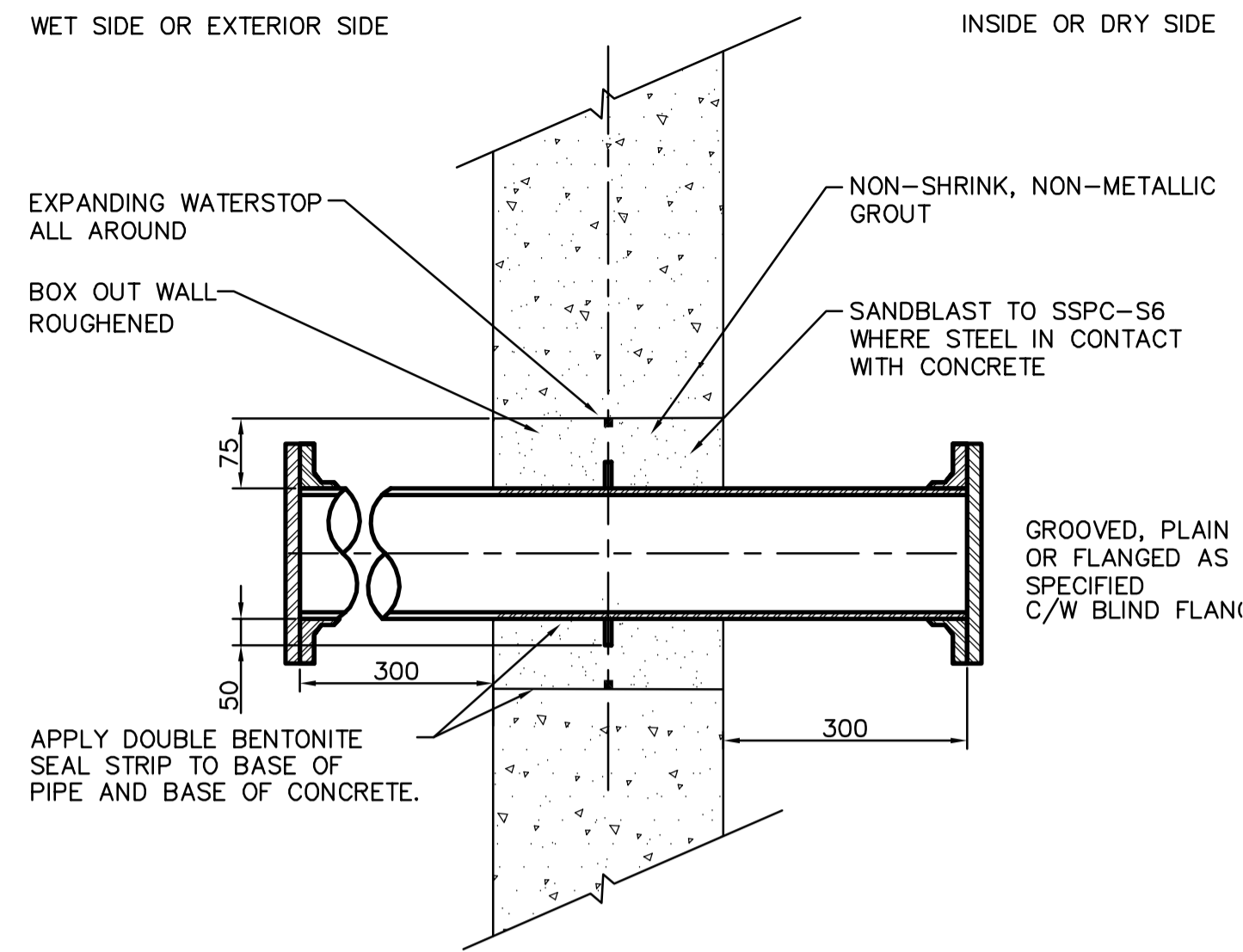


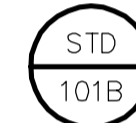
- APPLICATION NOTES**
1. CONCRETE WALL
 2. STEEL OR STAINLESS STEEL PIPE.
 3. CONDITION
 - a) WET TO DRY
 - b) WET TO WET
 - c) INTERIOR TO EXTERIOR
 4. NO TRANSVERSE MOVEMENT ALLOWED
 5. LIQUID SIDE MUST PASS LEAKAGE TEST TO WHICH STRUCTURE IS SUBJECTED.
 6. SAME DETAIL FOR VERTICAL OR HORIZONTAL WALL.
 7. PIPE MAY BE CAST IN PLACE WITHIN THE FORMWORK, WITH APPROVAL FROM THE ENGINEER.



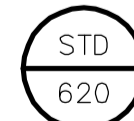
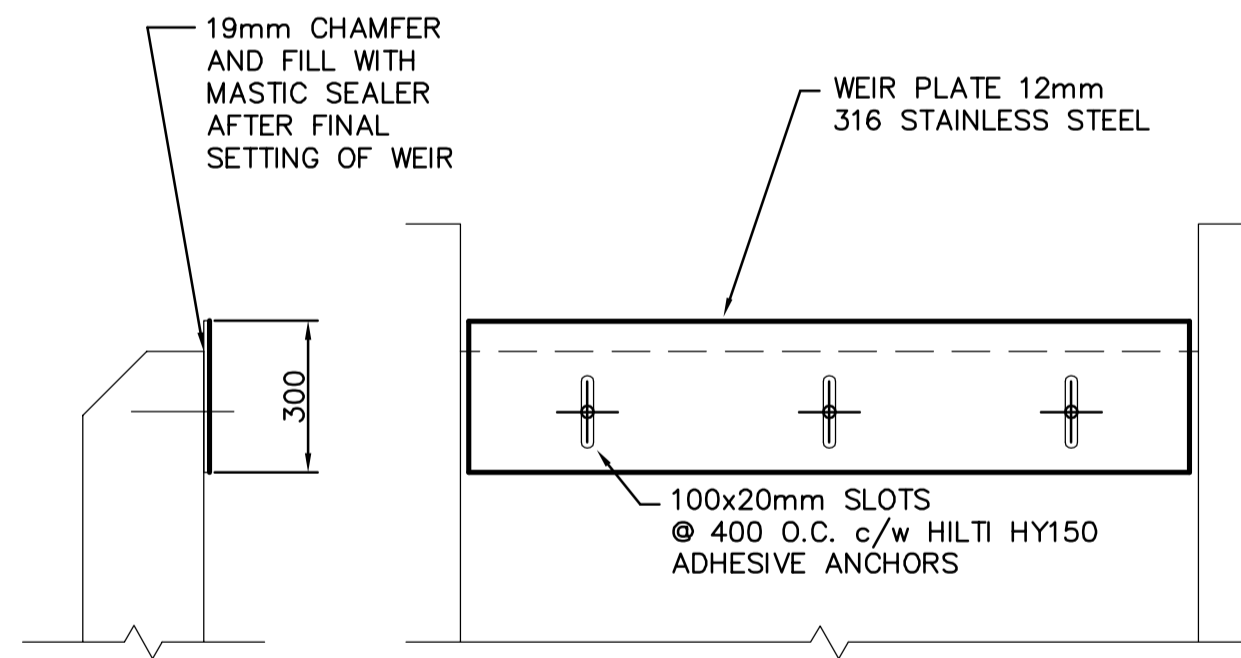
**TYPE 1
WALL PENETRATION**



- APPLICATION NOTES**
1. CONCRETE WALL
 2. STEEL OR STAINLESS STEEL PIPE.
 3. CONDITION
 - a) WET TO DRY
 - b) WET TO WET
 - c) INTERIOR TO EXTERIOR
 4. NO TRANSVERSE MOVEMENT ALLOWED
 5. LIQUID SIDE MUST PASS LEAKAGE TEST TO WHICH STRUCTURE IS SUBJECTED.
 6. SAME DETAIL FOR VERTICAL OR HORIZONTAL WALL.
 7. PIPE MAY BE CAST IN PLACE WITHIN THE FORMWORK, WITH APPROVAL FROM THE ENGINEER.



**TYPE 1B
WALL PENETRATION - BLIND**



WEIR PLATE DETAIL



B.M. ELEV.	EARTH TECH <small>Earth Tech (Canada) Inc. Winnipeg, Manitoba 204.477.5381</small>		ENGINEER'S SEAL	THE CITY OF WINNIPEG Winnipeg WATER AND WASTE DEPARTMENT
	DESIGNED BY	CHECKED BY DT	ORIGINAL SIGNED BY	
	DRAWN BY KJW	APPROVED BY DT	D.J. TANIGUCHI	
	HOR. SCALE:	RELEASED FOR CONSTRUCTION BY:	FEB. 18/05	
0 ISSUED FOR TENDER	05/02/18	JEH	T. KJARTANSON	NEWPCC - SECONDARY EFFLUENT UV DISINFECTION FACILITY
NO. REVISIONS	DATE	BY	DATE	PROCESS STANDARD DETAILS
			2004/11/03	2005-02-18
			CONSULTANT DRAWING NO. 66303D-CP1.01	CITY FILE NUMBER
				SHEET # OF #S
				CITY DRAWING NUMBER